

NO TROUBLE FOUND - NO CORRECTIVE ACTION TAKEN

Category	Major	Minor (No Corrective Action Taken)
Unit Not Determined	980	
		01 Suspended or Transferred to Someone Else - IBM Initiated
		02 Trouble Cannot Be Duplicated
		03 This Unit Not at Fault, Action Follows on Another Unit
		04 Trouble is too Intermittent to Identify
		05 Action Suspended - At Customer Request
		99 Other (Explain on back of IPAR)

NOTE: Do not use Major Code 980 if a corrective action was taken or the problem area is known. Use the proper Major/Minor/Cause Codes for that functional area even if the fix cannot be verified. Use Major Code 980 only when no corrective action was taken and no Functional Unit can be identified.

COMMENTS AND REFERENCE CODE ON BACK OF IPAR ARE REQUIRED.

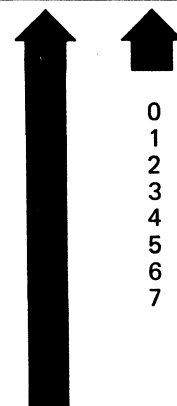


4300 Functional Unit Code Guide

MAINTENANCE PACKAGE EFFECTIVENESS

NOTE: RECORD THE REFERENCE CODE USED TO DIAGNOSE THE PROBLEM IN THE ERROR CODE FIELD ON THE BACK OF THE IPAR.

CAUSE	FIELD
-------	-------



FIELD REPLACEMENT UNIT (FRU ISOLATION)

0	No FRU Called Out or No FRU Required
1	1st FRU Called Out Fixed Problem or Completed Call
2	2nd FRU Called Out Fixed Problem or Completed Call
3	3rd FRU Called Out Fixed Problem or Completed Call
4	4th FRU Called Out Fixed Problem or Completed Call
5	5th or more FRU Call Out Fixed Problem or Completed Call
6	Reseated Card or Cable or Swapped FRU
7	FRU Replaced, Not Called Out by Maintenance Package

PROBLEM RESOLVED BY:

No Assistance Used:

1	Maintenance Analysis Procedures (MAPS)
2	Data Bank Search Only
8	On-Site Documentation or Other On-Site Activities (No Assistance Required)
9	No Trouble Found (No Assistance Used)

Assistance Used:

3	Regional Designated Specialist (RDS)
4	Field Support Center (FSC) or IBM Support Center
5	Branch Support Training (BST)
6	Physical Assistance from Plant Site (Including FSC Reps)
7	Other Product Specialist (I/O, Channel, etc.) or PSR

Serial No. _____

Z229-2319-0

Installation Date _____

Instructions for Using This Guide

For problems where the unit and cause are known or a corrective action was taken:

1. Select the correct Major unit. Record the three-digit Major Code and the two-digit Minor code. For all logic cards, a card location table is used to select the Minor Code.

Example: 01AA1P2 card would be a Major Code of 111 and a Minor Code of 23.

2. Record the reference code in the error code field, and comments on the back of the IPAR. (Complete comments within 50 characters.)

For problems where the unit and cause are not known and no corrective action was taken:

1. For intermittent problems where a symptom or a log is available, record a Major Code of 980, select the appropriate Minor Code and write in Reference Code and comments on the back of the IPAR.
2. For intermittent problems where NO error or log is indicated, record a Major Code of 980, the appropriate Minor Code, and write in comments on the back of the IPAR.
3. Issue and record problem number as shown below.
4. Problem Determination to identify the problem to hardware or software should be coded as shown under the Customer Responsibility Section.

Problem Number (Back of IPAR Document)

1. The Problem Number Field on the back of the IPAR should be completed on *all incomplete and NTF* service calls, and the subsequent complete call.
2. The guidelines for Problem Number Recording are as follows:
 - a. On an NTF or incomplete service call, if NO incident is opened, the CE will assign a problem number, that will consist of four numeric characters representing the date of the first occurrence of this problem; e.g., Feb. 20 would be 0220.
 - b. If an incident is NOT opened on the first service call of a problem, the CE-assigned problem number should be used on all subsequent service calls if you are working on the same problem.
 - c. If an incident IS opened on the first service call of a problem, record the incident number in the Problem Number Field. If the incident number is less than 4 characters, fill with leading zeros. This number should be used on all subsequent service calls related to this problem.

NOTE: For programming troubles, refer to Programming Service Activity Report Booklet, Form Number Z229-0097.



International Business Machines Corporation
Data Processing Division
1133 Westchester Avenue, White Plains, New York 10604
(U.S.A. Only)

IBM World Trade Corporation
821 United Nations Plaza, New York, New York 10017
(International)

Printed in U.S.A.

IBM Corporation, Media Center, Rochester, Minnesota

LOGIC

Major Minor
01AA1 - 111 Logic Card Select Minor Code by Card Location from Table
01AA2 - 112
01AB1 - 121
01AB2 - 122
01AC1 - 131
01AC2 - 132
01AD1 - 141
01AD2 - 142

03AA1 - 311

COLUMN

	A	B	C	D	E	F	G	H	J	K	L	M	N	P	Q	R	S	T	U	V	W	X
R	2	1	1	1	1	1	1	1	1	1	2	2	2	2	2	2	2	2	2	3	3	2
O	3	0	1	2	3	4	5	6	7	8	9	0	1	2	3	4	5	6	7	8	9	0
W	4	5	5	5	5	5	5	5	5	5	6	6	6	6	6	6	6	6	6	7	7	4
	5	0	1	2	3	4	5	6	7	8	9	0	1	2	3	4	5	6	7	8	9	0
	A	B	C	D	E	F	G	H	J	K	L	M	N	P	Q	R	S	T	U	V	W	X

- | | |
|------------------------------|------------------------------------|
| 06 Top Card Connector | 87 Terminator |
| 07 Board | 88 Super Grouper |
| 08 Cable/Connector/Restraint | 89 Wire |
| 09 Capacitor | 90 Set Redundant Bit |
| 86 Interface Cable/Connector | 99 Other (explain on back of IPAR) |

NOTE: For IPS cards, see Power Major.

POWER

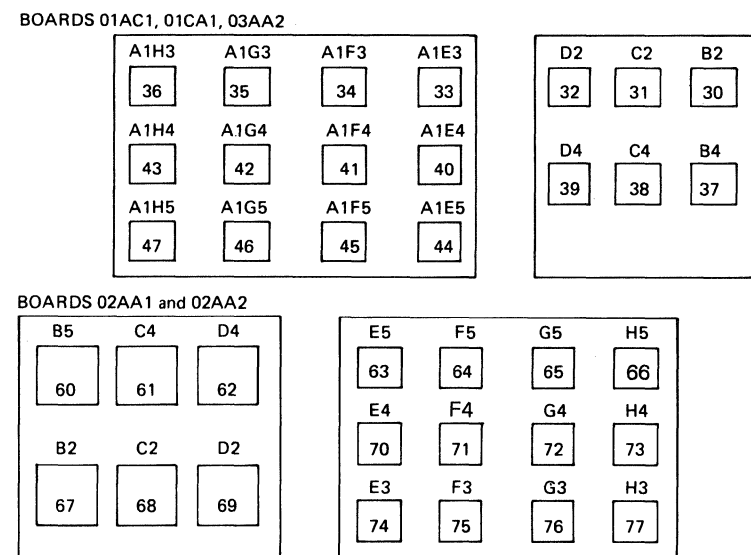
Category	Major	Category	Major
PS 101	601	TR 200	630
PS 102	602	TR 201	631
PS 103	603	TR 202	632
PS 104	604	TR 203	633
PS 105	605	TR 204	634
PS 200	620	TR 205	635
PS 201	621	TR 206	636
PS 202	622	TR 301	641
PS 203	623	AC Distribution	652
PS 204	624	DC Distribution	653
PS 205	625	SPI (Power Intf.) Cards	654
PS 206	626	IPS Test Station	655
PS 301	629	IPS Boards	
TR 01	609	Select Minor Code by Card Location	
TR 101	610	from Appropriate IPS Board Layout	
TR 102	611	01AC1	600
TR 103	613	01CA1 (4341)	606
TR 104	614	02AA1	607
TR 105	615	02AA2	608
TR 106	616	03AA2	619
TR 107	617		

NOTES: 1. For Hard Wired Sequence cards, see Logic Major.
2. Select Power Minors from below.

POWER

- MINOR
- 04 Airflow Sensor
 - 08 Cable/Connector/Restraint
 - 11 Contactor
 - 13 Circuit Breaker
 - 25 Fuse/Fuseholder
 - 50 Internal Power Supply Card
 - 53 Relay
 - 58 Replaced Asm as FRU
 - 59 Thermal Sensor
 - 89 Wire
 - 99 Other (explain on back of IPAR)

IPS BOARD LAYOUT



SERVICE PANELS

Category	Major	Minor
CE Panel (Located on 01A Gate)	351	03 Button
		08 Cable/Connector/Restraint
		30 Card Assembly
		37 Lamp/Indicator/Lamp Holder
		39 LED Display Assembly
		60 Switch
		99 Other (explain on back of IPAR)

BASE Covers/Blowers/Non-Functional Units

Category	Major	Minor
Base	101	05 Air Moving Device/Filter
		08 Cable/Connector/Restraint
		18 Cover/Frame
		26 Ground Strap/ESD Device
		99 Other (explain on back of IPAR)

CUSTOMER RESPONSIBILITY - Use Only with Service Code 14, 30, or with Service Code 01 for Problem Determination

Category	Major	Minor
Customer Responsibility	870	30 ESD
		34 Humidity
		42 Operator Error
		46 Power
		48 Procedure
		61 Temperature
		99 Other (explain on back of IPAR)

NOTE: For Service Code 01 *Problem Determination*, record as follows:

CE Doing PD on Software Problem	Major	Minor	Cause
(Use SC 05 when assisting PSR on Software Problem),	870	50	00

MICROCODE - Logic Error in Microcode (Use 2D Flexible Diskette Major/Minor when Diskette is Replaced)

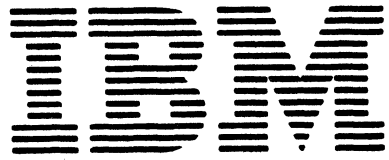
Category	Major	Minor
Functional Microcode	900	10 Patch Applied (Developed for this occurrence)
Diagnostic Microcode	901	11 Patch Applied (Existed Before this occurrence)
		12 Preventive Patching
		13 Feature Incorrect or Missing
		14 New EC Level Required
		99 Other (Explain on back of IPAR)

2D FLEXIBLE DISKETTE - Error Due to Configuration, Readability, or Physical Damage to Diskette.

Category	Major	Minor
Processor Functional Diskette	834	14 Physical Damage
User Flexible Diskette	835	16 System Configuration Error
Processor Diagnostic Diskette	836	17 Unreadable - No Physical Damage
		99 Other (Explain on back of IPAR)

DISKETTE DRIVE 2D - Includes Only the Drive Assembly

Category	Major	Minor
System Diskette Drive	822	02 Belt
User Diskette Drive	832	04 Card, File Control
		05 Collet Assembly
		06 Cover Assembly
		10 LEDs/Photo Transistor
		11 Motor/Drive
		15 Idler Assembly
		18 Diskette Drive Assembly
		43 Head Assembly
		82 Cable/Connectors/Restraint
		99 Other (Explain on back of IPAR)



Maintenance Library

4341

**Processor
Parts Catalog**

PREFACE

This Parts Catalog contains listings and illustrations of all replaceable assemblies, subassemblies, and detail parts released on or before January 1980.

Second Edition, February 1980

This is a major revision of, and obsoletes, S124-0152-0.

The drawings and specifications contained herein shall not be reproduced in whole or in part without written permission.

IBM has prepared this maintenance manual for the use of IBM customer engineers in the installation, maintenance and repair of the specific machines indicated. IBM makes no representations that it is suitable for any other purpose.

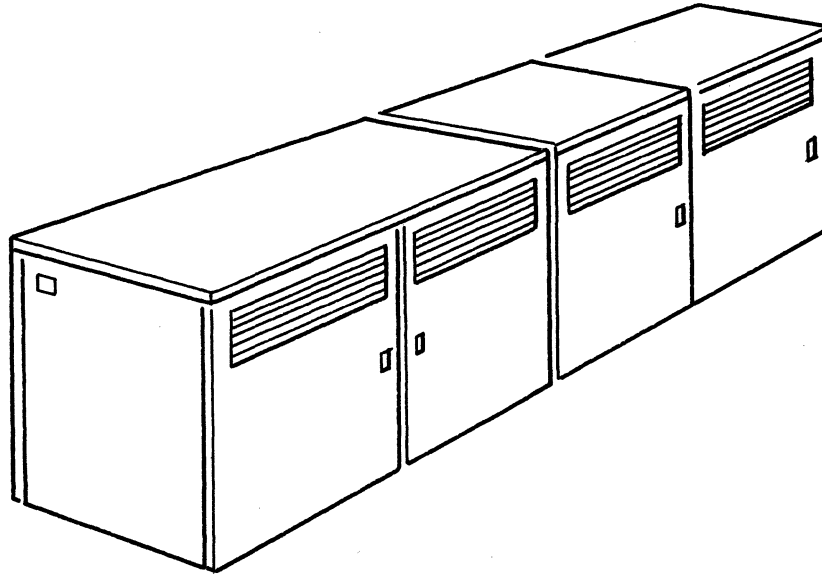
Information contained in this manual is subject to change from time to time. Any such changes will be reported in subsequent revisions or through the System Library Subscription Service.

It is possible that this material may contain reference to, or information about, IBM products (machines and programs), programming, or services that are not announced in your country. Such references or information must not be construed to mean that IBM intends to announce such IBM products, programming, or services in your country.

Requests for copies of IBM publications should be made to your IBM representative or to the IBM branch office servicing your locality.

A form for reader's comments is provided at the back of this publication. If the form has been removed, comments may be addressed to IBM System Products Division, Dept. K10, P.O. Box 6, Endicott, NY 13760. IBM may use or distribute any of the information you supply in any way it believes appropriate without incurring any obligation whatever. You may, of course, continue to use the information you supply.

HOW TO USE THIS PARTS CATALOG



- To find a part in this catalog, go to the Visual Index pages V-1 through V-8.

LOCATE THE ILLUSTRATION ON THE VISUAL INDEX PAGE CONTAINING THE PART THAT YOU ARE INTERESTED IN. THEN GO TO THE FIGURE AND PAGE INDICATED FOR THE SPECIFIC PART NUMBER.

- For additional information on catalog structure, see page ii.
- For Cable Assemblies and Component Parts, see page 73.
- For NUMERICAL LISTING of all part numbers, see pages X-1 through X-7.

GLOSSARY

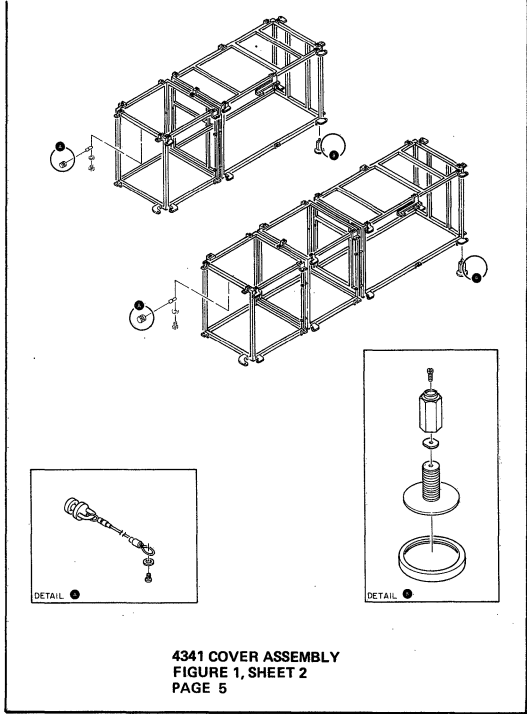
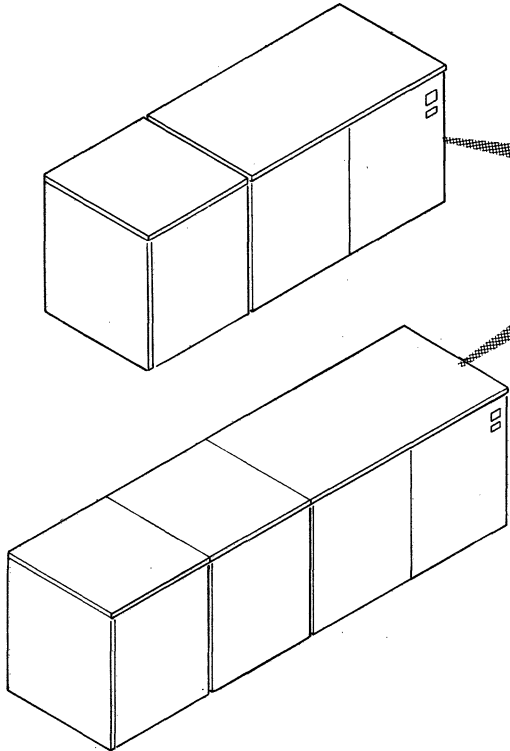
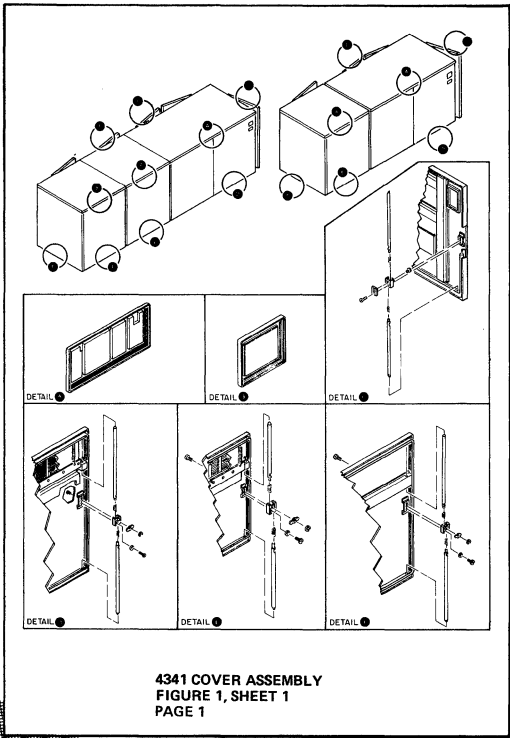
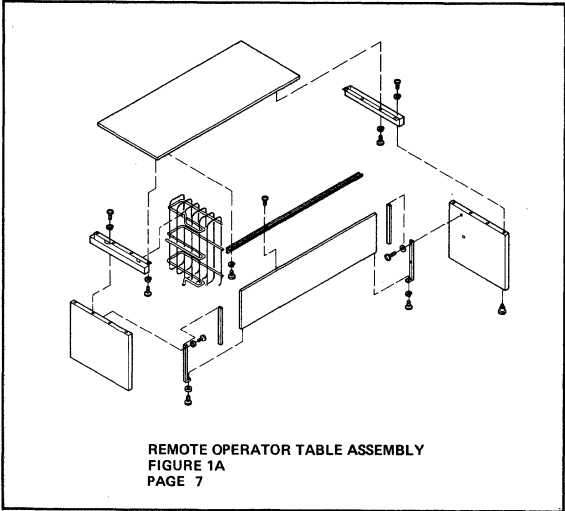
1 **INDENTURE** The indentation of items under the numerals 1 through 4 at the head of the Description column shows the relationship between assemblies, subassemblies and detail parts. For example:

(No dot) **MAIN ASSEMBLY**
 (One dot) ● Detail parts of main assembly
 (One dot) ● Assembly within main assembly
 (Two dot) ● ● Detail part of one dot assembly
 (Two dot) ● ● Assembly within one dot assembly
 (Three dot) ● ● ● Detail parts of two dot assembly

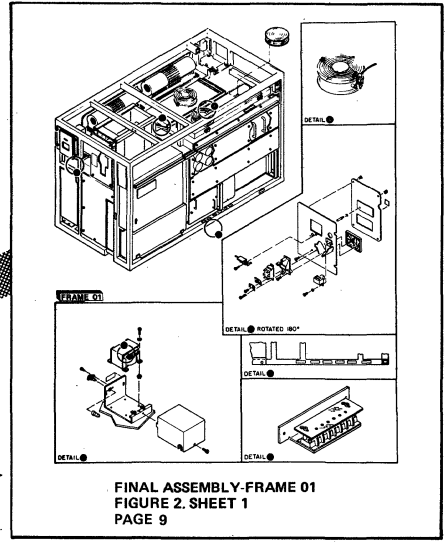
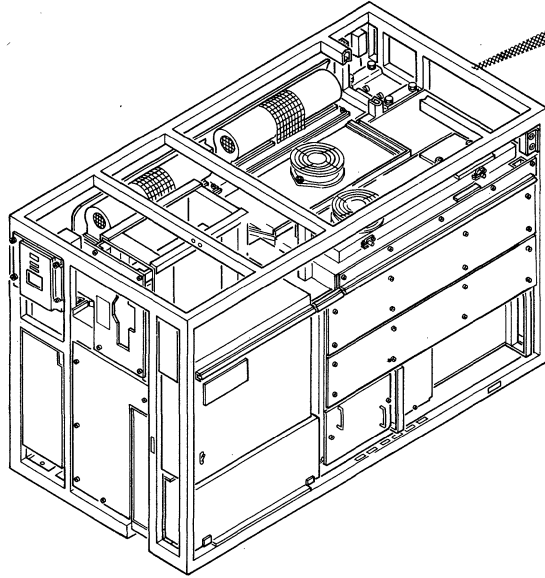
2 **AR** The notation AR in the Units Per Asm column indicates that the quantity of the part is used as required.

3 **SIMILAR ASSEMBLIES** If two or more assemblies contain a majority of identical parts, they are combined in the same listing. Parts common to assemblies are illustrated and listed by one index number. Parts peculiar to one or the other of the assemblies are listed separately and identified by a descriptive trailer line.

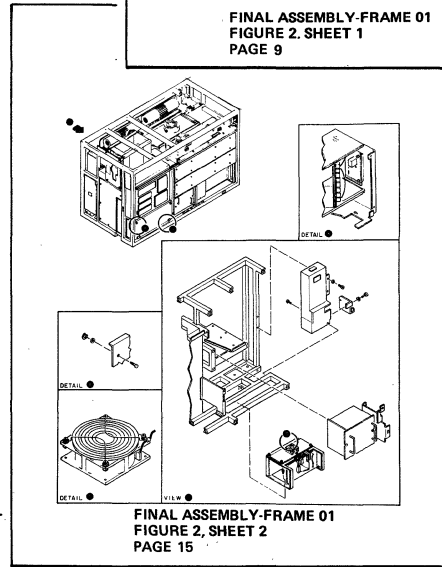
FIGURE - INDEX NUMBER	PART NUMBER	UNITS PER ASM.	DESCRIPTION			
			1	2	3	4
22 -			TRANSPORT AND VACUUM ASM THIS ASSEMBLY CANNOT BE ORDERED FOR REPLACEMENT, SEE LIST 2-252 FOR NEXT HIGHER ASM			
- 1	1846187	1	●	DOOR ASSEMBLY, VACUUM COLUMN USED ON MODELS 6 AND 8		
- 1	1846188	1	●	DOOR ASSEMBLY, VACUUM COLUMN USED ON MODEL 4 SEE LIST 23A FOR DETAIL BREAKDOWN		
- 2	55918	5	●	SCREW, MACH BD HD- 10-32 X 0.625 LG		
- 3	45690	5	●	WASHER, FL- 0.203 ID X 0.408 OD		
- 4	2512946	AR	●	SHIM, DOOR VAC COLUMN 0.015 THK		
- 4	2512948	AR	●	SHIM, DOOR VAC COLUMN 0.030 THK		
- 5		AR	●	PNEUMATIC HOSES TRANSPORT ASM SEE LIST 24 FOR DETAIL BREAKDOWN		
- 9	2523727	1	●	DISC, DECORATIVE		
- 10	1767707	1	●	COVER		
- 11	322562	3	●	SCREW, BD HD- 10-32 X 2.000 INCHES LG		
- 12	1767705	1	●	CAM		
- 13	1766920	1	●	SPRING, COMP 1.190 OD X 2.750 LG		
- 14	1767720	1	●	HUB ASSEMBLY		
- 15	356742	3	● ●	CLAMP, 0.375 ID X 0.173 MTG HOLE		
- 16	5489002	3	● ●	SCREW, MACH BD HD- 6-32 X 0.250 LG		
- 17	1090873	6	● ●	LOCKWASHER, SPLIT- 0.168 ID X 0.296 OD		
- 18	1767703	3	● ●	ROLLER, TRIPLE		
- 19	1767711	3	● ●	ROLLER, SINGLE		



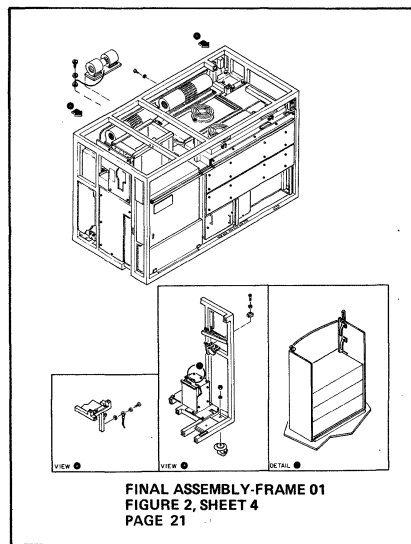
CABLE ASSEMBLIES
WITH COMPONENT PARTS
FIGURE 21 (4 SHEETS)
PAGE 73



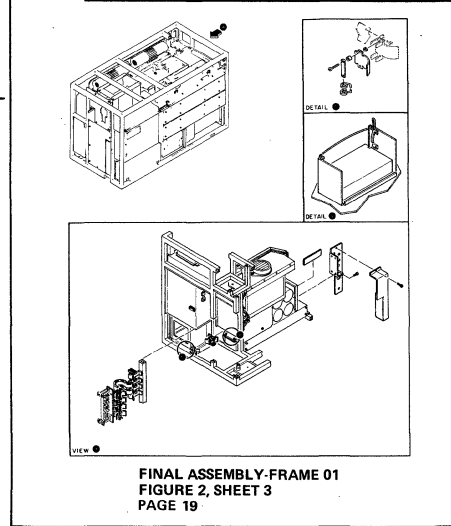
FINAL ASSEMBLY-FRAME 01
FIGURE 2, SHEET 1
PAGE 9



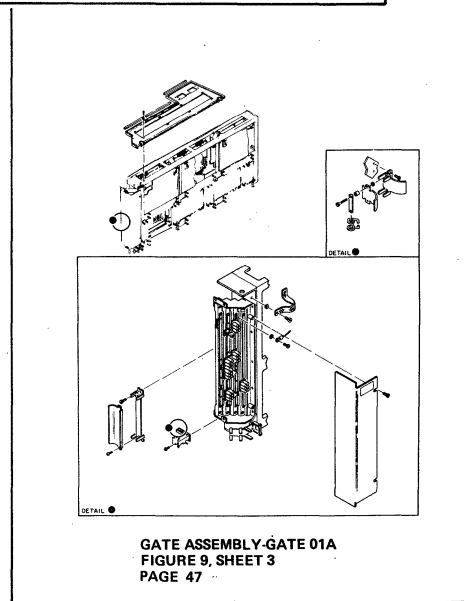
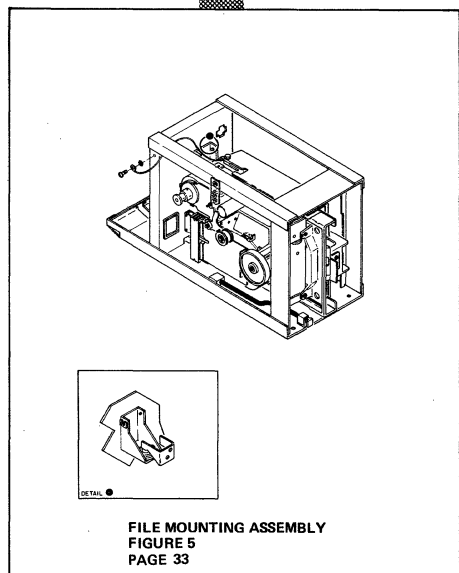
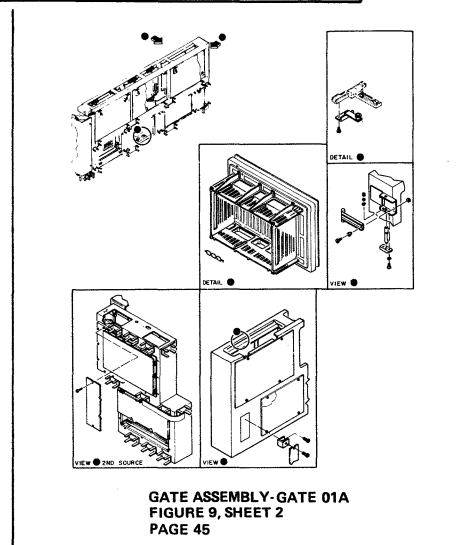
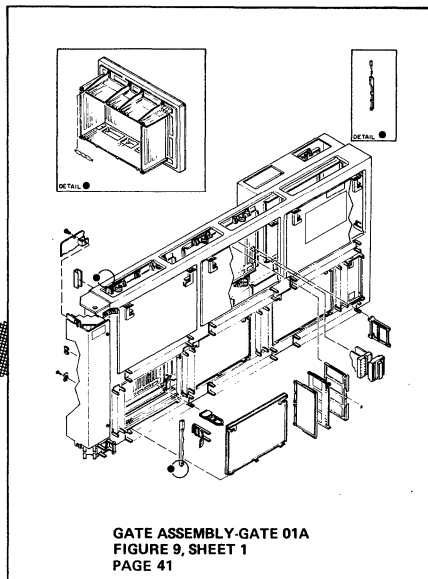
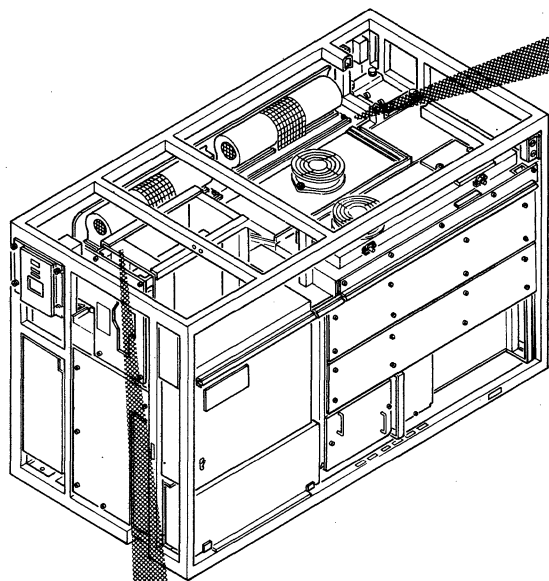
FINAL ASSEMBLY-FRAME 01
FIGURE 2, SHEET 2
PAGE 15



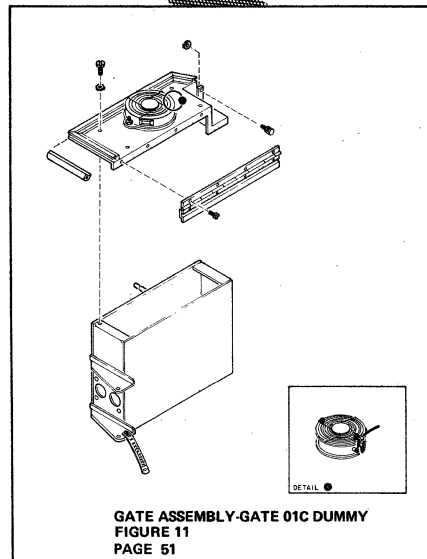
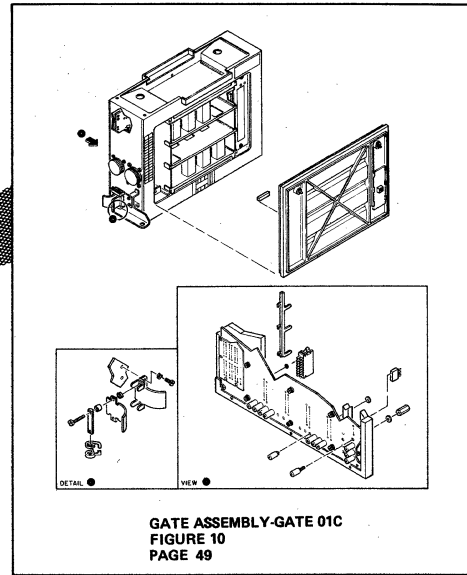
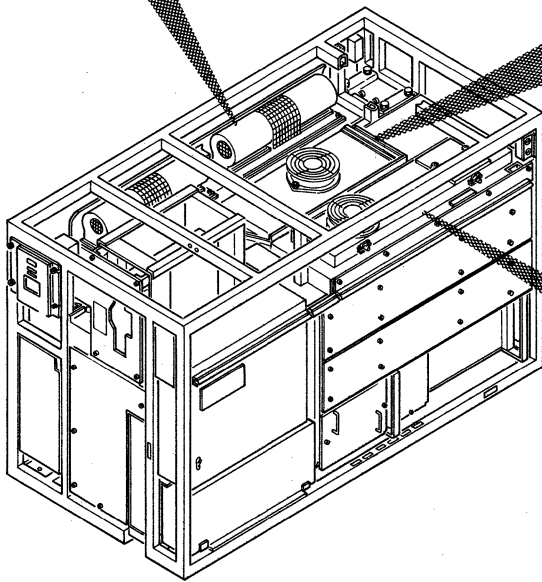
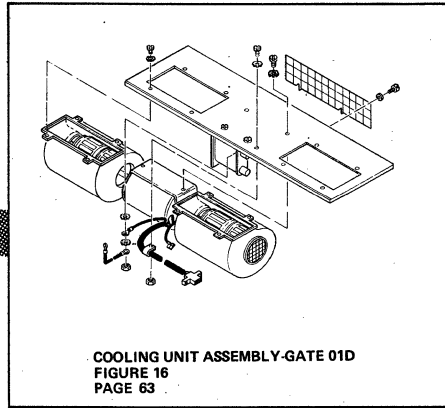
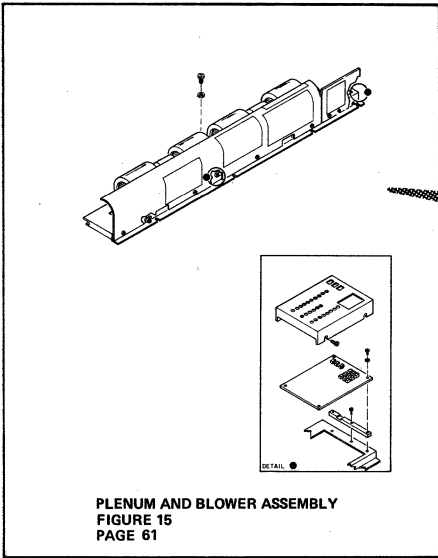
FINAL ASSEMBLY-FRAME 01
FIGURE 2, SHEET 4
PAGE 21

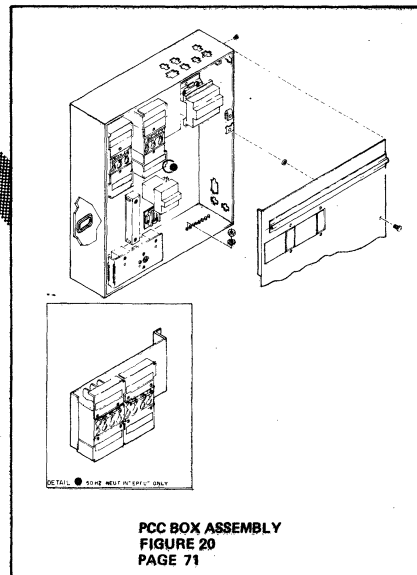
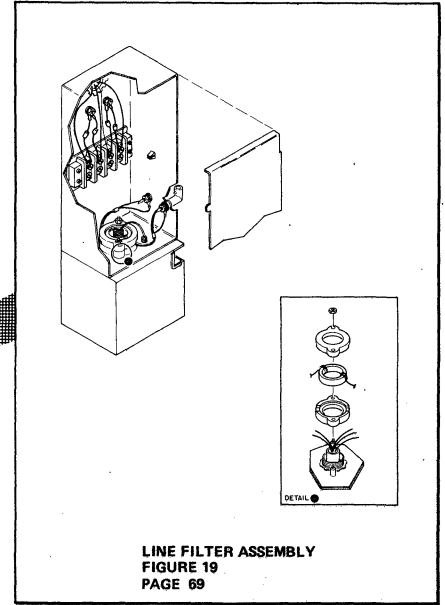
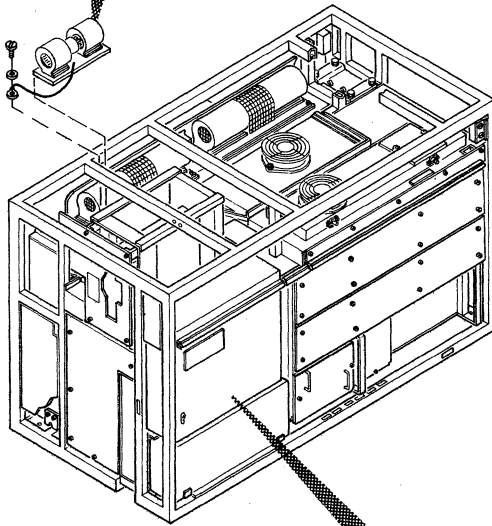
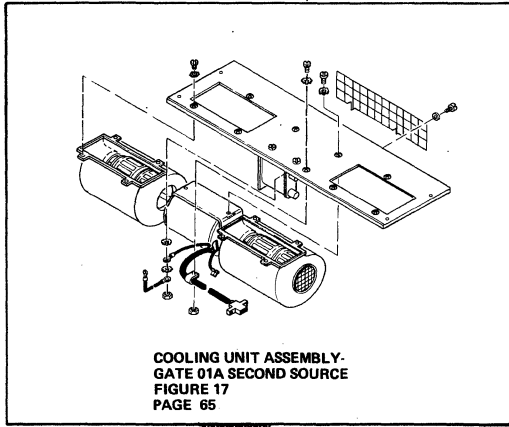


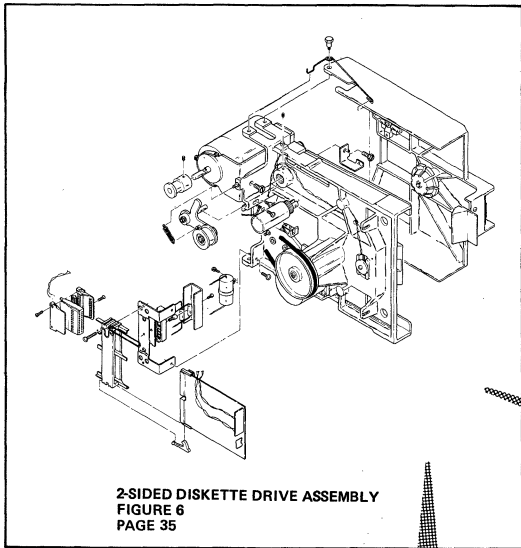
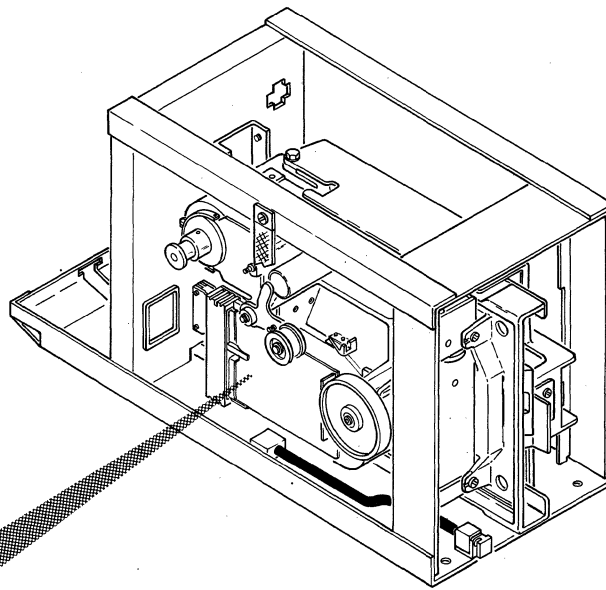
FINAL ASSEMBLY-FRAME 01
FIGURE 2, SHEET 3
PAGE 19



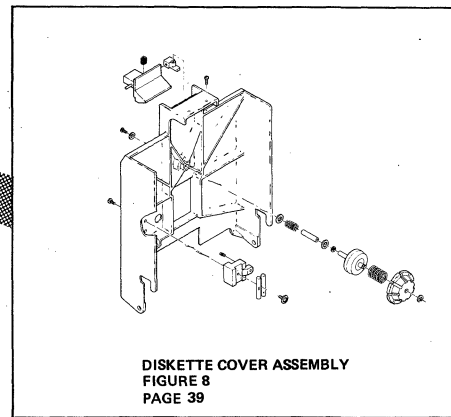
VISUAL INDEX



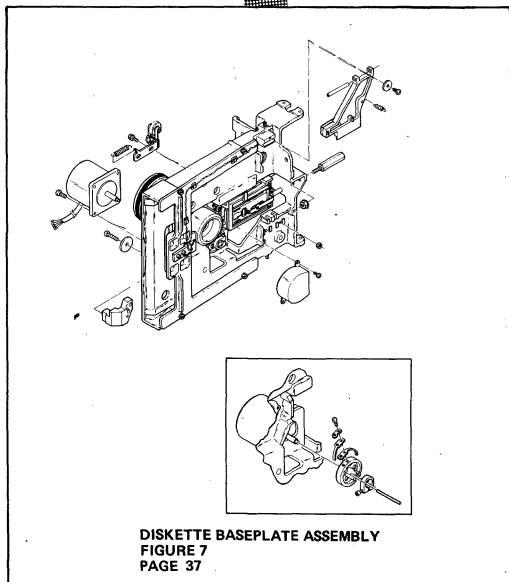




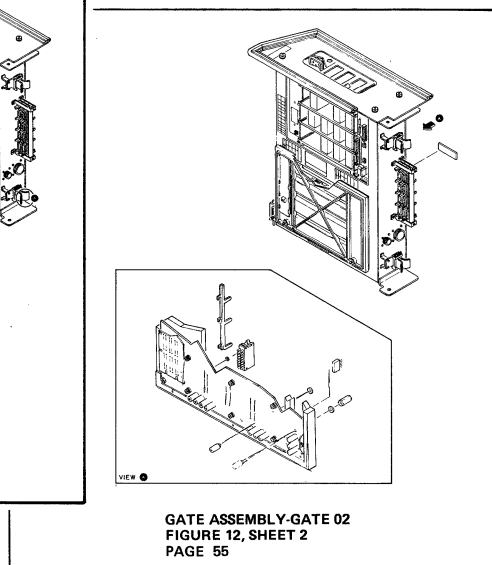
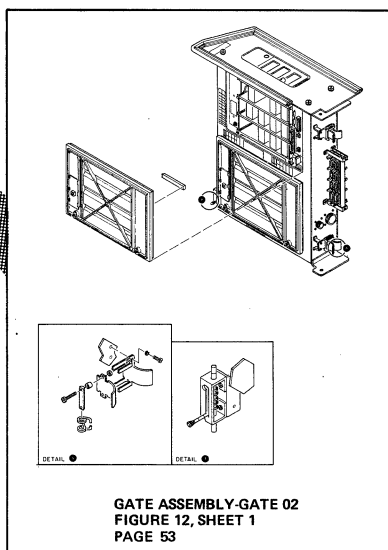
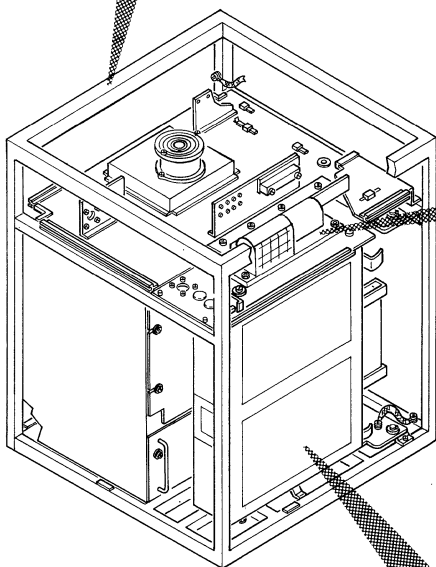
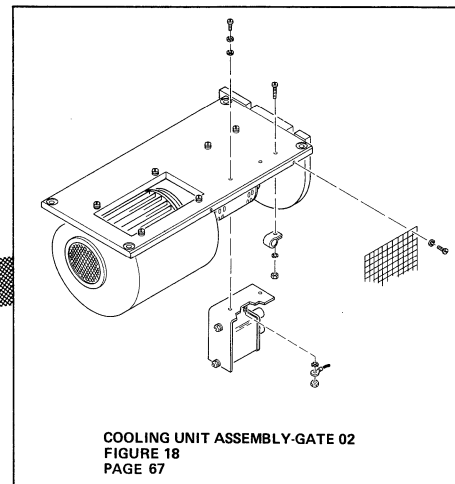
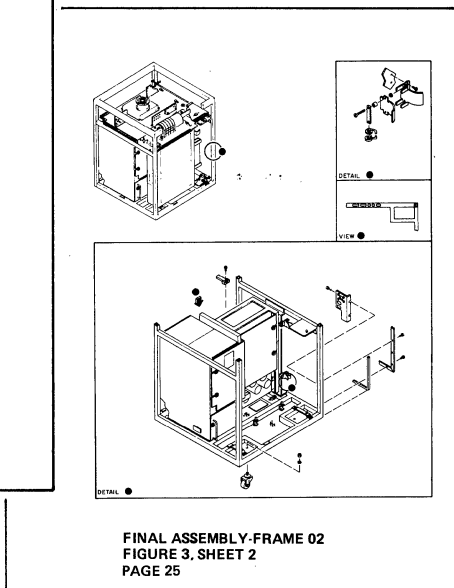
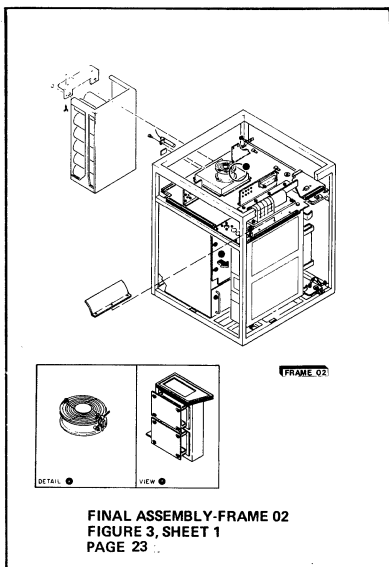
2-SIDED DISKETTE DRIVE ASSEMBLY
FIGURE 6
PAGE 35

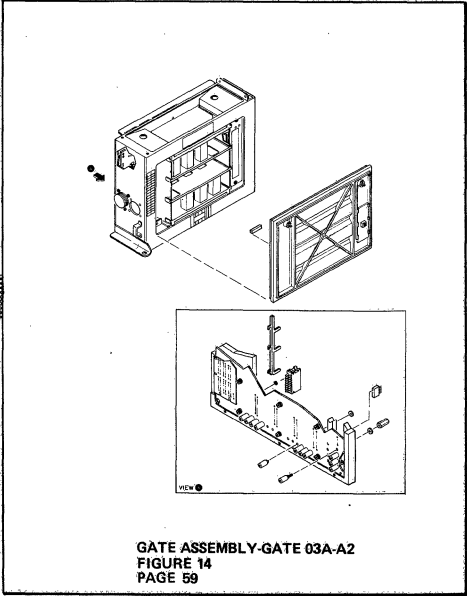
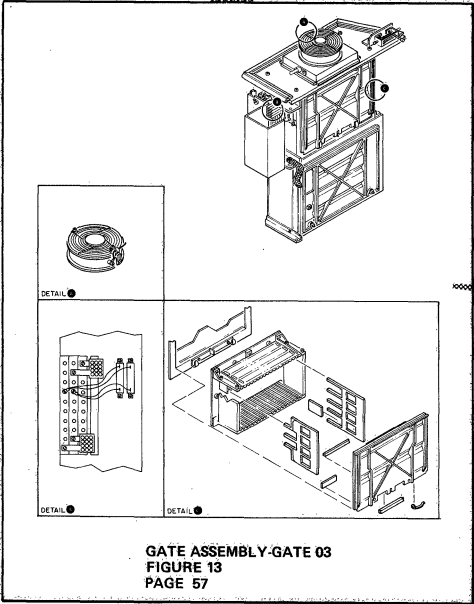
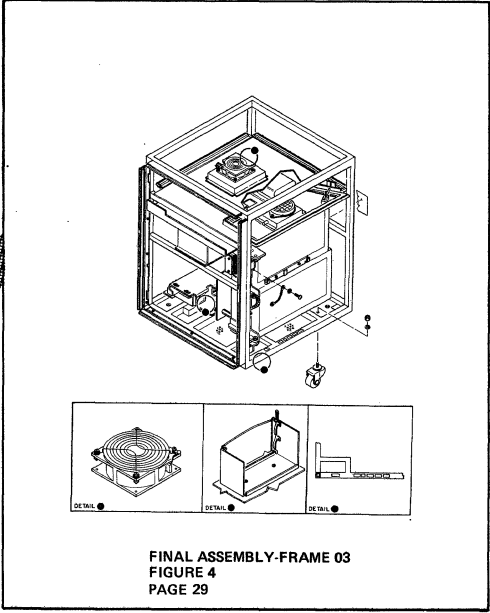
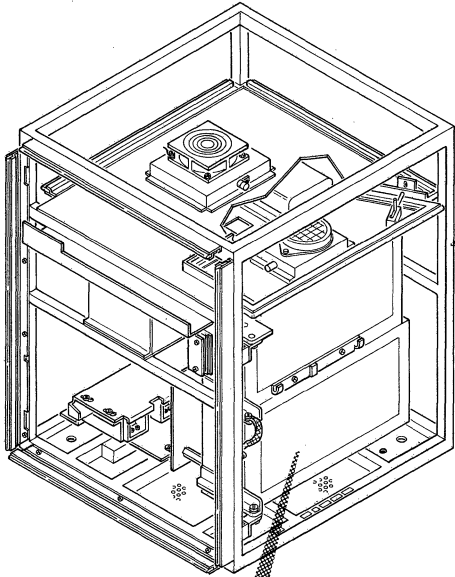


DISKETTE COVER ASSEMBLY
FIGURE 8
PAGE 39



DISKETTE BASEPLATE ASSEMBLY
FIGURE 7
PAGE 37





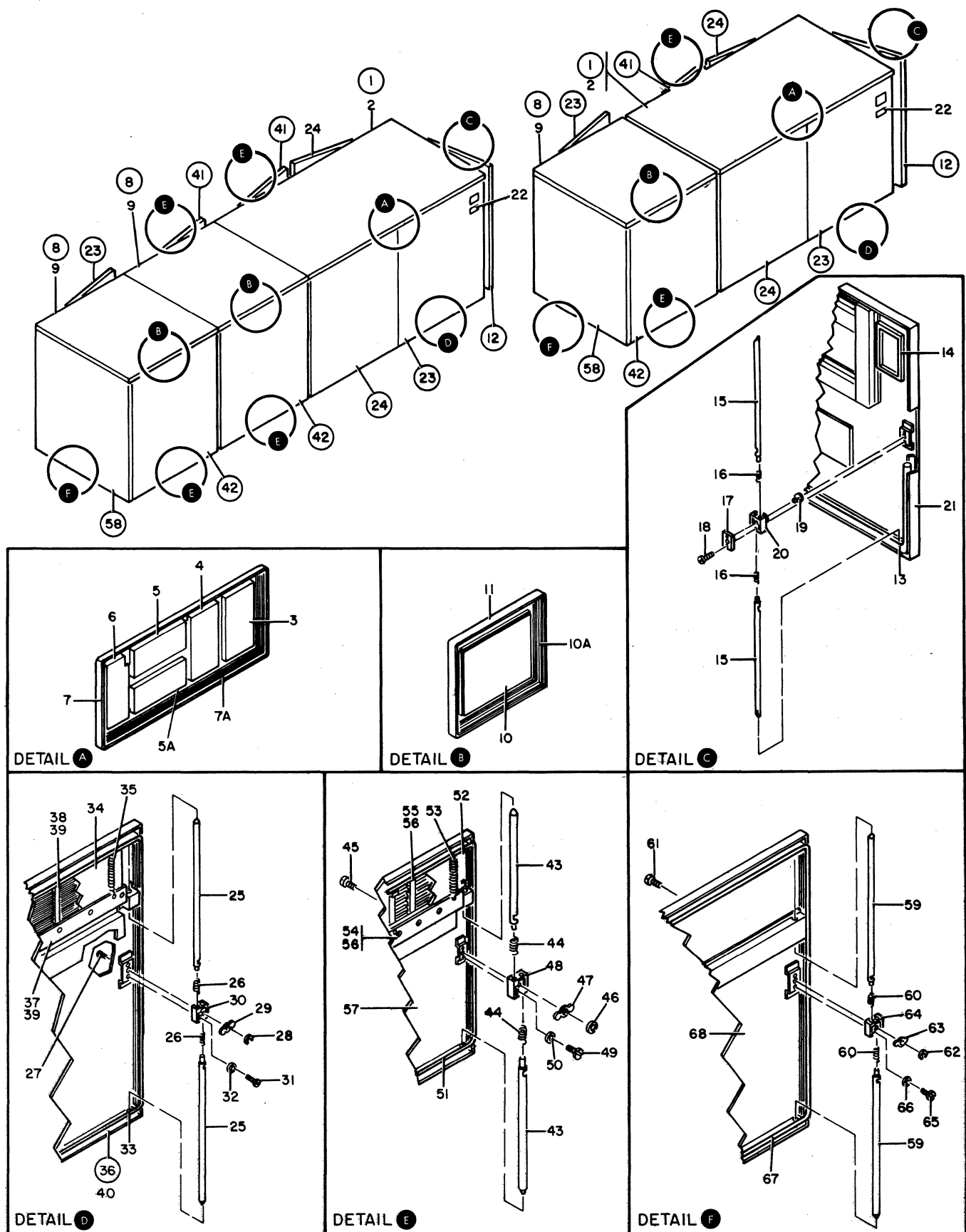


FIGURE 1. 4341 COVER ASSEMBLY. SHEET 1 OF 2. INDEX NOS. 1-68. SEE LIST 1.

4341 COVER ASSEMBLY

FIGURE- INDEX NUMBER	PART NUMBER	UNITS PER ASM.	DESCRIPTION			
			1	2	3	4
1 -	1310484 NP	1	4341 COVER ASSEMBLY FOR ILLUSTRATION SEE FIGURE 1			
- 1	5578623	1	. COVER ASM, TOP-WHITE			
- 2	1621190	2	. SCREW, PAN HD- M4 X 8 LG ATT PT			
- 3	4124095	1	. . . PAD, FOAM			
- 4	4124094	1	. . . PAD, FOAM			
- 5	4124093	1	. . . PAD, FOAM			
- 5A	4109378	1	. . . PAD, FOAM			
- 6	4124092	1	. . . PAD, FOAM			
- 6A	8483347	AR	. . . SEAL			
- 7	5578578	1	. . . COVER, TOP-WHITE			
- 8	1310009	AR	. COVER ASM, TOP			
- 9	1621190	AR	. SCREW, PAN HD- M4 X 8 LG ATT PT			
- 10	1310008	1	. . . PAD, FOAM			
- 10A	8483347	AR	. . . SEAL			
- 11	1310007	1	. . . COVER, TOP			
- 12	8330644	1	. COVER ASM, END IPO-BLUE			
- 12	8330646	1	. COVER ASM, END IPO-YELLOW			
- 12	8330648	1	. COVER ASM, END IPO-GREY			
- 12	8330650	1	. COVER ASM, END IPO-ROSE			
- 12	8330652	1	. COVER ASM, END IPO-BROWN			
- 12	8330654	1	. COVER ASM, END IPO-GREEN			
- 13	8483347	AR	. . . SEAL			
- 14	749059	AR	. . . SEAL			
- 15	8483368	2	. . . SHAFT, LATCH-BOLT			
- 16	2514459	2	. . . SPRING			
- 17	8483370	1	. . . PLATE, STOP			
- 18	8483361	2	. . . SCREW, THREAD FORMING-M3.5 X 30 LG ATT PT			
- 19	8483369	1	. . . BOLT			
- 20	8483371	1	. . . HOUSING			
- 21	8330660	1	. . . COVER, END IPO-BLUE			
- 21	8330662	1	. . . COVER, END IPO-YELLOW			
- 21	8330664	1	. . . COVER, END IPO-GREY			
- 21	8330666	1	. . . COVER, END IPO-ROSE			
- 21	8330668	1	. . . COVER, END IPO-BROWN			
- 21	8330670	1	. . . COVER, END IPO-GREEN			
- 22	4251623	2	. PLATE-SPECIAL EXPORT			
- 23	8483454	2	. COVER ASM			
- 24	8483455	2	. COVER ASM			
			INDEX NOS. 25-32 ARE USED ON 8483454 COVER ASM ONLY			
- 25	8483488	2	. . . SHAFT, LATCH-BOLT			
- 26	2154459	2	. . . SPRING, COMPRESSION- 0.543 LG X 0.218 DIA			
- 27	8483345	1	. . . KNOB			
- 28	1092125	1	. . . CLIP ATT PT			
- 29	8483353	1	. . . LATCH			
- 30	8483352	1	. . . HOUSING			
- 31	1621061	2	. . . SCREW, CHEESE HD- M4 X 10 LG ATT PT			
- 32	1622346	2	. . . LOCKWASHER, EXT STAR- M4, 8 OD X .5 ATT PT			
- 33	8483347	AR	. . . SEAL			
- 34	8483343	1	. . . FILTER, AIR			
- 35	307984	5	. . . SPRING			
- 36	8483469	1	. . . COVER ASM-USED ON 8483454 COVER ASM			
- 36	8483482	1	. . . COVER ASM-USED ON 8483455 COVER ASM			
- 37	8483356	1	. . . FLANGE			
- 38	8483355	1	. . . LOUVER			
- 39	1621852	14	. . . SCREW, SELF TAP PAN HD-M4 X 10 LG ATT PT			
- 40	8483486	1	. . . COVER-USED ON 8483454 COVER ASM			
- 40	8483487	1	. . . COVER-USED ON 8483455 COVER ASM			
- 41	4124046	AR	. COVER ASM			
- 42	1310488	AR	. COVER ASM			
- 43	8483488	2	. . . SHAFT, LATCH-BOLT			
- 44	2154459	2	. . . SPRING, COMPRESSION- 0.543 LG X 0.218 DIA			
- 45	8483345	1	. . . KNOB			
- 46	1092125	1	. . . CLIP ATT PT			
- 47	8483353	1	. . . LATCH			
- 48	8483352	1	. . . HOUSING			
- 49	1621061	2	. . . SCREW, CHEESE HD- M4 X 10 LG ATT PT			
- 50	1622346	2	. . . LOCKWASHER, EXT STAR- M4, 8 OD X .5 ATT PT			
- 51	8483347	AR	. . . SEAL			
- 52	8483343	1	. . . FILTER, AIR			
- 53	307984	3	. . . SPRING			
- 54	8483356	1	. . . FLANGE			
- 55	8483355	1	. . . LOUVER			
- 56	1621852	7	. . . SCREW, SELF TAP PAN HD-M4 X 10 LG ATT PT			

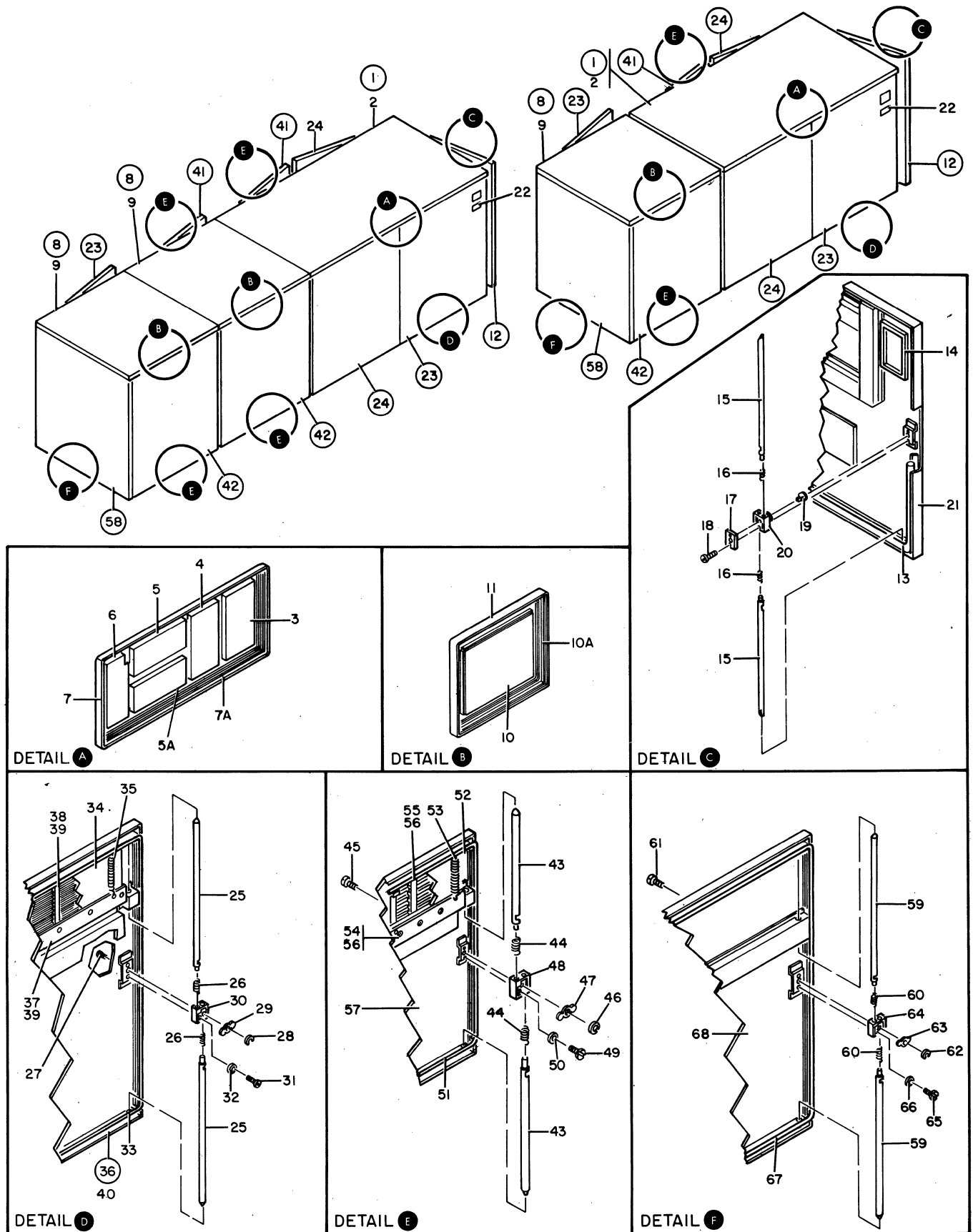


FIGURE 1. 4341 COVER ASSEMBLY. SHEET 1 OF 2. INDEX NOS. 1-68. SEE LIST 1.

4341 COVER ASSEMBLY

FIGURE- INDEX NUMBER	PART NUMBER	UNITS PER ASM.	DESCRIPTION			
			1	2	3	4
1 - 57	4124004	1	.	.	COVER-USED ON 4124046 COVER ASM	
- 57	1310006	1	.	.	COVER-USED ON 1310488 COVER ASM	
- 58	8330643	1	.		COVER ASM,END-BLUE	
- 58	8330645	1	.		COVER ASM,END-YELLOW	
- 58	8330647	1	.		COVER ASM,END-GREY	
- 58	8330649	1	.		COVER ASM,END-ROSE	
- 58	8330651	1	.		COVER ASM,END-BROWN	
- 58	8330653	1	.		COVER ASM,END-GREEN	
- 59	8483352	2	.		HOUSING	
- 60	2154459	2	.		SPRING,COMPRESSION- 0.543 LG X 0.218 DIA	
- 61	8483345	1	.		KNCB	
- 62	1092125	1	.		CLIP	ATT PT
- 63	8483353	1	.		LATCH	
- 64	8483352	1	.		HOUSING	
- 65	1621061	2	.		SCREW,CHEESE HD- M4 X 10 LG	ATT PT
- 66	1622346	2	.		LOCKWASHER,EXT STAR- M4, 8 OD X .5	ATT PT
- 67	8483347	AR	.		SEAL	
- 68	8330661	1	.		COVER,END-BLUE	
- 68	8330663	1	.		COVER,END-YELLOW	
- 68	8330665	1	.		COVER,END-GREY	
- 68	8330667	1	.		COVER,END-ROSE	
- 68	8330669	1	.		COVER,END-BROWN	
- 68	8330671	1	.		COVER,END-GREEN	

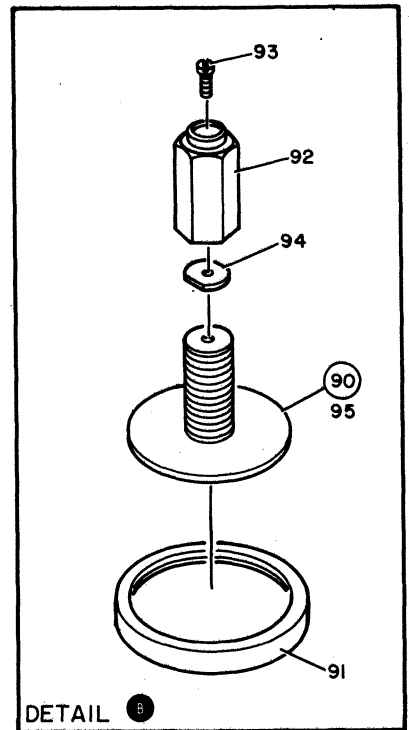
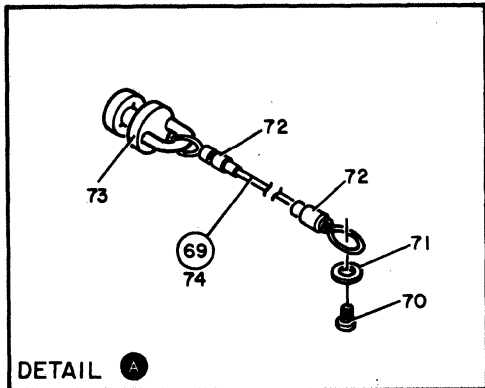
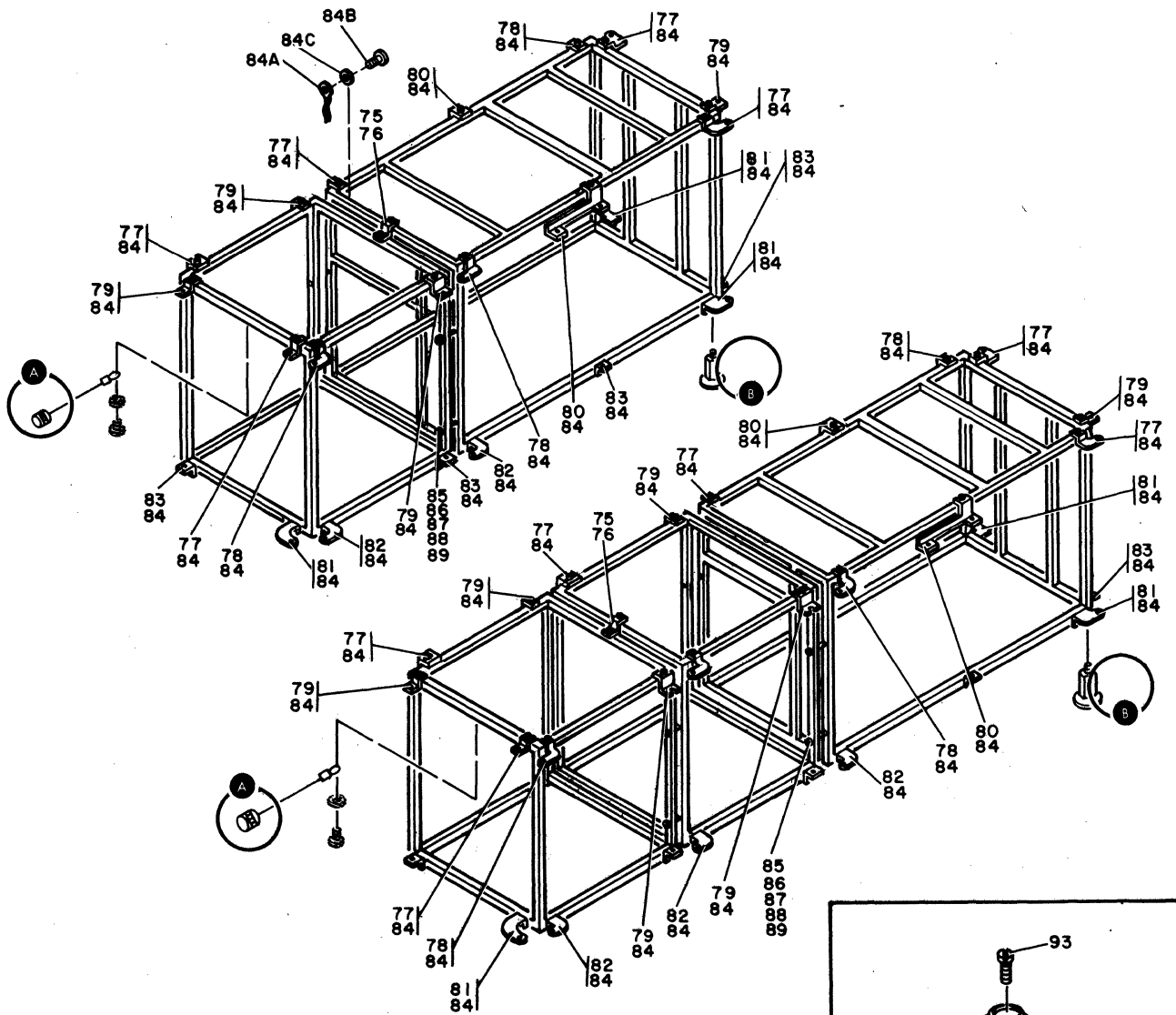


FIGURE 1. 4341 COVER ASSEMBLY. SHEET 2 OF 2. INDEX NOS. 69-95. SEE LIST 1.

4341 COVER ASSEMBLY

FIGURE- INDEX NUMBER	PART NUMBER	UNITS PER ASM.	DESCRIPTION			
			1	2	3	4
1 - 69	8483495	AR	. STOP ASM,COVER			
- 70	1622305	AR	. WASHER,FL- M5 10 OD X 1 THK			
- 71	1621210	AR	. SCREW,PAN HD- M5 X 10 LG			
- 72	597038	2	. . FERRULE,ELECTRICAL CONDUCTOR-8AWG			
- 73	8483444	1	. . RETAINER			
- 74	597066	1	. . CABLE			
- 75	5578557	AR	. BRACKET			
- 76	1621190	AR	. SCREW,PAN HD- M4 X 8 LG			
- 77	8483491	AR	. HINGE-TOP RIGHT			
- 78	8483489	AR	. HINGE-TOP LEFT			
- 79	8483493	AR	. BRACKET,LATCH-TOP			
- 80	8483497	2	. BRACKET,LATCH-DOUBLE TOP			
- 81	8483492	AR	. HINGE-BOTTOM RIGHT			
- 82	8483490	AR	. HINGE-BOTTOM LEFT			
- 83	8483494	AR	. BRACKET,LATCH-BOTTOM			
- 84	1621210	AR	. SCREW,PAN HD- M5 X 10 LG			
- 85	6831319	AR	. BOLT,HEX SLOT HD-M6 X 110 LG X 35 THD			
- 86	1622348	AR	. LOCKWASHER,EXT STAR- M6 11 OD X .7			
- 87	6831318	AR	. SPACER- 8 ID X 40 LG			
- 88	1622306	AR	. WASHER,FLAT,M6- 12.5 OD X 2 THK			
- 89	1622405	AR	. NUT,HEX-M6 X 10 FL W			
- 90	1310170	AR	. LEVELER ASM.			
- 91	1310167	1	. . PAD			
- 92	1310168	1	. . NUT,HEX-M20 X 25 FLW X 51 LG			
- 93	1621210	1	. . SCREW,PAN HD- M5 X 10 LG			
- 94	1310169	1	. . WASHER,FL-M5 X 20 OD X 2.5 THK			
- 95	1310171	1	. . PLATE ASM			

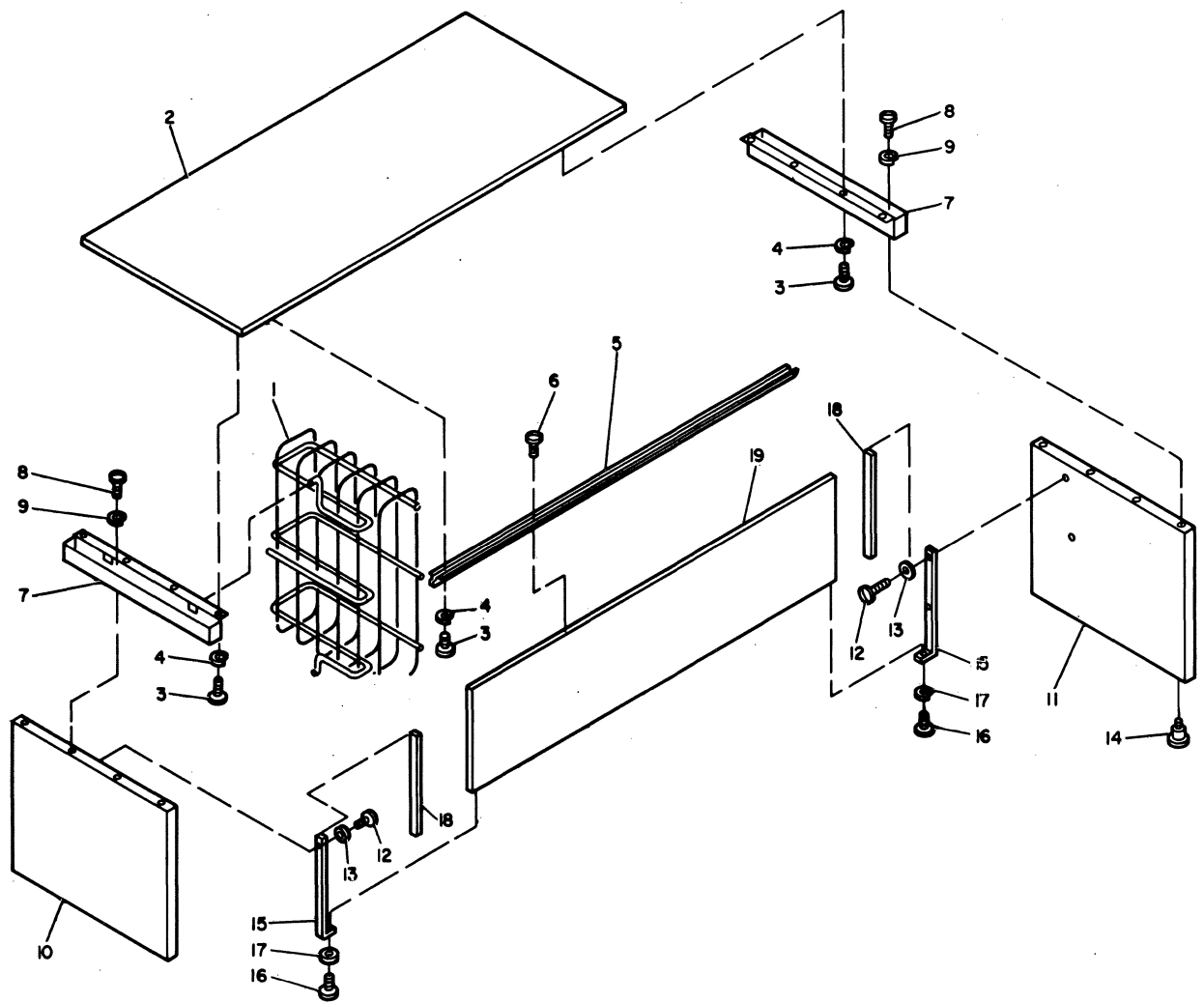


FIGURE 1A. REMOTE OPERATOR TABLE ASSEMBLY. SEE LIST 1A.

REMOTE OPERATOR TABLE ASSEMBLY

FIGURE- INDEX NUMBER	PART NUMBER	UNITS PER ASM.	DESCRIPTION			
			1	2	3	4
1A-	5578590	REF	TABLE ASM, REMOTE OPERATOR FOR ILLUSTRATION SEE FIGURE 1A			
- 1	8330678	AR	. RACK, WIRE			
- 2	1310163	1	. BOARD ASM, READING			
- 3	1621190	8	. SCREW,PAN HD- M4 X 8 LG ATT PT			
- 4	2125963	8	. WASHER,FL SQUARE-M4 ATT PT			
- 5	5578591	1	. SPACER			
- 6	1621190	4	. SCREW,PAN HD- M4 X 8 LG ATT PT			
- 7	5578593	2	. SPACER			
- 8	1621190	16	. SCREW,PAN HD- M4 X 8 LG ATT PT			
- 9	2125963	16	. WASHER,FL SQUARE-M4 ATT PT			
- 10	1310165	1	. LEG ASSEMBLY			
- 11	1310164	1	. LEG ASSEMBLY			
- 12	1621190	4	. SCREW,PAN HD- M4 X 8 LG ATT PT			
- 13	1622346	4	. LOCKWASHER,EXT STAR- M4, 8 OD X .5 ATT PT			
- 14	5578609	4	. GLIDE			
- 15	5578592	2	. SPACER			
- 16	1621190	2	. SCREW,PAN HD- M4 X 8 LG ATT PT			
- 17	1622346	2	. LOCKWASHER,EXT STAR- M4, 8 OD X .5 ATT PT			
- 18	353598	AR	. FCAM			
- 19	5578597	1	. SKIRT ASM, MOD. SPECIFY COLOR WHEN ORDERING-PEBBLE GRAY, CHARCOAL BROWN,CLASSIC BLUE,WILLOW GREEN,GARNET ROSE OR SUNRISE YELLOW.			

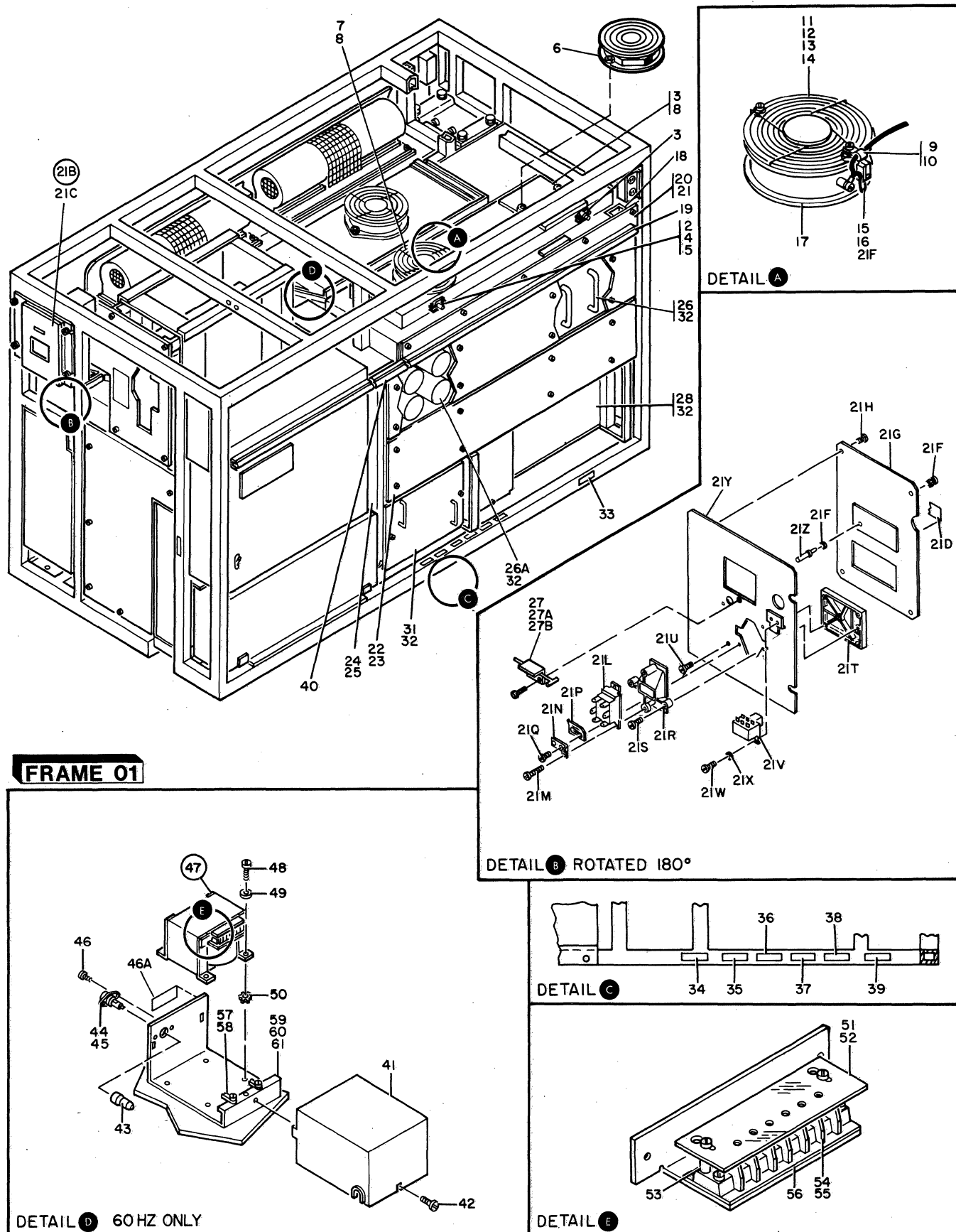


FIGURE 2. FINAL ASSEMBLY-FRAME 01. SHEET 1 OF 4. INDEX NOS. 1-61. SEE LIST 2.

FINAL ASSEMBLY-FRAME 01

FIGURE- INDEX NUMBER	PART NUMBER	UNITS PER ASM.	DESCRIPTION			
			1	2	3	4
2 -	6831440 NP	1	FINAL ASSEMBLY-FRAME 01 FOR ILLUSTRATION SEE FIGURE 2			
- 1	369207	1	. LABEL			
- 1	4056733	1	. LABEL-WTC			
- 2	5578666	1	. SENSOR,AIR FLOW FIRST SOURCE ONLY			
- 3	5578666	1	. SENSOR,AIR FLOW SECOND SOURCE ONLY			
- 4	1621170	AR	. SCREW,PAN HD- M3 X L 6A			
- 5	1622316	AR	. WASHER,SPRING-M3 6.2 OD X 0.8 THK			
- 6	6831333	1	. PLATE FIRST SOURCE ONLY			
- 6	4123900	1	. FAN ASM- 50/60 HZ SECOND SOURCE ONLY-REPLACES PLATE			
- 7	4123900	1	. FAN ASM- 50/60 HZ			
- 8	1622403	4	. NUT,DEL CHAMFERED HEX M4 X 3.2 THK			
- 9	825559	1	. CLAMP			
- 10	1621195	1	. SCREW,PAN HD-M4 X 30 LG			
- 11	4123902	1	. GUARD,FAN			
- 12	1621194	1	. SCREW,PAN HD-M4 X 20 LG			
- 13	1622346	2	. LOCKWASHER,EXT STAR- M4, 8 OD X .5			
- 14	1622403	2	. NUT,DEL CHAMFERED HEX M4 X 3.2 THK			
- 15	4124247	1	. CABLE ASM-FAN FOR CABLE COMPONENT PARTS SEE FIGURE 21			
- 16	1673983	1	. SCREW,PAN HD-M5 X 6 LG-BLUE ZINC COATED			
- 17	2549540	1	. FAN,TUBE AXIAL- 200/240 V 50/60 HZ			
- 18	730432	AR	. GRMMET,CATERPILLAR			
- 19	8483347	AR	. SEAL			
- 20	6831334	1	. BRACKET			
- 21	1621190	5	. SCREW,PAN HD- M4 X 8 LG			
- 21B	4432881	1	. SWITCH ASM,IPO/CE-ENGLISH			
- 21B	4432886	1	. SWITCH ASM,IPO/CE-BRAZIL/PORTUGUESE			
- 21B	4432884	1	. SWITCH ASM,IPO/CE-GERMAN			
- 21B	4432890	1	. SWITCH ASM,IPO/CE-ITALIAN			
- 21B	4432892	1	. SWITCH ASM,IPO/CE-SPANISH			
- 21B	4432888	1	. SWITCH ASM,IPO/CE-CANADIAN FRENCH			
- 21C	1621210	4	. SCREW,PAN HD- M5 X 10 LG			
- 21D	8330683	1	. PLATE,IDENTIFICATION-ENGLISH			
- 21D	8330685	1	. PLATE,IDENTIFICATION-GERMAN			
- 21D	8330686	1	. PLATE,IDENTIFICATION-ITALIAN			
- 21D	8330687	1	. PLATE,IDENTIFICATION-SPANISH			
- 21D	8330684	1	. PLATE,IDENTIFICATION-BRAZIL/PORTUGAL			
- 21D	8330688	1	. PLATE, IDENT. -CANADIAN FRENCH			
- 21F	2744256	1	. MOUNT,LED			
- 21G	4432872	1	. MOUNT, LED			
- 21H	1621197	4	. SCREW,PAN HD-M4 X 6 LG			
- 21L	4521305	1	. SWITCH,IPO			
- 21M	1621181	2	. SCREW			
- 21N	4796840	1	. BRACKET			
- 21P	4521307	1	. SPRING			
- 21Q	1621197	2	. SCREW,PAN HD-M4 X 6 LG			
- 21R	4521357	1	. HOUSING,IPO SWITCH			
- 21S	1621184	2	. SCREW			
- 21T	4521358	1	. COVER,IPO SWITCH-ENGLISH			
- 21T	4797001	1	. COVER,IPO SWITCH-GERMAN			
- 21T	4797370	1	. COVER,IPO SWITCH-CANADIAN FRENCH			
- 21T	4797005	1	. COVER,IPO SWITCH-ITALIAN			
- 21T	4797003	1	. COVER,IPO SWITCH-SPANISH			
- 21T	4797367	1	. COVER,IPO SWITCH-BRAZIL/PORTUGUESE			
- 21U	1621181	4	. SCREW			
- 21V	740513	4	. SWITCH,CE			
- 21W	1621170	1	. SCREW,PAN HD- M3 X L 6A			
- 21X	1622344	2	. LOCKWASHER,EXT STAR- M3 X 294 THK			
- 21Y	4432871	1	. SUPPORT PLATE			
- 21Z	4432775	2	. CABLE/LED			
- 22	6831338	2	. PLATE			
- 23	1621210	12	. SCREW,PAN HD- M5 X 10 LG			
- 24	4432849	1	. SHIELD			
- 25	1673983	2	. SCREW,PAN HD-M5 X 6 LG-ELUE ZINC COATED			
- 26	1310300	2	. T/R PAC ASM, 60 HZ FIRST SOURCE ONLY			
- 26	1310315	2	. T/R PAC ASM, 50 HZ SECOND SOURCE ONLY			
- 26A	1310281	2	. POWER SUPPLY ASM.			
- 27	2637524	1	. BRACKET			
- 27A	524519	1	. TIE,CABLE			
- 27B	1621197	1	. SCREW,PAN HD-M4 X 6 LG			

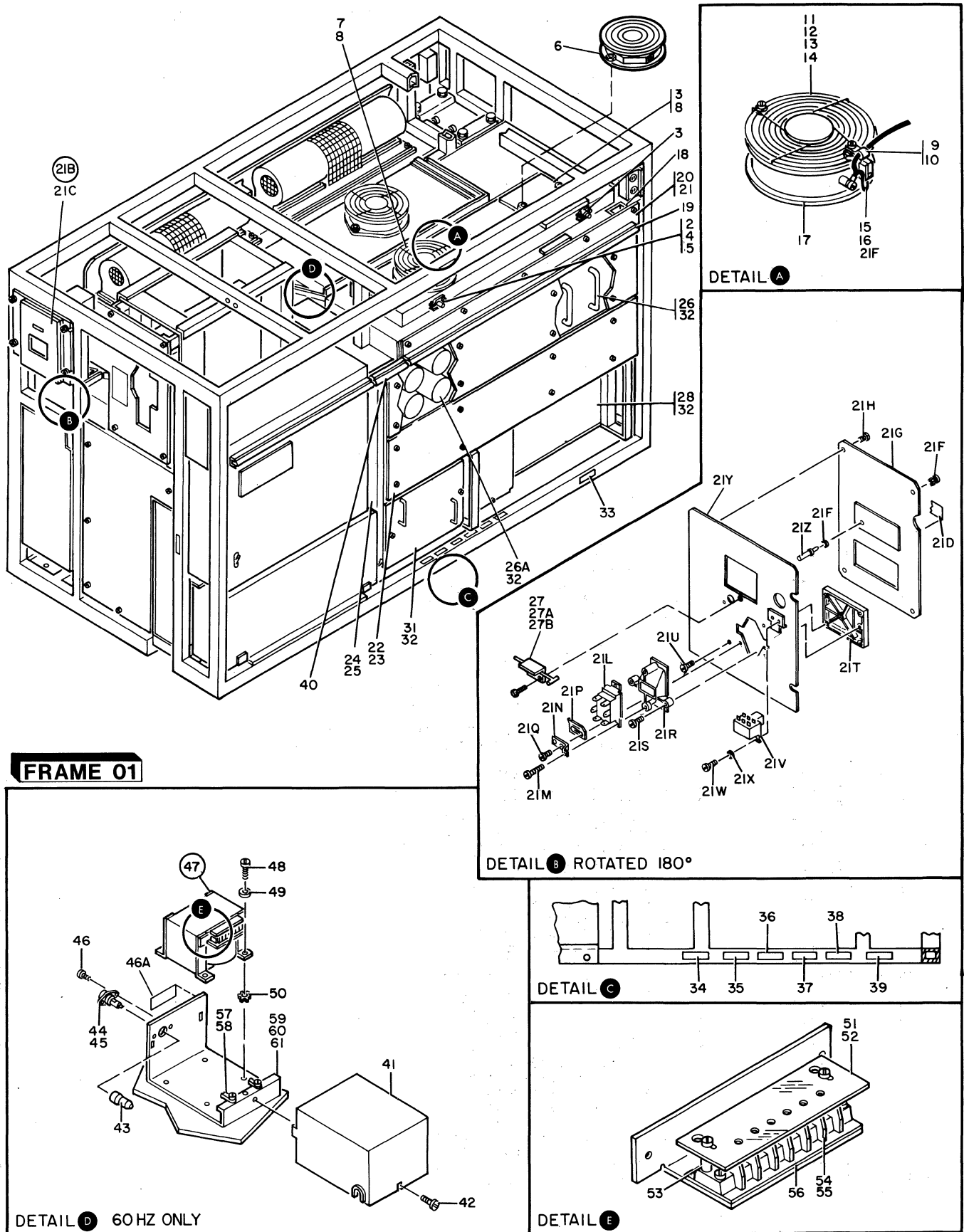


FIGURE 2. FINAL ASSEMBLY-FRAME 01. SHEET 1 OF 4. INDEX NOS. 1-61. SEE LIST 2.

FINAL ASSEMBLY-FRAME 01

FIGURE- INDEX NUMBER	PART NUMBER	UNITS PER ASM.	DESCRIPTION			
			1	2	3	4
2 - 28	8482651	1	.	POWER SUPPLY ASM- 50/60 HZ (PS 101)		
- 31	8482691	1	.	1/R PAC ASM- 60 HZ (TR 101)		
- 31	8482681	1	.	T/R PAC ASM- 50 HZ (TR 101)		
- 32	1621210	6	.	SCREW,PAN HD- M5 X 10 LG		ATT PT
- 33	6004802	1	.	LABEL		
- 34	855282	1	.	PLATE,SERIAL NO. LEFT		
- 35	855283	1	.	PLATE,SERIAL NO. RIGHT		
- 36	855264	1	.	PLATE,MANUFACTURED BY USA		
- 36	855265	1	.	PLATE,MFG BY IBM-CANADA		
- 36	855266	1	.	PLATE,MFG BY WTC		
- 36	855267	1	.	PLATE,MANUFACTURED FOR USA		
- 36	855268	1	.	PLATE,MANUFACTURED FOR		
- 36	855269	1	.	PLATE,MANUFACTURED FOR WT		
- 36	855270	1	.	PLATE,RECONDITIONED BY USA		
- 36	855272	1	.	PLATE,RECONDITIONED BY WT		
- 36	855273	1	.	PLATE,RENOVATED BY USA		
- 36	855275	1	.	PLATE,RENOVATED BY WT		
- 36	855276	1	.	PLATE,RECONDITIONED FOR USA		
- 36	855278	1	.	PLATE,RECONDITIONED FOR WT		
- 36	855279	1	.	PLATE,RENOVATED FOR USA		
- 36	855281	1	.	PLATE,RENOVATED FOR WT		
- 36	855284	1	.	PLATE,MFG EXPORT		
THE FOLLOWING PLATES ARE FOR WORLD TRADE AND CANADIAN USE ONLY						
- 36	4056395	1	.	PLATE,RECONDITIONED BY CANADA		
- 36	4056397	1	.	PLATE,RECONDITIONED BY WT		
- 36	4056399	1	.	PLATE,RECONDITIONED FOR CANADA		
- 36	4056401	1	.	PLATE,RECONDITIONED FOR WT		
- 36	4056403	1	.	PLATE,RENOVATED BY CANADA		
- 36	4056405	1	.	PLATE,RENOVATED BY WT		
- 36	4056407	1	.	PLATE,RENOVATED FOR CANADA		
- 36	4056409	1	.	PLATE,RENOVATED FOR WT		
- 36	4056413	1	.	PLATE,MANUFACTURED BY CANADA		
- 36	4056415	1	.	PLATE,MANUFACTURED BY WT		
- 36	4056417	1	.	PLATE,MANUFACTURED FOR CANADA		
- 36	4056419	1	.	PLATE,MANUFACTURED FOR WT		
THE FOLLOWING PLATES ARE FOR WORLD TRADE SUMARE BRAZIL USE ONLY						
- 36	6003010	1	.	PLATE MANUFACTURED BY SUMARE		
- 36	6003012	1	.	PLATE,MANUFACTURED FOR SUMARE		
THE FOLLOWING ARE PROPERTY PLATES FOR DOMESTIC AND WORLD TRADE USE						
- 36	855262	1	.	PLATE,PROP IBM ARM		
- 36	855263	1	.	PLATE,PROP IBM W.T.		
- 36	960746	1	.	PLATE,PROPERTY OF CANADA		
- 36	1310782	1	.	PLATE,PROPERTY-ARGENTINA		
- 36	1976194	1	.	ELATE,PROPERTY-JAPAN		
- 36	2418180	1	.	PLATE, PROPERTY-ITALIA		
- 36	2992717	1	.	PLATE,PROPERTY-FRENCH		
- 36	4056393	1	.	PLATE,PROPERTY-WT		
- 36	4134351	1	.	PLATE,PROPERTY-AUSTRALIA		
- 36	4134352	1	.	PLATE,PROPERTY-EAHAMAS		
- 36	4134353	1	.	PLATE,PROPERTY-BELGIUM		
- 36	4134354	1	.	PLATE,PROPERTY-BOLIVIA		
- 36	4134355	1	.	PLATE,PROPERTY-CHILE		
- 36	4134356	1	.	PLATE,PROPERTY-COLUMBIA		
- 36	4134357	1	.	PLATE,PROPERTY-COSTA RICA		
- 36	4134358	1	.	PLATE,PROPERTY-DENMARK		
- 36	4134359	1	.	ELATE,PROPERTY-ECUADOR		
- 36	4134360	1	.	PLATE,PROPERTY-FINLAND		
- 36	4134361	1	.	PLATE,PROPERTY-GUATEMALA		
- 36	4134362	1	.	PLATE,PROPERTY-IRELAND		
- 36	4134363	1	.	ELATE,PROPERTY-KOREA		
- 36	4134364	1	.	PLATE,PROPERTY-MEXICO		
- 36	4134365	1	.	ELATE,PROPERTY-NORWAY		
- 36	4134366	1	.	PLATE,PROPERTY-PANAMA		
- 36	4134367	1	.	PLATE,PROPERTY-PERU		
- 36	4134368	1	.	PLATE,PROPERTY-PHILLIPINES		
- 36	4134369	1	.	ELATE,PROPERTY-PORTUGAL		
- 36	4134370	1	.	PLATE,PROPERTY-SOUTH AFRICA		
- 36	4134371	1	.	PLATE,PROPERTY-SPAIN		

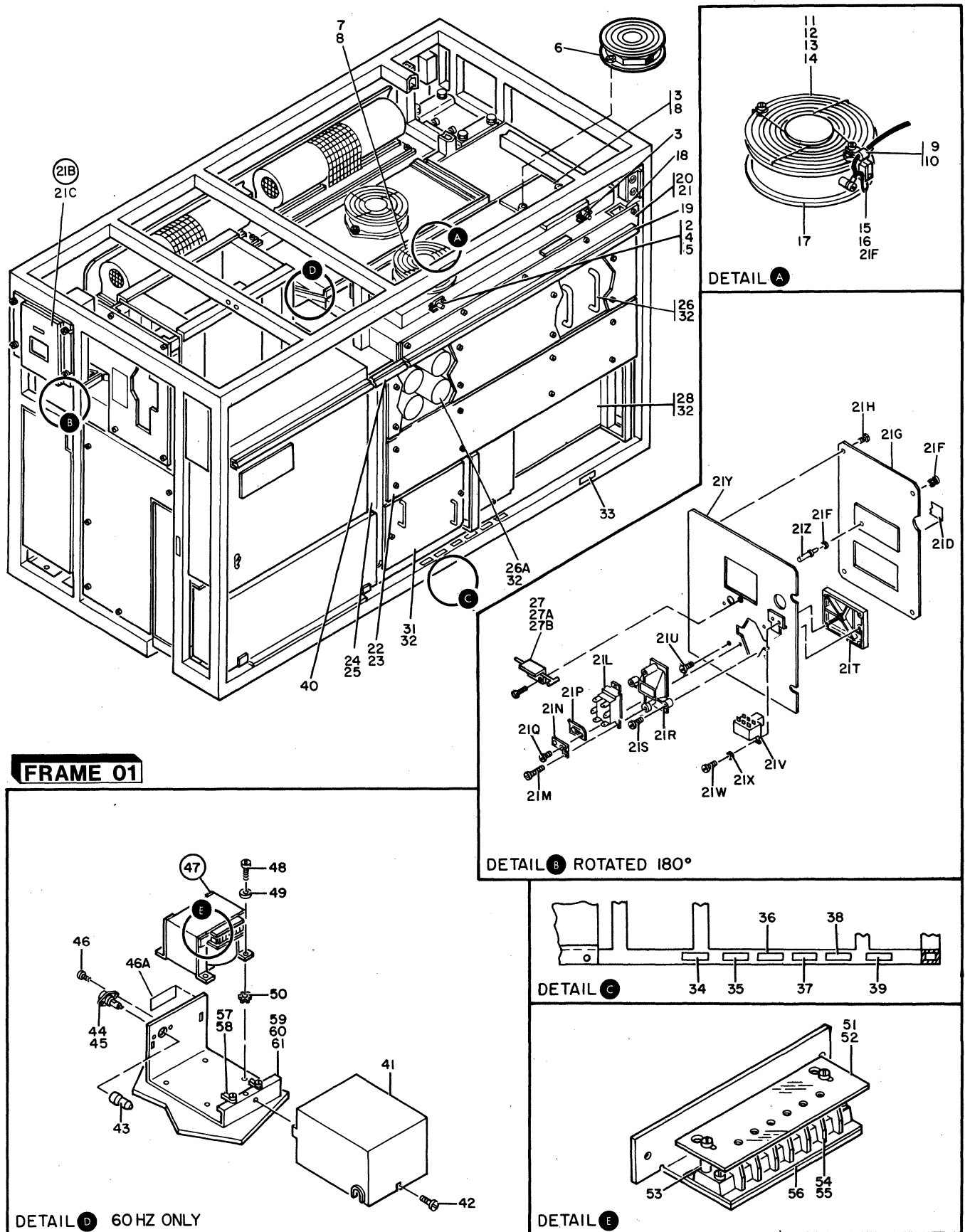


FIGURE 2. FINAL ASSEMBLY-FRAME 01. SHEET 1 OF 4. INDEX NOS. 1-61. SEE LIST 2.

FINAL ASSEMBLY-FRAME 01

FIGURE- INDEX NUMBER	PART NUMBER	UNITS PER ASM.	DESCRIPTION					
			1	2	3	4		
2 - 36	4134372	1	PLATE,PROPERTY-SWITZERLAND	
- 36	4134373	1	PLATE,PROPERTY-TAIWAN	
- 36	4134374	1	PLATE,PROPERTY-THAILAND	
- 36	4134376	1	PLATE,PROPERTY-VENEZUELA	
- 36	4134580	1	PLATE,PROPERTY-WT/AMER/FAR EAST	
- 36	4134581	1	PLATE,PROPERTY-WT EUROPE/MID	
- 36	4134582	1	PLATE,PROPERTY-AUSTRIA	
- 36	4134583	1	PLATE,PROPERTY-NEW ZEALAND	
- 36	4134584	1	PLATE,PROPERTY-NIGERIA	
- 36	4135783	1	PLATE,PROPERTY-NETHERLANDS	
- 36	5054478	1	PLATE,PROPERTY-SWEDEN	
- 36	5576379	1	PLATE,PROPERTY-MADAGASCAR	
- 36	5966292	1	PLATE,PROPERTY-INDIA	
- 36	6003013	1	PLATE,PROPERTY-ERAZIL	
- 36	8112294	1	PLATE,PROPERTY-UNITED KINGDOM	
- 36	8330628	1	PLATE,PROPERTY-WHITE PLAINS	
- 36	4135783	1	PLATE,PROPERTY-NETHERLANDS	
- 37	855286	1	PLATE,U.L. APPROVAL	
- 37	960766	1	PLATE,CSA INSIGNIA	
- 38	4433023	1	PLATE,VOLTAGE- 200V,50 HZ	
- 38	4433024	1	PLATE,VOLTAGE- 220V,50 HZ	
- 38	4433025	1	PLATE,VOLTAGE- 380/400-415V,50 HZ	
- 38	4433026	1	PLATE,VOLTAGE- 200V,60 HZ	
- 38	4433027	1	PLATE,VOLTAGE- 208/240V,60 HZ	
- 38	4433028	1	PLATE,VOLTAGE- 220V,60 HZ	
- 39	855284	1	PLATE,MFG EXPORT	
- 39	4056411	1	PLATE,MANUFACTURING EXPORT	
- 39	6003011	1	PLATE MANUFACTURE EXPORT-SUMARE	
- 40	8483347	AR	SEAL	
- 41	6831317	1	COVER	
- 42	1621210	1	SCREW,PAN HD- M5 X 10 LG	ATT PT
- 43	406129C	1	CAP,INSULATOR	
- 44	218793	1	FUSE	
- 45	92752	1	FUSEHOLDER	
- 46	1621172	2	SCREW,PAN HD- M3 X 10 LG	ATT PT
- 46A	2542403	1	LABEL	
- 47	5252645	1	TRANSFORMER ASM	
- 48	1621211	4	SCREW,PAN HD- M5 X 12 LG	ATT PT
- 49	2125974	4	SPACER	ATT PT
- 50	179966	1	LOCKWASHER,EXT- .312 ID X .610 OD	ATT PT
- 51	337193	1	SHIELD,TERMINAL BOARD 6 POS	
- 52	10170	2	SCREW,BD HD- 6-32 X 0.250 LG	ATT PT
- 53	210883	2	STUD	
- 54	317131	1	BLOCK	
- 55	322550	2	SCREW,BD HD- 6-32 X 0.500 LG	ATT PT
- 56	322266	1	STRIP,MARKER,6 POS NOS.	
- 57	825559	2	CLAMP	
- 58	1621210	2	SCREW,PAN HD- M5 X 10 LG	ATT PT
- 59	6831316	1	BRACKET	
- 60	1621210	1	SCREW,PAN HD- M5 X 10 LG	ATT PT
- 61	1622347	1	LOCKWASHER EXT STAR- M5, 10 OD X .6	ATT PT

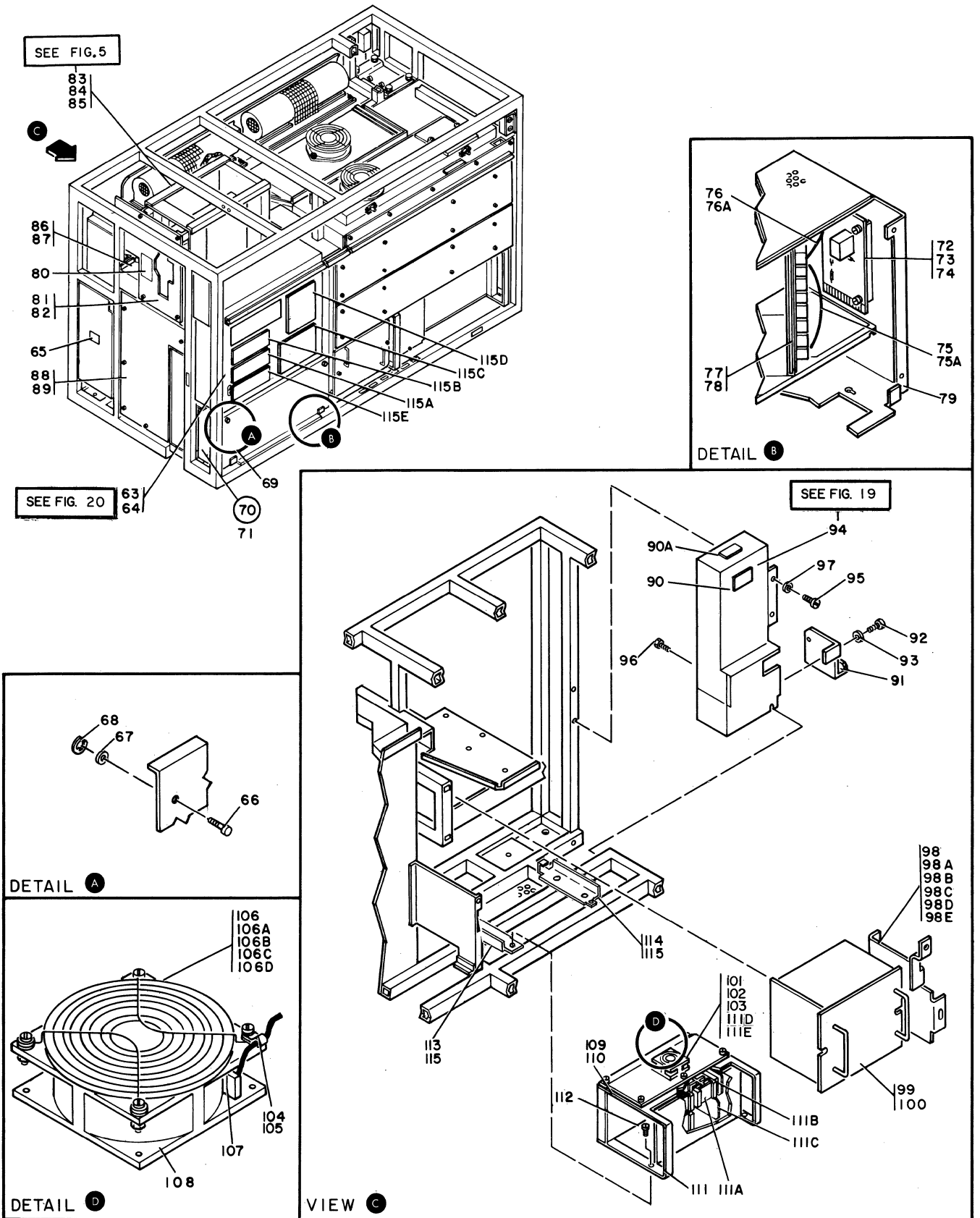


FIGURE 2. FINAL ASSEMBLY-FRAME 01. SHEET 2 OF 4. INDEX NOS. 63-115E. SEE LIST 2.

FINAL ASSEMBLY-FRAME 01

FIGURE- INDEX NUMBER	PART NUMBER	UNITS PER ASM.	DESCRIPTION			
			1	2	3	4
2 - 63	6831445	1	.	PCC BOX ASSEMBLY- 60 HZ		
- 63	6831446	1	.	PCC BOX ASSEMBLY- 50 HZ		
				FOR DETAIL BREAKDOWN SEE FIGURE 20		
- 64	1673983	5	.	SCREW,PAN HD-M5 X 6 LG-ELUE ZINC COATED	ATT PT	
- 65	369207	1	.	LABEL		
- 65	4056733	1	.	LABEL, GERMAN		
- 66	8267564	2	.	SCREW,THUMB-M5 X 10 LG		
- 67	25009	2	.	WASHER, FLAT		
- 68	264641	2	.	RING,RETAINING EXT 0.114 ID X 0.025 THK		
- 69	1310250	1	.	COVER		
- 70	1310249	NP	1	SPI ASM		
- 71	1621210	2	.	SCREW,PAN HD- M5 X 10 LG	ATT PT	
- 72	8482761	1	.	CARD ASM,PANEL		
- 73	1621170	4	.	SCREW,PAN HD- M3 X L 6A	ATT PT	
- 74	1622304	4	.	WASHER,FL- M4 9 OD X 0.8 THK	ATT PT	
- 75	8482760	1	.	CABLE ASM-I/O COMPLETE FOR SPI		
				FOR CABLE COMPONENT PARTS SEE FIGURE 21		
- 75A	4109359	1	.	CABLE ASM, I/O		
- 76	8482759	AR	.	CABLE ASM-SPI		
				FOR CABLE COMPONENT PARTS SEE FIGURE 21		
- 76A	4109360	1	.	CABLE ASM, SPI		
- 77	8482757	AR	.	CARD ASM,RELAY		
- 78	1621190	AR	.	SCREW,PAN HD- M4 X 8 LG	ATT PT	
- 79	1310239	1	.	CHASSIS		
- 80	4432854	1	.	LABEL		
- 81	6831339	1	.	SHIELD		
- 82	1621194	4	.	SCREW,PAN HD-M4 X 20 LG	ATT PT	
- 83	6831442	NP	1	FILE MOUNTING ASSEMBLY- 60 HZ		
- 83	6831443	NP	1	FILE MOUNTING ASSEMBLY- 50 HZ		
				FOR DETAIL BREAKDOWN SEE FIGURE 5		
- 84	1621210	4	.	SCREW,PAN HD- M5 X 10 LG	ATT PT	
- 84	4151647	1	.	T/R PAC ASM- 50 HZ (TR 202)		
- 85	1622347	4	.	LOCKWASHER EXT STAR- M5, 10 OD X .6	ATT PT	
- 86	6831311	1	.	HOUSING, FILE		
- 86	4124208	3	.	T/R PAC ASM- 50 HZ (TR 201)		
				ALL TR 201 T/R PAC ASMS MUST BE REPLACED TOGETHER IN SETS OF 3, WITH MATCHING SERIAL NUMBERS		
- 87	1621210	6	.	SCREW,PAN HD- M5 X 10 LG	ATT PT	
- 88	6831473	1	.	SHIELD		
- 89	1621198	5	.	SCREW,PAN HD-M4 X 4 LG	ATT PT	
- 90	4056827	1	.	LABEL		
- 90	1310255	1	.	POWER SUPPLY ASM- 50 HZ (PS 205)		
- 90A	825557	2	.	CLAMP		
- 91	1310059	1	.	COVER		
- 92	1621190	2	.	SCREW,PAN HD- M4 X 8 LG	ATT PT	
- 93	2125963	2	.	WASHER,FL SQUARE-M4	ATT PT	
- 94	6831458	1	.	LINE FILTER ASSEMBLY- 50 HZ		
- 94	6831460	1	.	LINE FILTER ASSEMBLY- 60 HZ		
				FIRST SOURCE ONLY		
- 94	6831464	1	.	LINE FILTER ASM, 200V 50/60 HZ WTC		
- 94	6831462	1	.	LINE FILTER ASM, 60 HZ		
				SECOND SOURCE ONLY		
				FOR DETAIL BREAKDOWN SEE FIGURE 19		
- 95	1621210	2	.	SCREW,PAN HD- M5 X 10 LG	ATT PT	
- 96	1621594	1	.	SCREW,HEX HD- M6 X 10 LG	ATT PT	
- 97	2125974	2	.	SPACER	ATT PT	
- 98	4432848	1	.	SHIELD		
- 98A	1621199	2	.	SCREW,PAN HD-M4 X 35 LG	ATT PT	
- 98B	1621190	1	.	SCREW,PAN HD- M4 X 8 LG	ATT PT	
- 98C	1622304	1	.	WASHER,FL- M4 9 OD X 0.8 THK	ATT PT	
- 98D	1622403	1	.	NUT, IBL CHAMFERED HEX M4 X 3.2 THK	ATT PT	
- 98E	4109439	1	.	NUT, SPEED		
- 99	1312080	1	.	T/R PAC ASM- 60 HZ (TR 104)		
- 99	1312090	1	.	T/R PAC ASM- 50 HZ (TR 104)		
-100	1621210	2	.	SCREW,PAN HD- M5 X 10 LG	ATT PT	
-101	8330692	1	.	FAN ASM		
				SECOND SOURCE ONLY		
-102	1621172	4	.	SCREW,PAN HD- M3 X 10 LG	ATT PT	
-103	1622332	4	.	WASHER-LOCK INT STAR-M3, 6 OD X .4	ATT PT	
-104	825559	1	.	CLAMP		
-105	1621173	1	.	SCREW,PAN HD-M3 X 12 LG		
-106	2172166	1	.	GUARD		
-106A	1621172	3	.	SCREW,PAN HD- M3 X 10 LG		
-106B	1622302	4	.	WASHER,FL-M3 7 OD X 0.5 THK		

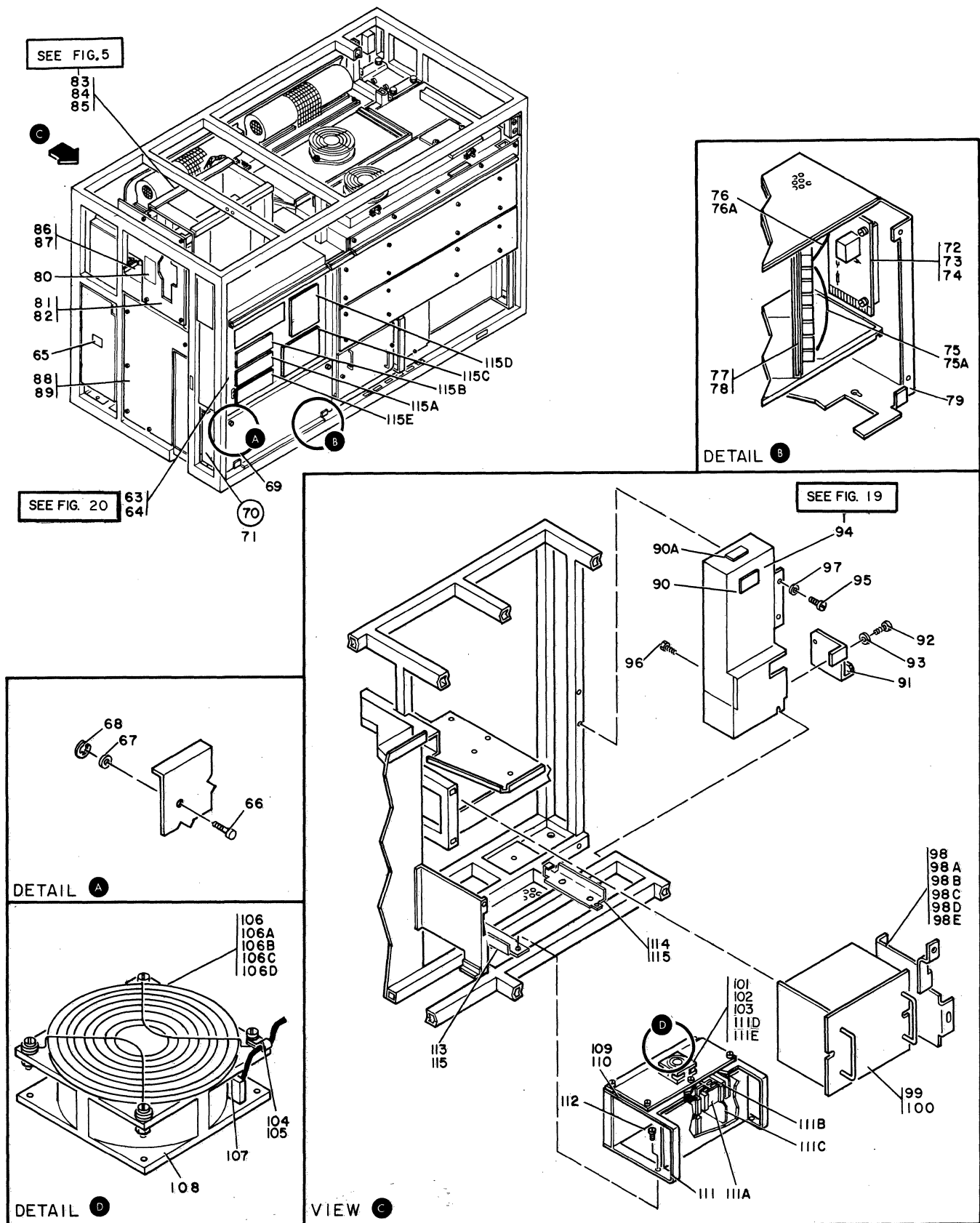
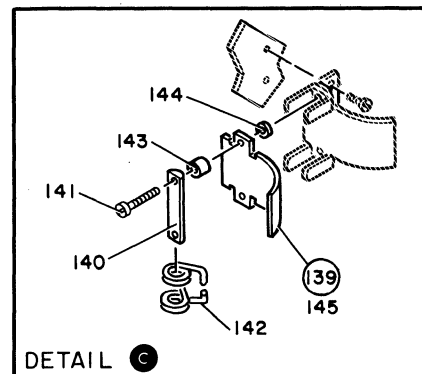
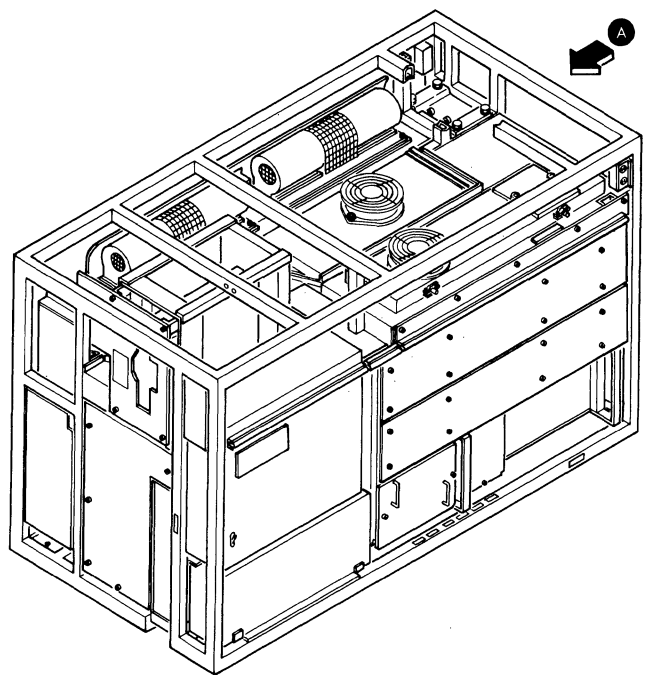


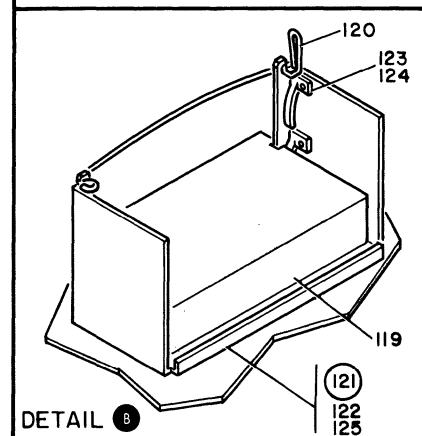
FIGURE 2. FINAL ASSEMBLY-FRAME 01. SHEET 2 OF 4. INDEX NOS. 63-115E. SEE LIST 2.

FINAL ASSEMBLY-FRAME 01

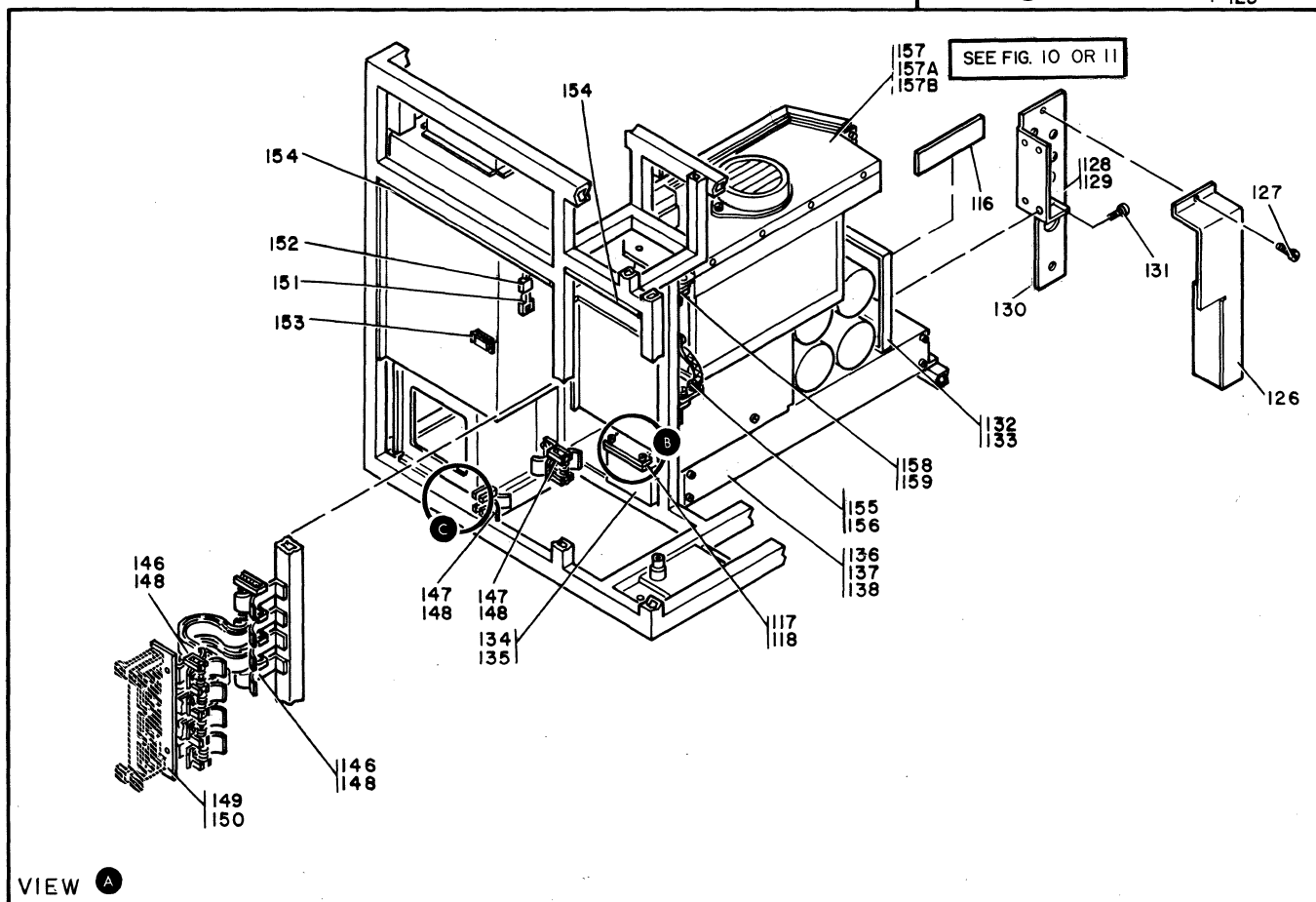
FIGURE- INDEX NUMBER	PART NUMBER	UNITS PER ASM.	DESCRIPTION			
			1	2	3	4
2 -106C	1622344	4
-106D	1622401	4
-107	8330691	1
			FOR CABLE COMPONENT PARTS SEE FIGURE 21			
-108	5562358	1
-109	4432815	1
-110	1621191	6
-111	4432590	1
-111A	375522	4
-111B	375520	1
-111C	372422	1
-111D	5501993	1
-111E	5501991	1
-112	1621190	2
-113	4432383	1
-114	4432384	1
-115	1621308	4
			SCREW,FL HD-M4 X 8 LG INDEX NOS. 109 THRU 115 ARE SECOND SOURCE ONLY			
-115A	845762	1
-115B	138756	1
-115C	4056733	1
-115C	4109341	1
			FIRST SOURCE ONLY			
-115C	4109390	1
			SECOND SOURCE ONLY			
-115D	369207	1
-115E	1622347	1



DETAIL C



DETAIL B



VIEW A

FIGURE 2. FINAL ASSEMBLY-FRAME 01. SHEET 3 OF 4. INDEX NOS. 116-159. SEE LIST 2.

FINAL ASSEMBLY-FRAME 01

FIGURE- INDEX NUMBER	PART NUMBER	UNITS PER ASM.	DESCRIPTION				
			1	2	3	4	
2 -116	4432799	1	
-117	6831361	1	
-118	1621020	2	ATT PT
-119	8483040	6	
-120	6831342	6	ATT PT
-121	4432803	6	
-122	1621210	12	ATT PT
-123	6831349	2	
-124	4432389	2	ATT PT
-125	6831341	1	
-126	6831348	1	
-127	1621060	2	ATT PT
-128	5271288	2	
-129	162117C	2	ATT PT
-130	6831347	1	
-131	1621060	4	ATT PT
-132	1310288	1	POWER SUPPLY ASM- 50/60 HZ (PS 104)
-133	1621210	4	ATT PT
-134	6831344	1	
-135	1621210	5	ATT PT
-136	6831346	1	
-137	1621060	4	ATT PT
-138	1621210	3	ATT PT
-139	815225	10	
-140	815220	1	
-141	815174	2	ATT PT
-142	813321	1	
-143	815219	2	
-144	816649	2	
-145	815217	1	
-146	815375	2	BACKPLATE- 4 POSITION
-147	815171	2	BACKPLATE
-148	1621210	8	ATT PT
-149	5578645	1	
-150	1621210	2	ATT PT
-151	524519	5	
-152	2277082	5	
-153	4432450	1	
-154	8483347	AR	
-155	1621210	1	
-156	1622347	1	
-157	1310329	NP	
-157	6831365	1	FOR DETAIL BREAKDOWN SEE FIGURE 10 GATE ASSEMBLY-GATE 01C DUMMY FOR DETAIL BREAKDOWN SEE FIGURE 11
-157A	1621210	1	ATT PT
-157B	1622306	1	ATT PT
-158	5578567	2	
-159	1621210	4	ATT PT

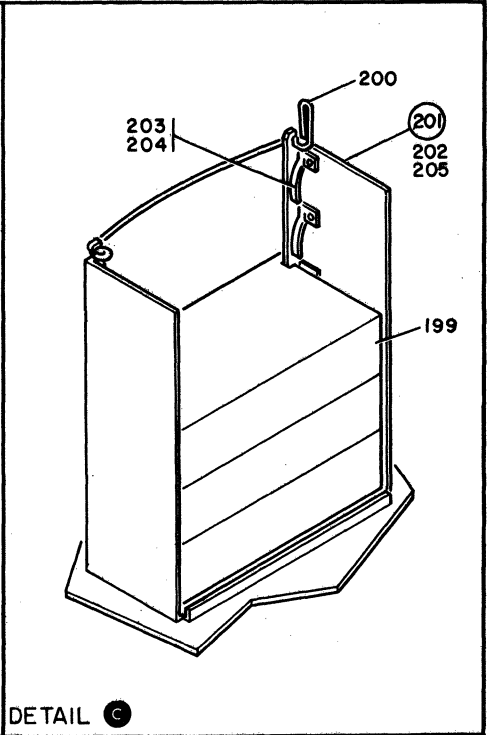
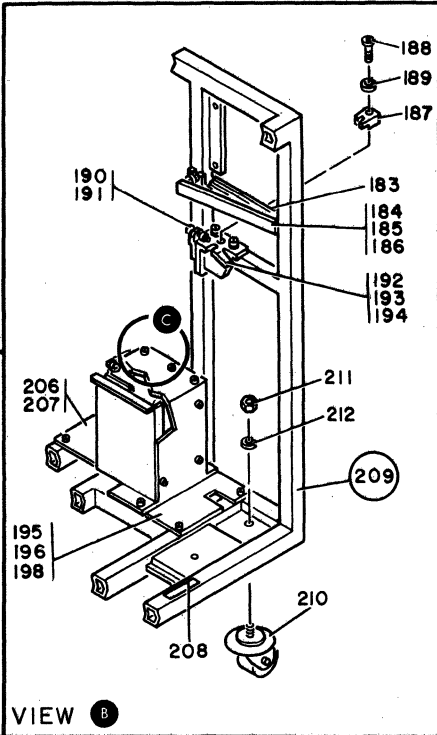
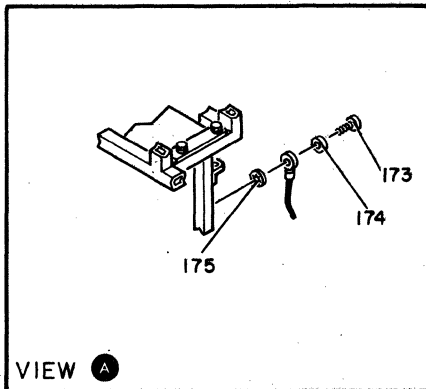
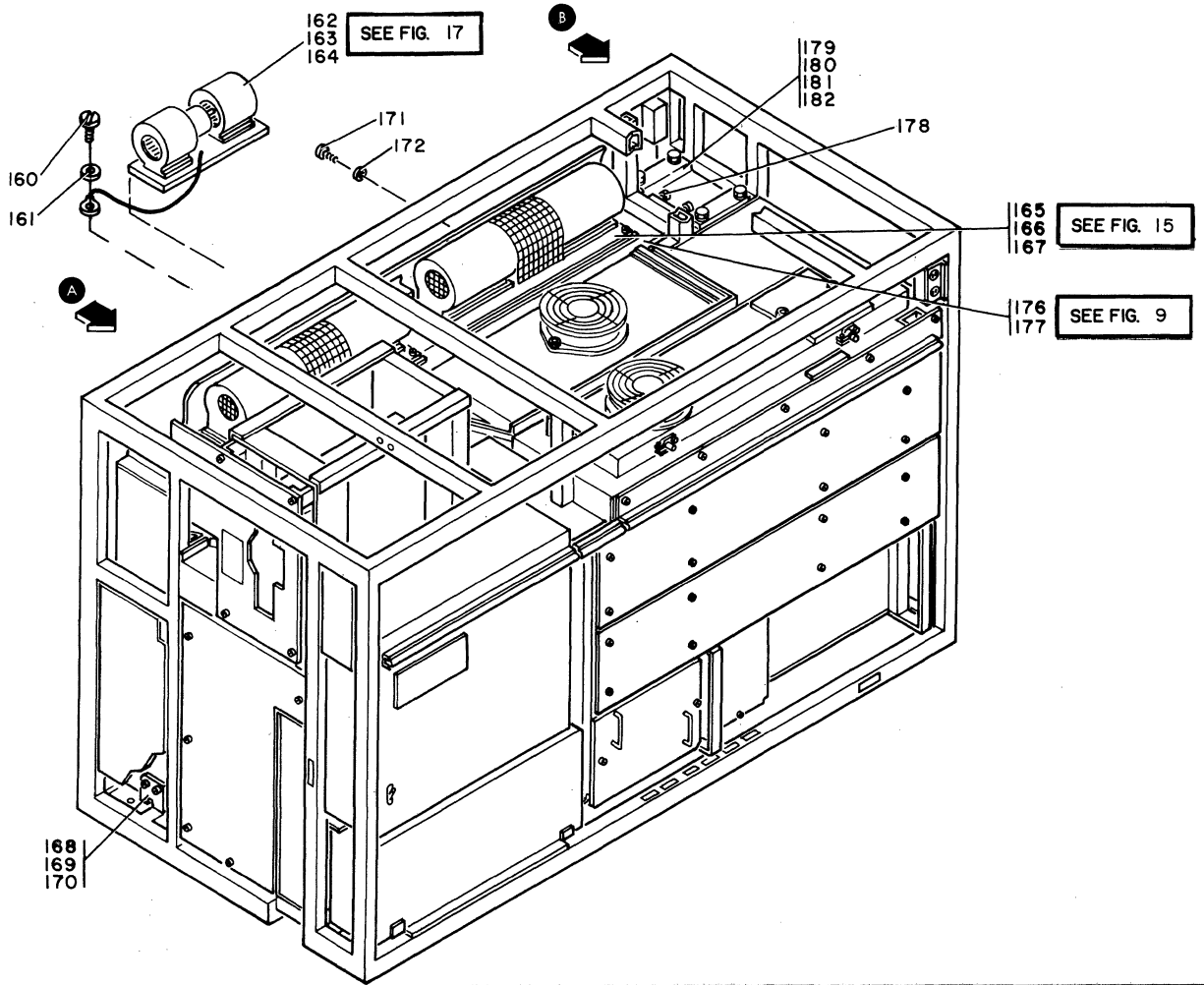
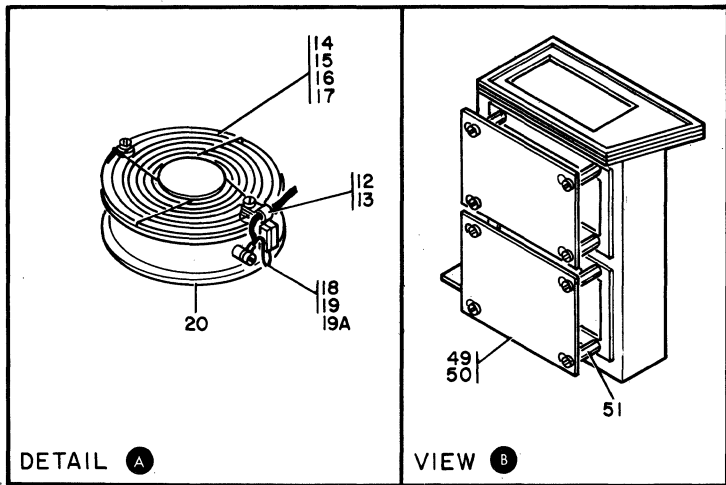
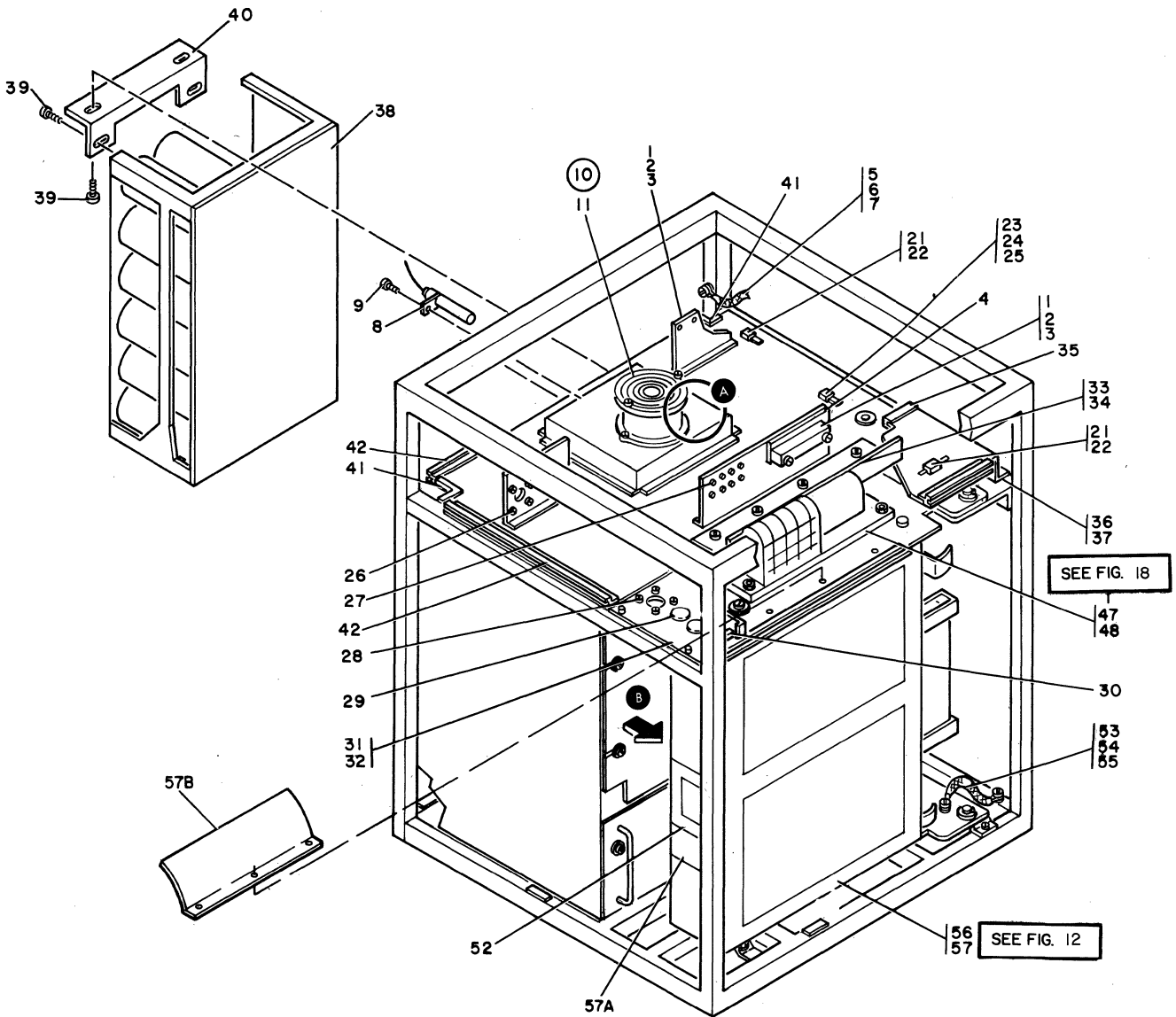


FIGURE 2. FINAL ASSEMBLY-FRAME 01. SHEET 4 OF 4. INDEX NOS. 160-212. SEE LIST 2.

FINAL ASSEMBLY-FRAME 01

FIGURE- INDEX NUMBER	PART NUMBER	UNITS PER ASM.	DESCRIPTION			
			1	2	3	4
2 -160	1621170	1	.	SCREW,PAN HD- M3 X L 6A		
-161	1622344	1	.	LCCKWASHER,EXT STAR- M3 X 294 THK		
-162	4432800	1	.	CCOLING UNIT ASSEMBLY-GATE 01A, 60HZ		
-162	4432810	1	.	CCOLING UNIT ASSEMBLY-GATE 01A, 50HZ		
				USED ON SECOND SOURCE GATE 01C ONLY		
				FOR DETAIL BREAKDOWN SEE FIGURE 17		
-163	1621212	4	.	SCREW,PAN HD-M5 X 16 LG		
-164	1622306	2	.	WASHER,FLAT,M6- 12.5 OD X 2 THK		ATT PT
-165	4124228	1	.	PLENUM AND BLOWER ASSEMBLY- 60 HZ		
-165	4124227	1	.	PLENUM AND BLOWER ASSEMBLY- 50 HZ		
				FIRST SOURCE		
-165	6831412	1	.	PLENUM AND BLOWER ASM, 60 HZ		
-165	6831411	1	.	PLENUM AND BLOWER ASM, 50 HZ		
				SECOND SOURCE ONLY		
				FOR DETAIL BREAKDOWN SEE FIGURE 15		
-166	1621190	5	.	SCREW,PAN HD- M4 X 8 LG		ATT PT
-167	1622304	5	.	WASHER,FL- M4 9 OD X 0.8 THK		ATT PT
-168	8483728	1	.	PLATE		
-169	1621518	2	.	SCREW,HEX SOC HD- M5 X 10 LG		ATT PT
-170	2125974	2	.	SPACER		ATT PT
-171	1621210	1	.	SCREW,PAN HD- M5 X 10 LG		
-172	1622335	1	.	LCCKWASHER,INT STAR- M5, 10 OD X .6		
-173	1621210	2	.	SCREW,PAN HD- M5 X 10 LG		
-174	2125974	2	.	SPACER		
-175	1622347	2	.	LCCKWASHER EXT STAR- M5, 10 OD X .6		
-176	5578810	NP	.	GATE ASSEMBLY-GATE 01A,60 HZ		
-176	6831355	NP	.	GATE ASSEMBLY-GATE 01A,50 HZ		
				FIRST SOURCE		
-176	6831357	1	.	GATE ASSEMBLY, 01C		
				SECOND SOURCE ONLY		
				FOR DETAIL BREAKDOWN SEE FIGURE 9		
-177	4014244	1	.	SPACER		
-178	1621539	2	.	SCREW,HEX SOC CAP HD-M8 X 25 LG		
-179	4124215	1	.	HINGE		
-180	1621295	4	.	SCREW,FL HD-M3.5 X 6 LG		ATT PT
-181	1622320	4	.	LCCKWASHER,SPLIT- M6,11.8 OD X 1.6 THK		ATT PT
-182	1622306	4	.	WASHER,FLAT,M6- 12.5 OD X 2 THK		ATT PT
-183	8483347	AR	.	SEAL		
-184	5578824	1	.	BRACKET		
-185	1621210	2	.	SCREW,PAN HD- M5 X 10 LG		ATT PT
-186	2125974	2	.	SEACER		ATT PT
-187	8483524	1	.	CLAMP,BOARD		
-188	1621522	1	.	SCREW,HEX SOC HD-M5 X 25 LG		ATT PT
-189	2125974	1	.	SPACER		ATT PT
-190	223781	1	.	SCREW ASM		
-191	3960	1	.	NUT,HEX- 1/4-20		ATT PT
-192	8483096	1	.	BRACKET		
-193	1621210	3	.	SCREW,PAN HD- M5 X 10 LG		ATT PT
-194	2125974	3	.	SEACER		ATT PT
-195	6831345	1	.	COVER		
-196	1621210	2	.	SCREW,PAN HD- M5 X 10 LG		ATT PT
-198	1621020	6	.	SCREW,CHEESE HD- M3 X 6 LG		ATT PT
-199	8483040	3	.	BRACKET,FILLER		
-200	6831342	1	.	CLIP,RETAINER		
-201	4432802	1	.	BRACKET ASM		
-202	1621210	2	.	SCREW,PAN HD- M5 X 10 LG		ATT PT
-203	6831349	5	.	SPRING		
-204	4432389	5	.	RIVET		ATT PT
-205	6831340	1	.	BRACKET		
-206	6831343	1	.	ERACKET		
-207	1621210	4	.	SCREW,PAN HD- M5 X 10 LG		ATT PT
-208	369207	1	.	LABEL		
-208	4056733	1	.	LABEL, GERMAN		
-209	6831310	1	.	FEAME ASM		
-210	471901	4	.	CASIER,GATE		
-211	186950	4	.	NUT,HEX 8-32		ATT PT
-212	130987	4	.	LCCKWASHER,SPLIT- 0.500 ID X 0.879 OD		ATT PT



FRAME 02

FIGURE 3. FINAL ASSEMBLY-FRAME 02. SHEET 1 OF 2. INDEX NOS. 1-57. SEE LIST 3.

FINAL ASSEMBLY-FRAME 02

FIGURE- INDEX NUMBER	PART NUMBER	UNITS PER ASM.	DESCRIPTION			
			1	2	3	4
3 -	4155177 NP	1	FINAL ASSEMBLY-FRAME 02 FOR ILLUSTRATION SEE FIGURE 3			
- 1	1799218	2	. ELOCK, TERMINAL			
- 2	1621215	4	. SCREW, PAN HD-M5 X 30 LG			
- 3	1799206	2	. INSULATOR, TERMINAL BOARD			
- 4	845762	1	. LABEL, VOLTAGE			
- 5	2101376	1	. STRAP, GROUND- 10 AWG			
- 6	1621210	1	. SCREW, PAN HD- M5 X 10 LG			
- 7	1622347	1	. LOCKWASHER EXT STAR- M5, 10 OD X .6			
- 8	5578666	1	. SENSOR, AIR FLOW			
- 9	1621170	1	. SCREW, PAN HD- M3 X L 6A			
- 10	4123900	1	. FAN ASM- 50/60 HZ			
- 11	1622403	2	. NUT, DBL CHAMFERED HEX M4 X 3.2 THK			
- 12	825559	1	. . CLAMP			
- 13	1621195	1	. . SCREW, PAN HD-M4 X 30 LG			
- 14	4123902	1	. . GUARD, PAN			
- 15	1621194	1	. . SCREW, PAN HD-M4 X 20 LG			
- 16	1622346	2	. . LOCKWASHER, EXT STAR- M4, 8 OD X .5			
- 17	1622403	2	. . NUT, DBL CHAMFERED HEX M4 X 3.2 THK			
- 18	4124247	1	. . CABLE ASM-PAN			
- 19	1673983	1	. . SCREW			
- 19A	1622347	1	. . LOCKWASHER EXT STAR- M5, 10 OD X .6			
- 20	2549540	1	. . FAN, TUBE AXIAL- 200/240 V 50/60 HZ			
- 21	524519	3	. TIE, CABLE			
- 22	2277082	3	. MOUNT, PUSH SWITCH			
- 23	825559	1	. CIAMP			
- 24	2637669	1	. CLAMP			
- 25	1621190	1	. SCREW, PAN HD- M4 X 8 LG			
- 26	1621171	12	. SCREW, PAN HD- M3 X 8 LG			
- 27	1621210	16	. SCREW, PAN HD- M5 X 10 LG			
- 28	1621171	AR	. SCREW, PAN HD- M3 X 8 LG			
- 29	850070	AR	. PLUG- 1.50 HOLE			
- 30	8483347	AR	. SEAL			
- 31	5578545	1	. BARRIER			
- 32	1621210	4	. SCREW, PAN HD- M5 X 10 LG			
- 33	5578546	1	. BRACKET			
- 34	1621210	4	. SCREW, PAN HD- M5 X 10 LG			
- 35	8483347	AR	. SEAL			
- 36	5578551	1	. BARRIER			
- 37	1621210	2	. SCREW, PAN HD- M5 X 10 LG			
- 38	4151659	1	. POWER SUPPLY ASM- 50/60 HZ (PS 201)			
- 39	1621210	6	. SCREW, PAN HD- M5 X 10 LG			
- 40	1310161	1	. BRACKET			
- 41	730432	AR	. GROMMET, CATERPILLAR			
- 42	8483347	1	. SEAL			
- 45	1621170	1	. SCREW, PAN HD- M3 X L 6A			
- 46	1622344	1	. LOCKWASHER, EXT STAR- M3 X 294 THK			
- 47	8330712	1	. COOLING UNIT ASSEMBLY-GATE 02, 60 HZ			
- 47	8330711	1	. COOLING UNIT ASSEMBLY-GATE 02, 50 HZ			
- 48	1622402	4	. NUT, DBL CHAMFERED HEX-M 3.5 X 2.8 THK			
- 49	8330658	2	. COVER, SAFETY			
- 50	1621170	8	. SCREW, PAN HD- M3 X L 6A			
- 51	8330659	8	. STANDOFF			
- 52	6831364	1	. LABEL			
- 53	526098	1	. STRAP			
- 54	1621198	2	. SCREW, PAN HD-M4 X 4 LG			
- 55	1622346	2	. LOCKWASHER, EXT STAR- M4, 8 OD X .5			
- 56	4432600	1	. GATE ASSEMBLY-GATE 02			
- 56	1310330	1	. GATE ASSEMBLY, 02			
- 57	219743	2	. RING, RETAINING EXT- 0.392 ID X 0.042 THK			
- 57A	4109347	1	. LABEL			
- 57B	4109379	1	. BARRIER			

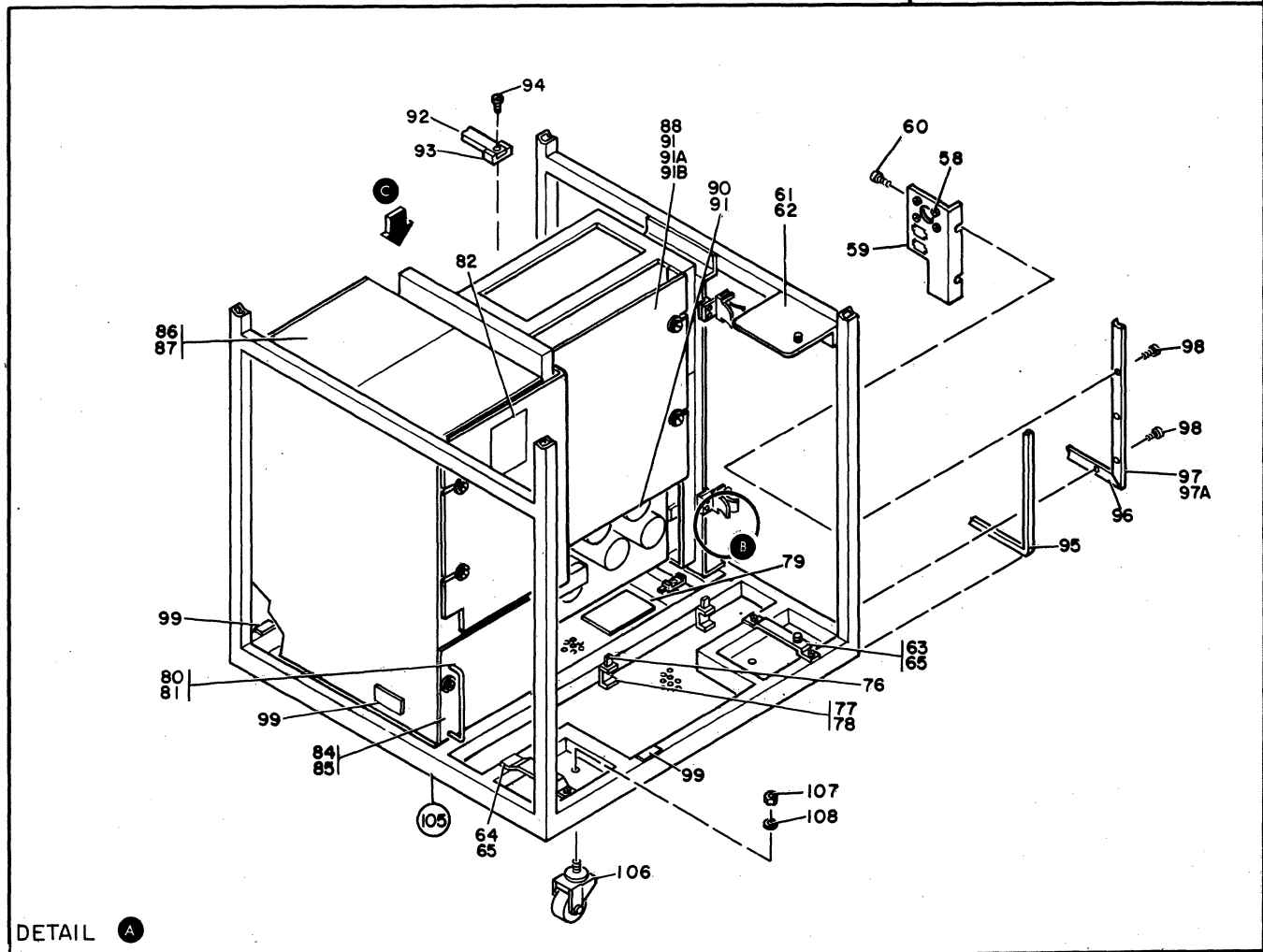
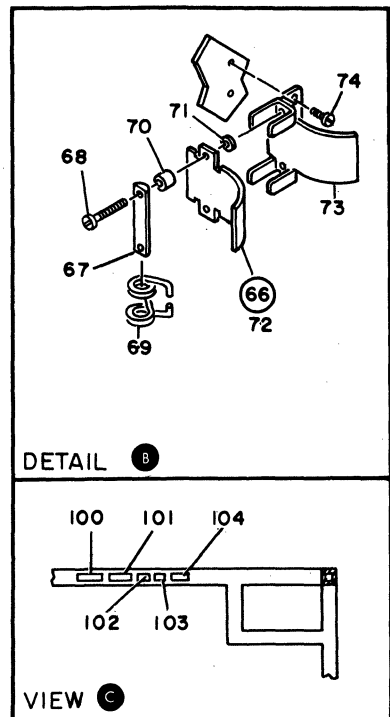
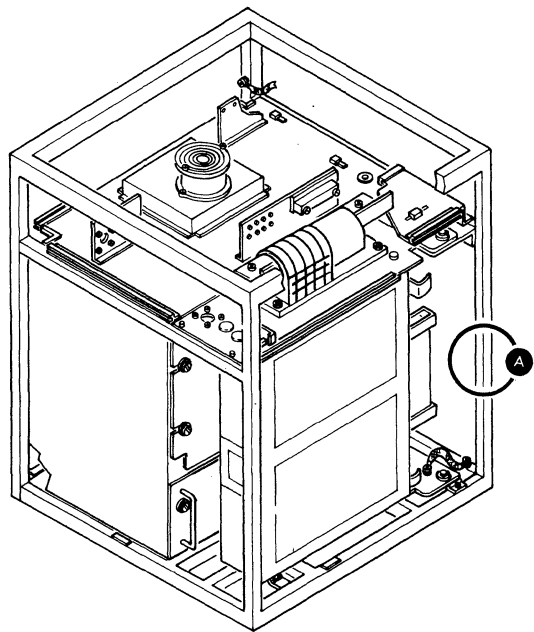
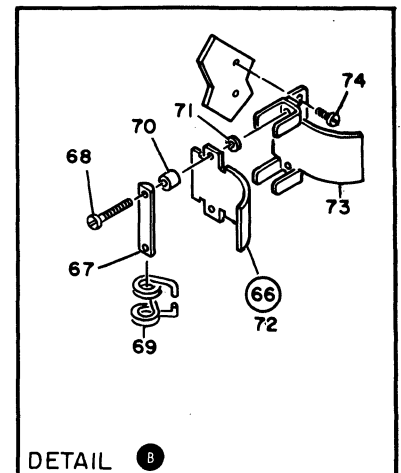
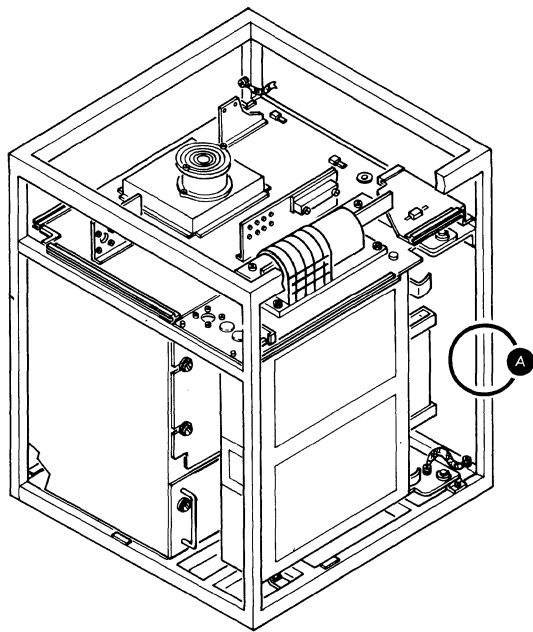


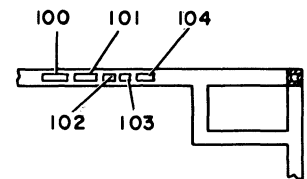
FIGURE 3. PINAL ASSEMBLY-FRAME 02. SHEET 2 OF 2. INDEX NOS. 58-108. SEE LIST J.

FINAL ASSEMBLY-FRAME 02

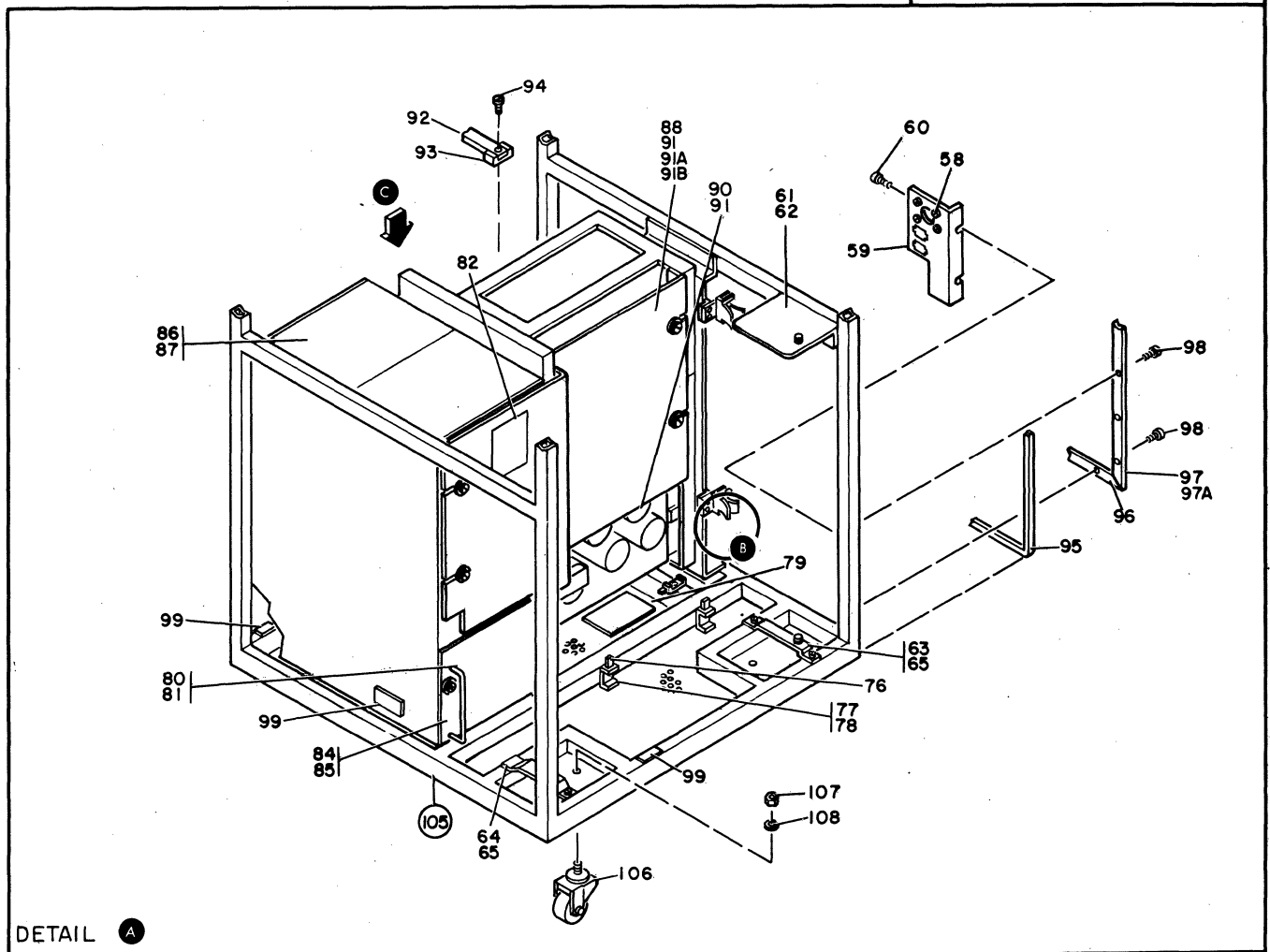
FIGURE- INDEX NUMBER	PART NUMBER	UNITS PER ASM.	DESCRIPTION			
			1	2	3	4
3 - 58	1621171	4	. SCREW,PAN HD-	M3 X 8 LG		
- 59	1310483	1	. BRACKET			
- 60	1621210	2	. SCREW,PAN HD-	M5 X 10 LG	ATT PT	
- 61	5578550	1	. BRACKET,HINGE			
- 62	1621210	2	. SCREW,PAN HD-	M5 X 10 LG	ATT PT	
- 63	5578549	1	. BRACKET			
- 64	5578556	1	. BRACKET			
- 65	1621210	5	. SCREW,PAN HD-	M5 X 10 LG	ATT PT	
- 66	815225	2	. CLAMP			
- 67	815220	1	. EAR			
- 68	815174	2	. SCREW,HEX SOC HD	8-32 X 1.750 LG	ATT PT	
- 69	813321	1	. SPRING			
- 70	815219	2	. SPACER			
- 71	816649	2	. RETAINER			
- 72	815217	1	. PLATE			
- 73	815171	2	. BACKPLATE			
- 74	1621190	4	. SCREW,PAN HD-	M4 X 8 LG	ATT PT	
- 76	825559	1	. CLAMP			
- 77	2637669	6	. CLAMP			
- 78	1621190	6	. SCREW,PAN HD-	M4 X 8 LG	ATT PT	
- 79	2542403	1	. LABEL,FUSE WARNING			
- 80	4432851	1	. COVER			
- 81	1621210	4	. SCREW,PAN HD-	M5 X 10 LG	ATT PT	
- 82	4109342	1	. LABEL			
- 84	4151648	1	. T/R PAC ASM-	60 HZ (TR 202)		
- 84	4151647	1	. T/R PAC ASM-	50 HZ (TR 202)		
- 85	1621210	2	. SCREW,PAN HD-	M5 X 10 LG	ATT PT	
- 86	4124198	1	. T/R PAC ASM-	60 HZ (TR 201)		
- 86	4124208	1	. T/R PAC ASM-	50 HZ (TR 201)		
			ALL TR 201 T/R PAC ASMS MUST BE REPLACED TOGETHER IN SETS OF 3,WITH MATCHING SERIAL NUMBERS			
- 87	1621210	6	. SCREW,PAN HD-	M5 X 10 LG	ATT PT	
- 88	4432866	1	. POWER SUPPLY ASM			
- 89	1310275	1	. POWER SUPPLY ASM.			
- 90	1310260	1	. POWER SUPPLY ASM-	60 HZ (PS 205)		
- 90	1310255	1	. POWER SUPPLY ASM-	50 HZ (PS 205)		
- 91	1621210	6	. SCREW,PAN HD-	M5 X 10 LG	ATT PT	
- 91A	150390	6	. WASHER,FL-	0.250 ID X 0.625 OD	ATT PT	
- 91B	1622319	6	. WASHER,LOCKING SPRING,M5-	9.2 OD X 1.2 T	ATT PT	
- 92	524519	1	. CLAMP			
- 93	2637669	1	. CLAMP			
- 94	1621190	1	. SCREW,PAN HD-	M4 X 8 LG	ATT PT	
- 95	8483347	1	. SEAL			
- 96	1310012	2	. FILLER,FRAME			
- 97	1310011	2	. FILLER,FRAME			
- 97A	1310013	1	. BARRIER			
- 98	1621210	22	. SCREW,PAN HD-	M5 X 10 LG	ATT PT	
- 99	369207	3	. LABEL			
- 99	4056733	3	. LABEL, GERMAN			
-100	855284	1	. PLATE,MFG EXPORT			
-101	855264	1	. PLATE,MANUFACTURED BY USA			
-101	855265	1	. PLATE,MFG BY IBM-CANADA			
-101	855266	1	. PLATE,MFG BY WTC			
-101	855267	1	. PLATE,MANUFACTURED FOR USA			
-101	855268	1	. PLATE,MANUFACTURED FOR			
-101	855269	1	. PLATE,MANUFACTURED FOR WT			
-101	855270	1	. PLATE,RECONDITIONED BY USA			
-101	855272	1	. PLATE,RECONDITIONED BY WT			
-101	855273	1	. PLATE,RENOVATED BY USA			
-101	855275	1	. PLATE,RENOVATED BY WT			
-101	855276	1	. PLATE,RECONDITIONED FOR USA			
-101	855278	1	. PLATE,RECONDITIONED FOR WT			
-101	855279	1	. PLATE,RENOVATED FOR USA			
-101	855281	1	. PLATE,RENOVATED FOR WT			
			THE FOLLOWING PROPERTY PLATES ARE FOR DOMESTIC AND WORLD TRADE USE			
-101	855262	1	. PLATE,PROP IBM ARM			
-101	855263	1	. PLATE,PROP IBM W.T.			
-101	960746	1	. PLATE,PROPERTY OF CANADA			
-101	1310782	1	. PLATE,PROPERTY-ARGENTINA			
-101	1976194	1	. PLATE,PROPERTY-JAPAN			
-101	2418180	1	. PLATE, PROPERTY-ITALIA			
-101	2992717	1	. PLATE,PROPERTY-FRENCH			
-101	4056393	1	. PLATE,PROPERTY-WT			



DETAIL B



VIEW C

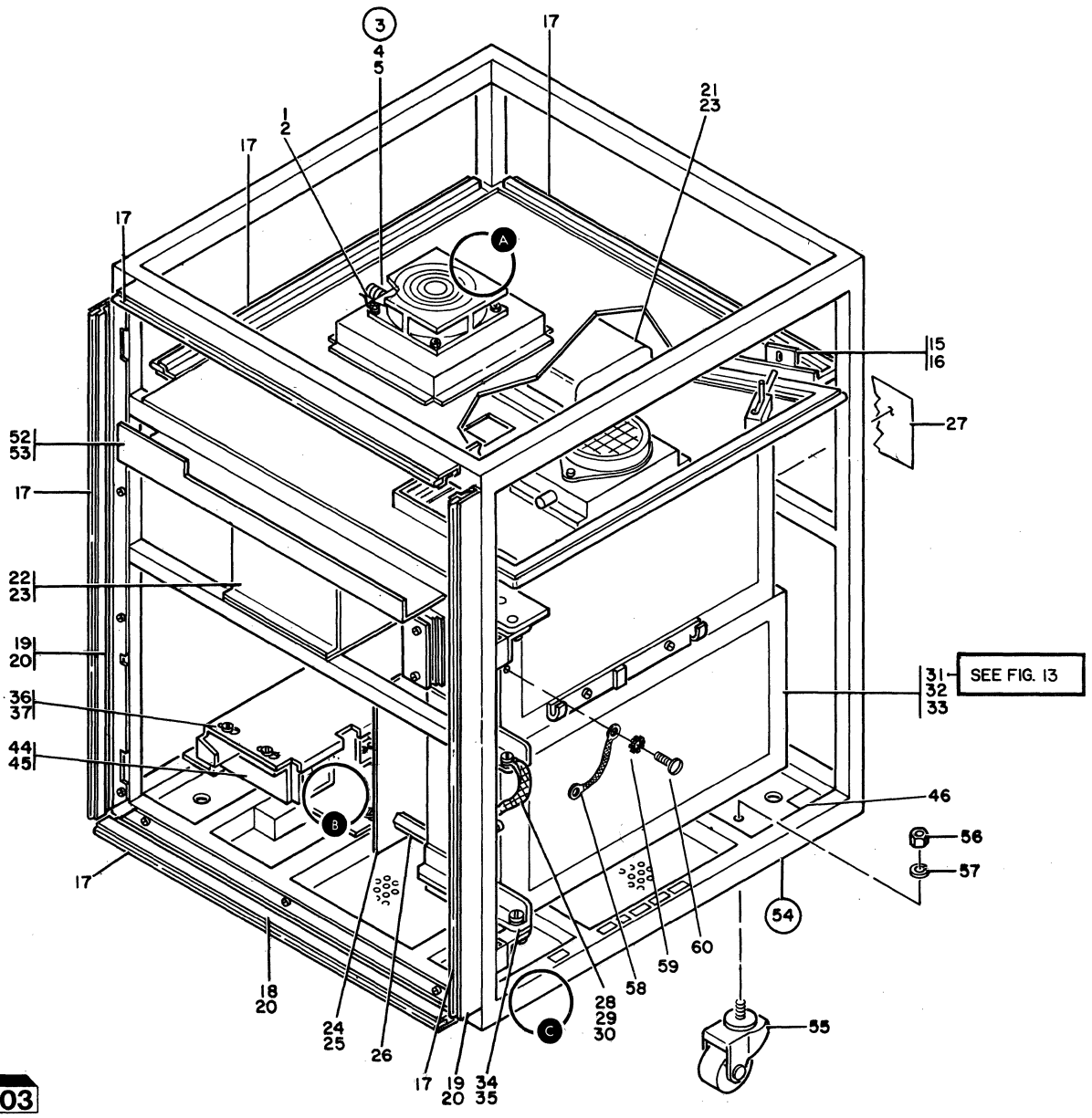


DETAIL A

FIGURE 3. FINAL ASSEMBLY-FRAME 02. SHEET 2 OF 2. INDEX NOS. 58-108. SEE LIST 3.

FINAL ASSEMBLY-FRAME 02

FIGURE- INDEX NUMBER	PART NUMBER	UNITS PER ASM.	DESCRIPTION			
			1	2	3	4
3	-101	4134351	1	.	PLATE, PROPERTY-AUSTRALIA	
	-101	4134352	1	.	PLATE, PROPERTY-BAHAMAS	
	-101	4134353	1	.	PLATE, PROPERTY-BELGIUM	
	-101	4134354	1	.	PLATE, PROPERTY-BOLIVIA	
	-101	4134355	1	.	PLATE, PROPERTY-CHILE	
	-101	4134356	1	.	PLATE, PROPERTY-COLUMBIA	
	-101	4134357	1	.	PLATE, PROPERTY-COSTA RICA	
	-101	4134358	1	.	PLATE, PROPERTY-DENMARK	
	-101	4134359	1	.	PLATE, PROPERTY-ECUADOR	
	-101	4134360	1	.	PLATE, PROPERTY-FINLAND	
	-101	4134361	1	.	PLATE, PROPERTY-GUATEMALA	
	-101	4134362	1	.	PLATE, PROPERTY-IRELAND	
	-101	4134363	1	.	PLATE, PROPERTY-KOREA	
	-101	4134364	1	.	PLATE, PROPERTY-MEXICO	
	-101	4134365	1	.	PLATE, PROPERTY-NORWAY	
	-101	4134366	1	.	PLATE, PROPERTY-PANAMA	
	-101	4134367	1	.	PLATE, PROPERTY-PERU	
	-101	4134368	1	.	PLATE, PROPERTY-PHILIPPINES	
	-101	4134369	1	.	PLATE, PROPERTY-PORTUGAL	
	-101	4134370	1	.	PLATE, PROPERTY-SOUTH AFRICA	
	-101	4134371	1	.	PLATE, PROPERTY-SPAIN	
	-101	4134372	1	.	PLATE, PROPERTY-SWITZERLAND	
	-101	4134373	1	.	PLATE, PROPERTY-TAIWAN	
	-101	4134374	1	.	PLATE, PROPERTY-THAILAND	
	-101	4134375	1	.	PLATE, PROPERTY-URUGUAY	
	-101	4134376	1	.	PLATE, PROPERTY-VENEZUELA	
	-101	4134580	1	.	PLATE, PROPERTY-WT/AMER/FAR EAST	
	-101	4134581	1	.	PLATE, PROPERTY-WT EUROPE/MID	
	-101	4134582	1	.	PLATE, PROPERTY-AUSTRIA	
	-101	4134583	1	.	PLATE, PROPERTY-NEW ZEALAND	
	-101	4134584	1	.	PLATE, PROPERTY-NIGERIA	
	-101	4135783	1	.	PLATE, PROPERTY-NETHERLANDS	
	-101	5054478	1	.	PLATE, PROPERTY-SWEDEN	
	-101	5576379	1	.	PLATE, PROPERTY-MADAGASCAR	
	-101	5966292	1	.	PLATE, PROPERTY-INDIA	
	-101	6003013	1	.	PLATE, PROPERTY-BRAZIL	
	-101	8112294	1	.	PLATE, PROPERTY-UNITED KINGDOM	
	-101	8330628	1	.	PLATE, PROPERTY-WHITE PLAINS	
	-102	855286	1	.	PLATE, U.L. APPROVAL	
	-102	960766	1	.	PLATE, CSA INSIGNIA	
	-103	855283	1	.	PLATE, SERIAL NO. RIGHT	
	-104	855282	1	.	PLATE, SERIAL NO. LEFT	
	-105	1310005	1	.	FRAME ASM	
	-106	471901	4	.	CASTER, GATE	
	-107	186950	4	.	NUT, HEX 8-32	ATT PT
	-108	130987	4	.	LOCKWASHER, SPLIT- 0.500 ID X 0.879 OD	ATT PT



FRAME 03

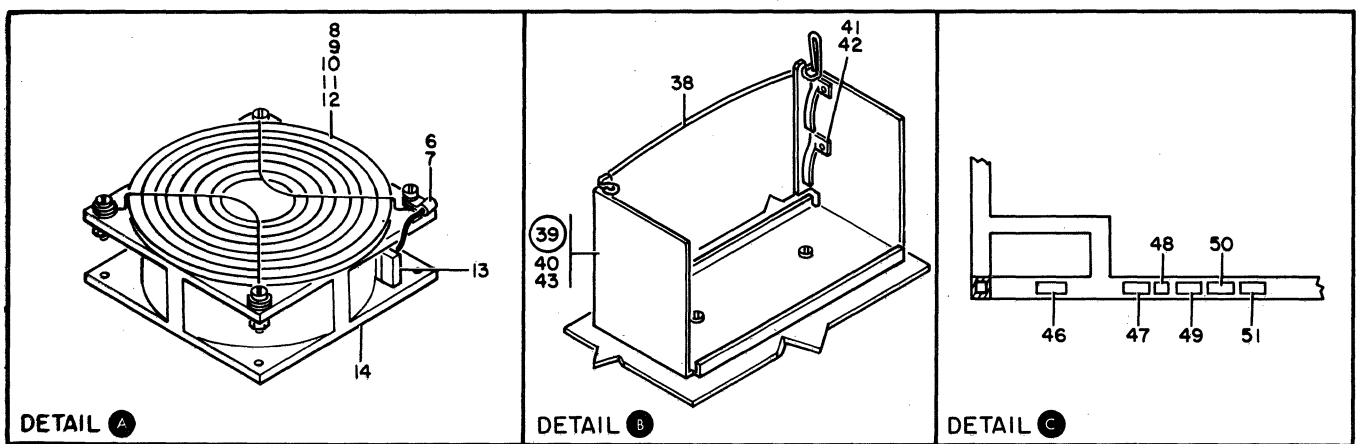
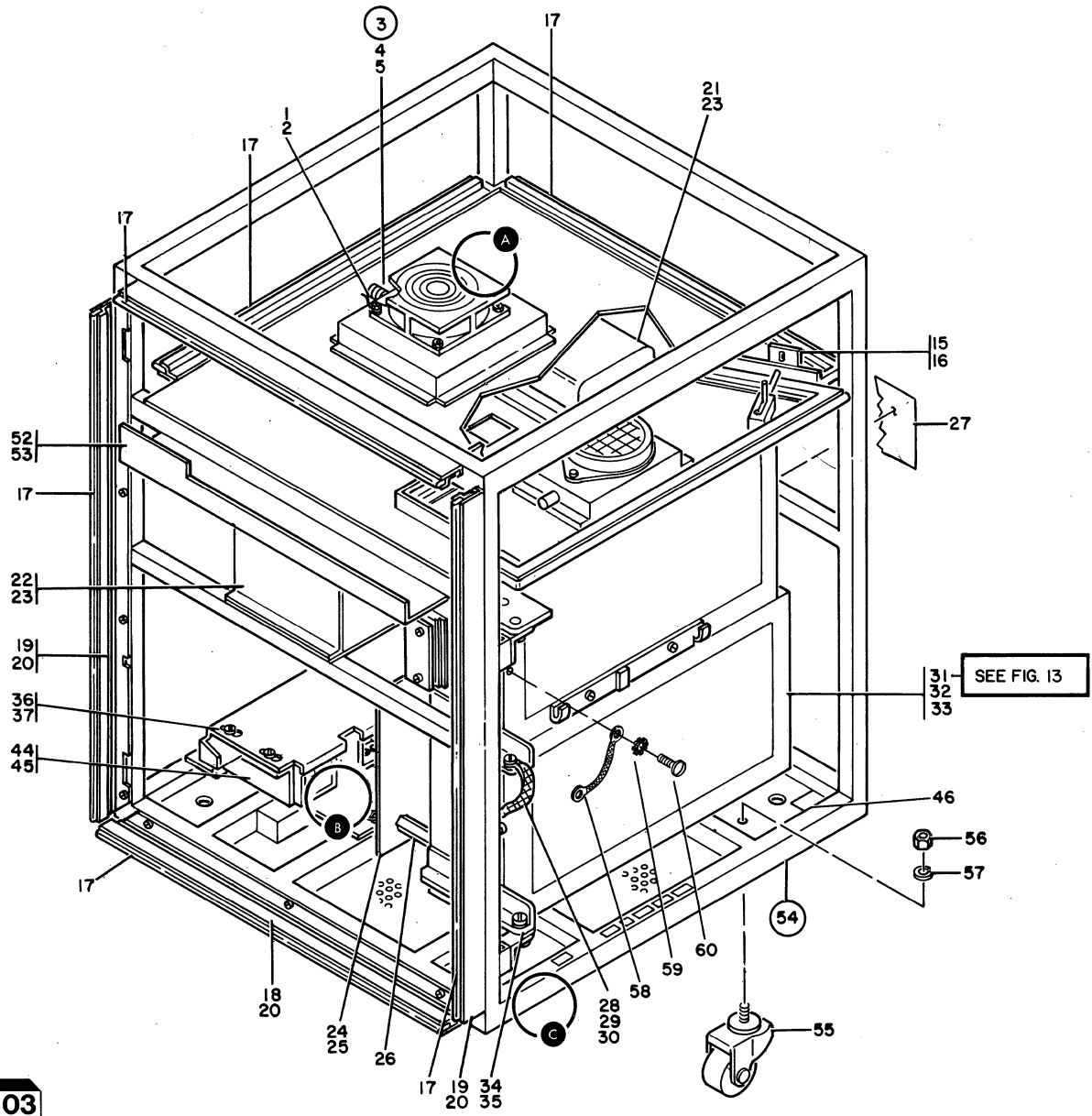


FIGURE 4. FINAL ASSEMBLY-FRAME 03. SEE LIST 4.

FINAL ASSEMBLY-FRAME 03

FIGURE- INDEX NUMBER	PART NUMBER	UNITS PER ASM.	DESCRIPTION			
			1	2	3	4
4 -	6831471 NP	REF	FINAL ASSEMBLY-FRAME 03, 60 HZ			
-	6831383 NP	REF	FINAL ASSEMBLY-FRAME 03, 50 HZ			
			FOR ILLUSTRATION SEE FIGURE 4			
- 1	5578666	1	. SENSOR, AIR FLOW			
- 2	1621170	1	. SCREW, PAN HD- M3 X L 6A			
- 3	8330692	1	. FAN ASM			
- 4	1622403	4	. NUT, DBL CHAMFERED HEX M4 X 3.2 THK			
- 5	1622344	1	. LCKWASHER, EXT STAR- M3 X 294 THK			
- 6	825559	1	. CLAMP			
- 7	1621174	1	. SCREW-MACH PAN HD, M3 X 16 LG			
- 8	2172166	1	. GUARD			
- 9	1621173	3	. SCREW, PAN HD-M3 X 12 LG			
- 10	1622302	4	. WASHER, FL-M3 7 OD X 0.5 THK			
- 11	1622344	4	. LOCKWASHER, EXT STAR- M3 X 294 THK			
- 12	1622401	4	. NUT, DBL CHAMFERED HEX M3 X 2.4 THK			
- 13	8330691	1	. CABLE ASM-FAN			
			FOR CABLE COMPONENT PARTS SEE FIGURE 21			
- 14	5562358	1	. FAN			
- 15	4124231	1	. BRACKET			
- 16	1621210	2	. SCREW, PAN HD- M5 X 10 LG			
- 17	8483347	AR	. SEAL			
- 18	1310012	2	. FILLER, FRAME			
- 19	1310011	2	. FILLER, FRAME			
- 20	1621210	14	. SCREW, PAN HD- M5 X 10 LG			
- 21	4151668	1	. T/R PAC ASM- 60 HZ (TR 301)			
- 21	4151656	1	. T/R PAC ASM- 50 HZ (TR 301)			
- 22	4151669	1	. POWER SUPPLY ASM- 50/60 HZ (PS 301)			
- 23	1621210	2	. SCREW, PAN HD- M5 X 10 LG			
- 24	8330658	1	. COVER, SAFETY			
- 25	162117C	4	. SCREW, PAN HD- M3 X L 6A			
- 26	8330659	4	. STANDOFF			
- 27	6831327	1	. LABEL			
- 28	526098	1	. STRAP			
- 29	1621210	1	. SCREW, PAN HD- M5 X 10 LG			
- 30	1622347	1	. LCKWASHER EXT STAR- M5, 10 OD X .6			
- 31	6831336	1	. GATE ASSEMBLY-GATE 03			
			FOR DETAIL BREAKDOWN SEE FIGURE 13			
- 32	1621210	1	. SCREW, PAN HD- M5 X 10 LG			
- 33	1622306	1	. WASHER, FLAT, M6- 12.5 OD X 2 THK			
- 34	5578567	2	. BRACKET			
- 35	1621210	4	. SCREW, PAN HD- M5 X 10 LG			
- 36	4432851	1	. COVER			
- 37	2549780	7	. SCREW AND LOCKWASHER-THD FORM-M3 X 6 LG			
- 38	6831342	4	. CLIP, RETAINER			
- 39	4432803	4	. BRACKET ASM			
- 40	2549780	8	. SCREW AND LOCKWASHER-THD FORM-M3 X 6 LG			
- 41	6831349	2	. SPRING			
- 42	4432389	2	. RIVET			
- 43	6831341	1	. BRACKET			
- 44	4432852	1	. FRAME			
- 45	2549780	5	. SCREW AND LOCKWASHER-THD FORM-M3 X 6 LG			
- 46	369207	3	. LABEL			
- 46	4056733	1	. LABEL-WT-GERMAN			
			SUBSTITUTE FOR GERMANY ONLY			
- 47	855282	1	. PLATE, SERIAL NO. LEFT			
- 48	855283	1	. PLATE, SERIAL NO. RIGHT			
- 49	855286	1	. PLATE, U.L. APPROVAL			
- 49	960766	1	. PLATE, CSA INSIGNIA			
- 50	855264	1	. PLATE, MANUFACTURED BY USA			
- 50	855265	1	. PLATE, MFG BY IBM-CANADA			
- 50	855266	1	. PLATE, MFG BY WTC			
- 50	855267	1	. PLATE, MANUFACTURED FOR USA			
- 50	855268	1	. PLATE, MANUFACTURED FOR			
- 50	855269	1	. PLATE, MANUFACTURED FOR WT			
- 50	855270	1	. PLATE, RECONDITIONED BY USA			
- 50	855272	1	. PLATE, RECONDITIONED BY WT			
- 50	855273	1	. PLATE, RENOVATED BY USA			
- 50	855275	1	. PLATE, RENOVATED BY WT			
- 50	855276	1	. PLATE, RECONDITIONED FOR USA			
- 50	855278	1	. PLATE, RECONDITIONED FOR WT			
- 50	855279	1	. PLATE, RENOVATED FOR USA			
- 50	855281	1	. PLATE, RENOVATED FOR WT			
			THE FOLLOWING PROPERTY PLATES ARE FOR DOMESTIC AND WORLD TRADE USE			
- 50	855262	1	. PLATE, PROP IBM ARM			



FRAME 03

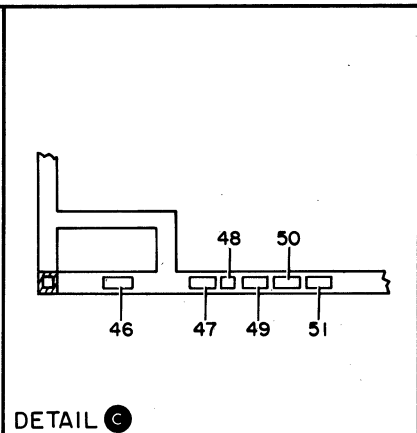
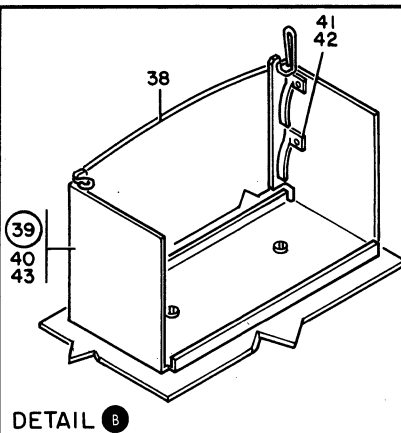
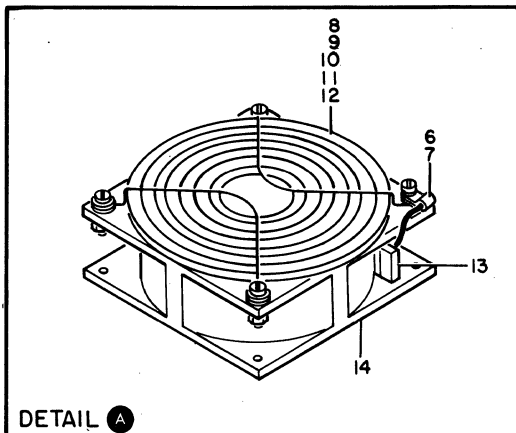


FIGURE 4. FINAL ASSEMBLY-FRAME 03. SEE LIST 4.

FINAL ASSEMBLY-FRAME 03

FIGURE- INDEX NUMBER	PART NUMBER	UNITS PER ASM.	DESCRIPTION			
			1	2	3	4
4 - 50	855263	1
- 50	960746	1
- 50	1310782	1
- 50	1976194	1
- 50	241818C	1
- 50	2992717	1
- 50	4056393	1
- 50	4134351	1
- 50	4134352	1
- 50	4134353	1
- 50	4134354	1
- 50	4134355	1
- 50	4134356	1
- 50	4134357	1
- 50	4134358	1
- 50	4134359	1
- 50	4134360	1
- 50	4134361	1
- 50	4134362	1
- 50	4134363	1
- 50	4134364	1
- 50	4134365	1
- 50	4134366	1
- 50	4134367	1
- 50	4134368	1
- 50	4134369	1
- 50	413437C	1
- 50	4134371	1
- 50	4134372	1
- 50	4134373	1
- 50	4134374	1
- 50	4134375	1
- 50	4134376	1
- 50	4134580	1
- 50	4134581	1
- 50	4134582	1
- 50	4134583	1
- 50	4134584	1
- 50	4135783	1
- 50	5054478	1
- 50	5576379	1
- 50	5966292	1
- 50	6003013	1
- 50	8112294	1
- 50	8330628	1
- 51	855284	1
- 51	855264	1
- 52	1310013	1
- 53	1621210	3	.	.	.	ATT PT
- 54	6831330	1
- 55	471901	4
- 56	186950	4	.	.	.	ATT PT
- 57	130987	4	.	.	.	ATT PT
- 58	2101376	1
- 59	1622347	1	.	.	.	ATT PT
- 60	1621210	1	.	.	.	ATT PT

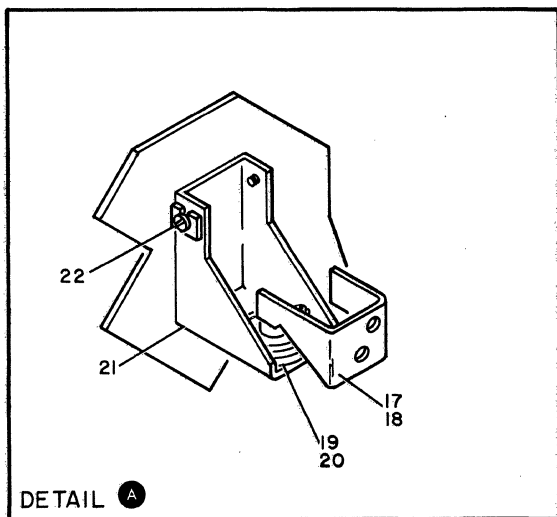
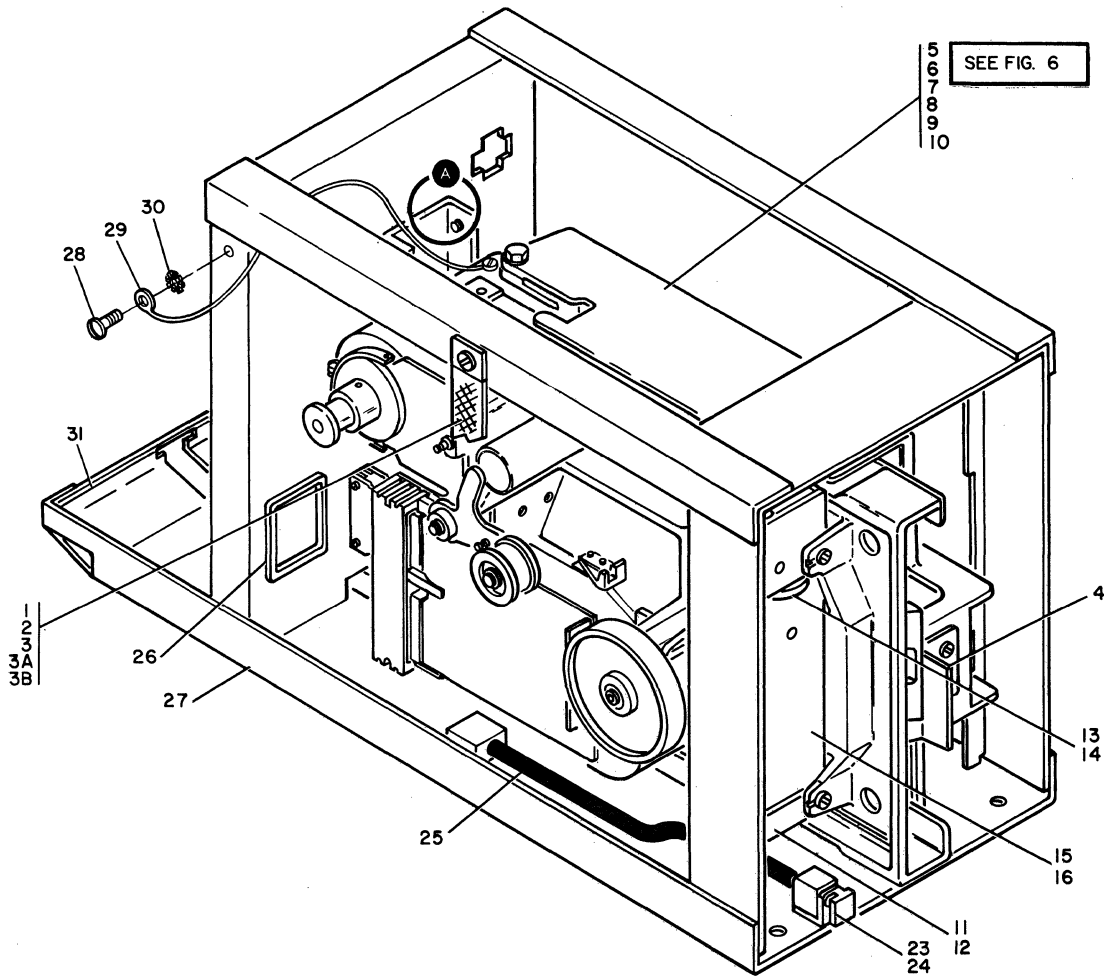


FIGURE 5. FILE MOUNTING ASSEMBLY. SEE LIST 5.

FILE MOUNTING ASSEMBLY

FIGURE- INDEX NUMBER	PART NUMBER	UNITS PER ASM.	DESCRIPTION			
			1	2	3	4
5 -	6831442 NP	REF	FILE MOUNTING ASSEMBLY- 60 HZ			
-	6831443 NP	REF	FILE MOUNTING ASSEMBLY- 50 HZ			
			FOR NEXT HIGHER ASM SEE FIGURE 2-83			
			AND FOR ILLUSTRATION SEE FIGURE 5			
- 1	825927	1	. JUMPER ASM			
- 2	1621182	1	. SCREW,PAN HD-M3.5 X 8 LG ATT PT			
- 3	1622346	1	. LCCKWASHER,EXT STAR- M4, 8 OD X .5 ATT PT			
- 3A	1621210	1	. SCRRW,PAN HD- M5 X 10 LG			
			USED TO ATTACH GROUND TO FRAME			
- 3B	1622347	1	. LCCKWASHER EXT STAR- M5, 10 OD X .6			
			USED TO ATTACH GROUND TO FRAME			
- 4	4432386	1	. BRACKET			
- 5	4178009	1	. 2 SIDED DISKETTE DRIVE ASM- 60 HZ			
- 5	4178011	1	. 2 SIDED DISKETTE DRIVE ASM- 50 HZ			
			FOR DETAIL BREAKDOWN SEE FIGURE 6			
- 6	25627	2	. SCREW,BD HD- 8-32 X 0.500 LG ATT PT			
- 7	55901	2	. LOCKWASHER,EXT TEETH- 0.176 ID X .381 OD ATT PT			
- 8	5677	2	. SCREW,BD HD- 10-32 X 0.750 LG ATT PT			
- 9	45690	2	. WASHER,FL- 0.203 ID X 0.438 OD ATT PT			
- 10	11598	2	. NUT,HEX- 10-32 ATT PT			
- 11	5562336	1	. ERACKET			
- 12	5528	2	. SCREW,BD HD- 8-32 X 0.625 LG ATT PT			
- 13	2455575	2	. SHOCKMOUNT			
- 14	2181005	4	. SCREW,HEX HD- 6-32 X 0.375 LG ATT PT			
- 15	5562328	1	. ERACKET			
- 16	1621190	2	. SCREW,PAN HD- M4 X 8 LG ATT PT			
- 17	5562337	1	. ERACKET			
- 18	5528	1	. SCREW,BD HD- 8-32 X 0.625 LG ATT PT			
- 19	2455576	1	. SHOCKMOUNT			
- 20	2181005	2	. SCREW,HEX HD- 6-32 X 0.375 LG ATT PT			
- 21	5562338	1	. ERACKET			
- 22	58207	2	. SCREW,BD HD- 8-32 X 0.250 LG ATT PT			
- 23	1831799	1	. EUTTON, SWITCH			
- 24	5578637	1	. ADAPTER, SWITCH			
- 25	5578904	1	. CABLE ASM-LOGIC RESET SWITCH			
			FOR CABLE COMPONENT PARTS SEE FIGURE 21			
- 26	825880	AR	. TAPE, FOAM			
- 27	6831312	1	. FRAME			
- 28	1621190	1	. SCREW,PAN HD- M4 X 8 LG			
- 29	4109471	1	. JUMPER ASM. ATT PT			
- 30	1622346	1	. LCCKWASHER,EXT STAR- M4, 8 OD X .5 ATT PT			
- 31	825880	1	. TAPE,FOAM			

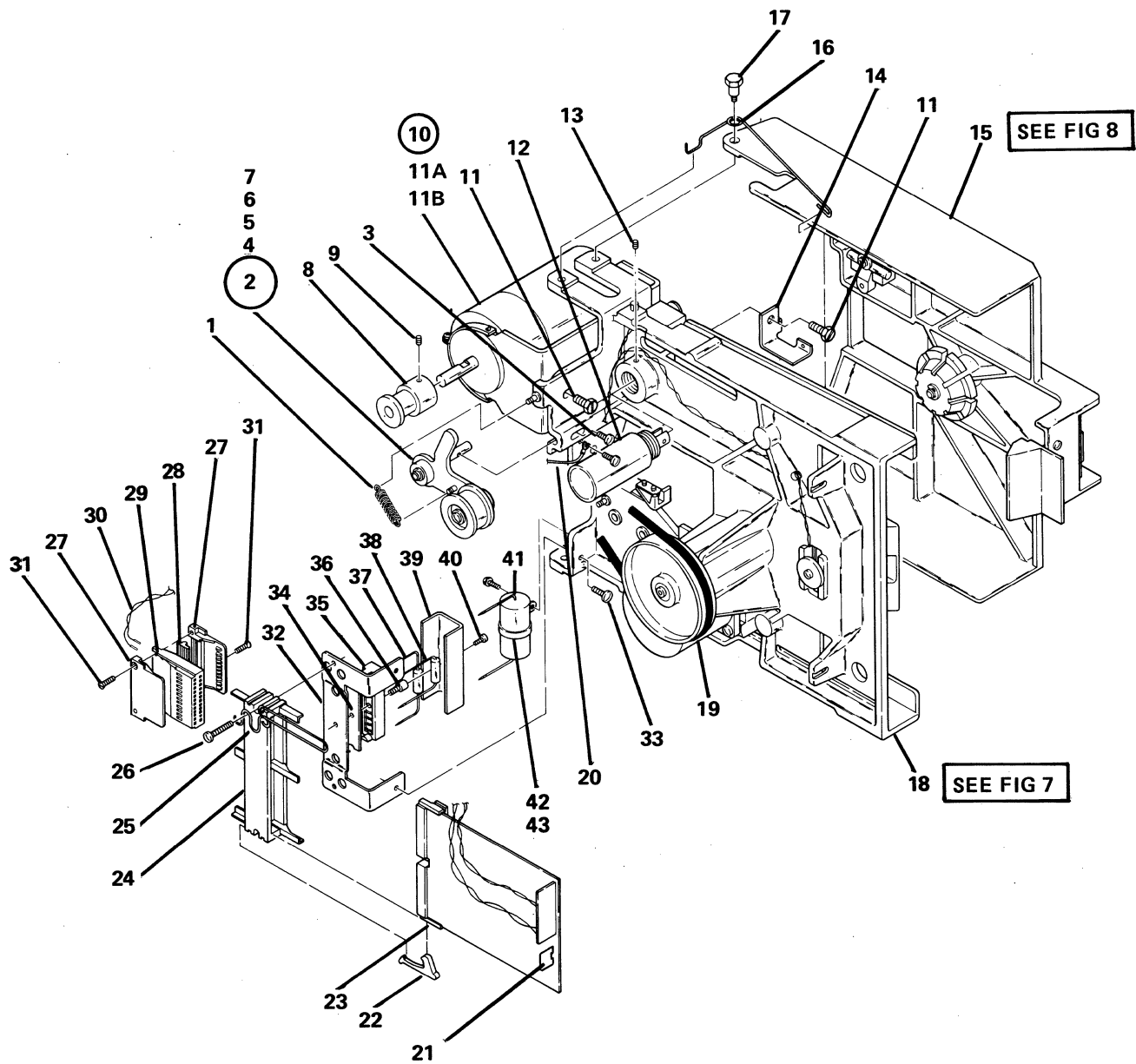


FIGURE 6. 2 SIDED DISKETTE DRIVE ASSEMBLY. SEE LIST 6.

2 SIDED DISKETTE DRIVE ASSEMBLY

FIGURE- INDEX NUMBER	PART NUMBER	UNITS PER ASM.	DESCRIPTION				
			1	2	3	4	
6 -	4178009	REF	2	SIDED DISKETTE DRIVE ASM- 60 HZ			
-	4178011	REF	2	SIDED DISKETTE DRIVE ASM- 50 HZ FOR NEXT HIGHER ASM SEE FIGURE 5-5 AND FOR ILLUSTRATION SEE FIGURE 6			
- 1	2305726	1	.	SPRING			
- 2	5562020	1	.	IDLER ASM,BELT			
- 3	81693	1	.	SCREW,BD HD- 6-32 X 0.375 LG			ATT PT
- 4	2305720	1	.	RCLL ASM			
- 5	22478	1	.	WASHER,FL- 0.170 ID X 0.375 OD			
- 6	58207	1	.	SCREW,BD HD- 8-32 X 0.250 LG			
- 7	5562022	1	.	ARM ASM			
- 8	2305597	1	.	PULLEY- 60 HZ			
- 8	2305540	1	.	PULLEY- 50 HZ			
- 9	257970	1	.	SCREW,SET,SPLINE DR FP- 6-32 X 0.250 LG			ATT PT
- 10	4178053	1	.	MOTOR ASM- 60 HZ			
- 10	4178057	1	.	MOTOR ASM- 50 HZ			
- 11	234341	2	.	SCREW,ASMD FIL HD- 1/4-20 X 0.625 LG			ATT PT
- 11A	4178052	1	.	MOTOR- 60 HZ			
- 11A	4178056	1	.	MOTOR- 50 HZ			
- 11B	2305632	1	.	BRACKET			
- 12	5562064	1	.	SOLENOID-USED ON ASMS. WITHOUT EC 829696			
- 12	4178047	1	.	SOLENOID-USED ON ASMS. WITH EC 829696			
- 13	5562115	1	.	SETSCREW, 6 FLUTE,CUP PT- 10.32 X .19 LG			ATT PT
- 14	5562046	1	.	BRACKET,BALL SPRING			
- 15	4178027	1	.	DISKETTE COVER ASSEMBLY FOR DETAIL BREAKDOWN SEE FIGURE 8			
- 16	5562313	1	.	SPRING			
- 17	2305553	2	.	PIVOT			ATT PT
- 18	NO NO.	NP	1	DISKETTE BASEPLATE ASSEMBLY FOR DETAIL BREAKDOWN SEE FIGURE 7			
- 19	2305616	1	.	FELT			
- 20	2305598	1	.	JUMPER ASM			
- 21	1794401	1	.	JUMPER ASM			
- 22	5562116	2	.	RETAINER			
- 23	811804	1	.	GUIDE,CARD- 2 WIDE			
- 24	2274833	1	.	CCNECTOR			
- 25	5562102	1	.	GUIDE,CABLE			
- 26	438567	2	.	SCREW,BD HD- 6-32 X 1.000 LG			ATT PT
- 27	5466397	2	.	STRAIN RELIEF			
- 28	5466393	2	.	CLAMP,STRAIN RELIEF			
- 29	5447741	1	.	HOUSING,SINGLE HI			
- 30	5562071	1	.	SCREW USED ON ASSEMBLIES WITHOUT EC 829696			
- 31	109918	2	.	SCREW,FL HD- 0.500 LG			ATT PT
- 32	5562066	1	.	BRACKET			
- 33	81693	2	.	SCREW,BD HD- 6-32 X 0.375 LG THE FOLLOWING PARTS ARE ONLY USED ON ASSEMBLIES WITHOUT EC 829696			
- 34	302131	1	.	STRIP,INSULATOR 2.094 LG			
- 35	302090	1	.	BLOCK,TERMINAL			
- 36	2592384	1	.	STUD			ATT PT
- 37	2127635	1	.	RESISTOR ASM			
- 38	5562096	1	.	RESISTOR ASM			
- 39	4178058	1	.	SHIELD			
- 40	38235	1	.	SCREW,BD HD- 6-32 X 0.312 LG			ATT PT
- 41	2103010	1	.	CAPACITOR ASM			
- 42	532393	1	.	TIE,CABLE			
- 43	5349929	1	.	SCREW,THE FORMING 8-32 X 0.500 LG			ATT PT

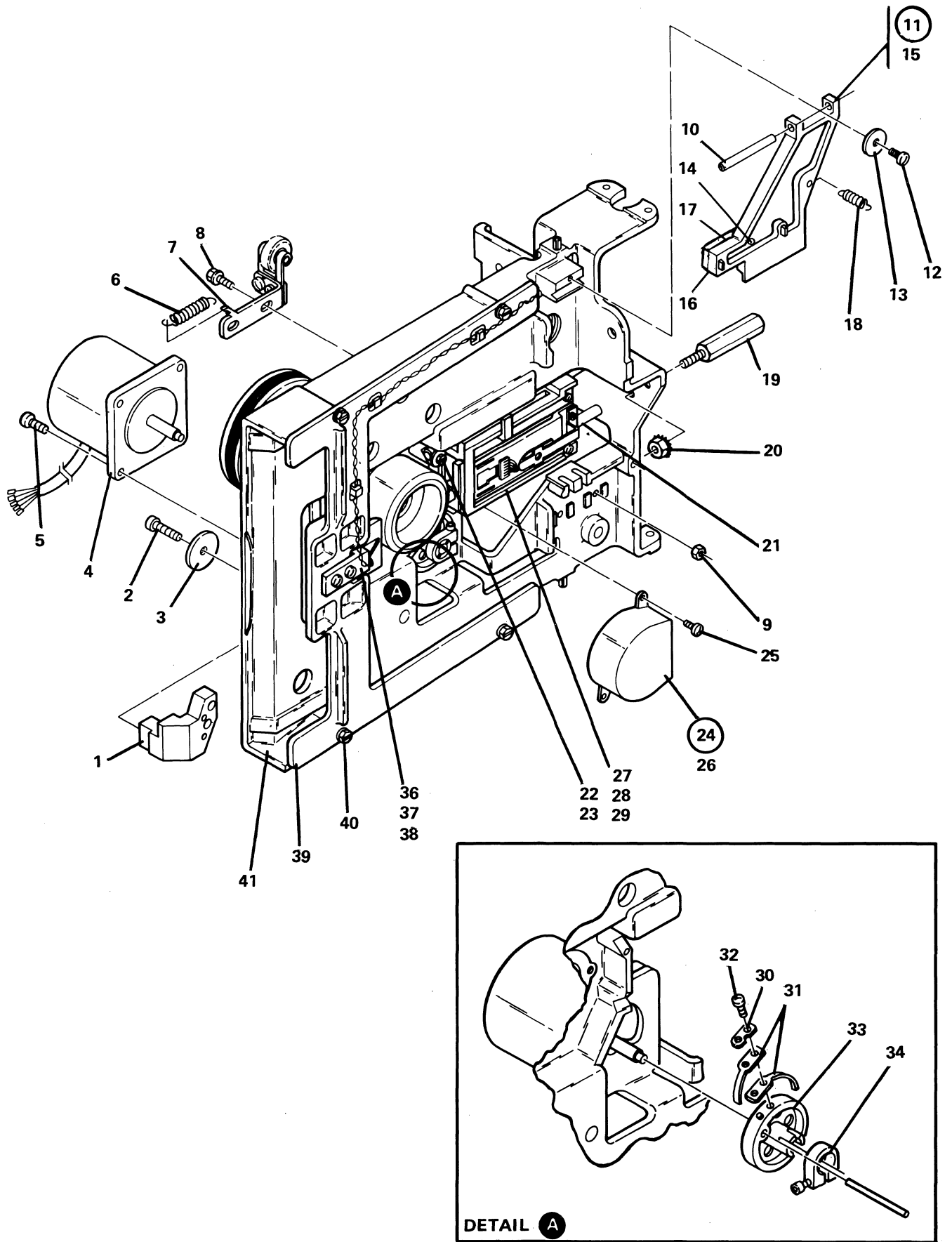


FIGURE 7. DISKETTE BASEPLATE ASSEMBLY. SEE LIST 7.

DISKETTE BASEPLATE ASSEMBLY

FIGURE- INDEX NUMBER	PART NUMBER	UNITS PER ASM.	DESCRIPTION			
			1	2	3	4
7 -	NO NO. NP	REF	DISKETTE BASEPLATE ASSEMBLY FOR NEXT HIGHER ASM SEE FIGURE 6-18 AND FOR ILLUSTRATION SEE FIGURE 7			
- 1	5562083	1	. TRANSISTOR ASM, PHOTO			
- 2	170241	1	. SCREW, SEMS- 6-32 X 0.750 LG			
- 3	2130285	1	. WASHER, FLAT			
- 4	2462606	1	. MOTOR, STEPPER			
- 5	81693	3	. SCREW, BD HD- 6-32 X 0.375 LG			
- 6	5562051	1	. SPRING			
- 7	5562085	1	. PULLEY ASM			
- 8	5562103	2	. SCREW			
- 9	257189	2	. NUT, HEX- 8-32			
- 10	5562098	1	. PIN			
- 11	4178060	1	. BAIL ASM			
- 12	10170	1	. SCREW, BD HD- 6-32 X 0.250 LG			
- 13	110029	1	. WASHER, FL NO 8 X 5/8 OD X 1/16 THK			
- 14	651858	1	. . BUMPER			
- 15	4178061	1	. . BAIL			
- 16	4178063	1	. . SPRING			
- 17	4178062	1	. . SHOE			
- 18	150676	1	. SPRING-USED ON ASMS WITHOUT EC 829696			
- 18	4178067	1	. SPRING-USED ON ASMS WITH EC 829696			
- 19	2305697	1	. STANDOFF			
- 20	602721	1	. NUT, LOCK- 10-32			
- 21	5562038	2	. ROD-GUIDE			
- 22	2181011	2	. SCREW, THD FORMING- 6-32 X 0.500 LG			
- 23	1591469	2	. WASHER, FL NO. 6			
- 24	5562088	1	. COVER/WIPER ASM			
- 25	55726	2	. SCREW, BD HD- 6-32 X 0.188 LG			
- 26	5562035	1	. . WIPER			
- 27	4178035	1	. CARRIAGE ASM, HEAD			
- 28	236550	2	. SCREW, BD HD- 4-40 X 0.375 LG			
- 29	5562041	1	. CLAMP			
- 30	5562037	1	. CLAMP			
- 31	5562044	1	. BAND			
- 32	438548	1	. SCREW, BD HD- 4-40 X 0.188 LG			
- 33	5562086	1	. PULLEY DRIVE			
- 34	5562099	1	. CLAMP			
- 35	186925	1	. SCREW, CAP, SOC HD, FLU- 4-40 X 0.625 LG			
- 36	5562081	1	. L.E.D. ASM			
- 37	81693	2	. SCREW, BD HD- 6-32 X 0.375 LG			
- 38	257187	2	. NUT, HEX- 6-32			
- 39	5562061	1	. GUIDE			
- 40	5700484	4	. SCREW, HEX WASHER HEAD-THD FORMING			
- 41	5562082	1	. CASTING ASM			

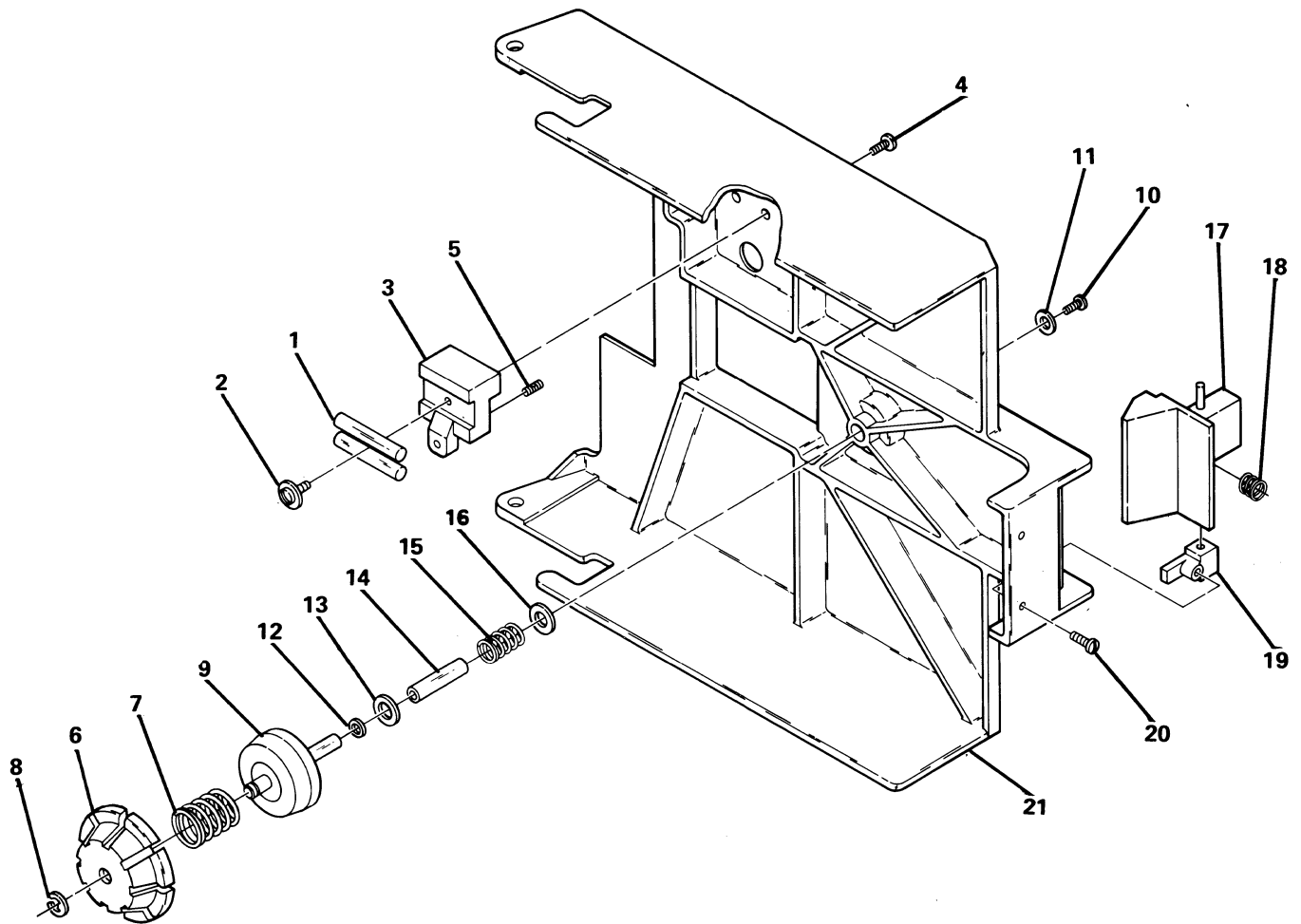


FIGURE 8. DISKETTE COVER ASSEMBLY. SEE LIST 8.

DISKETTE COVER ASSEMBLY

FIGURE- INDEX NUMBER	PART NUMBER	UNITS PER ASM.	DESCRIPTION			
			1	2	3	4
8 -	4178027	REF	DISKETTE COVER ASSEMBLY FOR NEXT HIGHER ASM SEE FIGURE 6-15 AND FOR ILLUSTRATION SEE FIGURE 8			
- 1	5562019	2	. TIMING PIN			
- 2	1164265	1	. SCREW			
- 3	5562084	1	. BACKSTOE			
- 4	81693	2	. SCREW,BD HD- 6-32 X 0.375 LG			
- 5	311167	1	. SCREW,SET-NYLOK			
- 6	2305644	1	. COLLET			
- 7	2305647	1	. SPRING,COMPRESSION			
- 8	332747	1	. CLIP			
- 9	2305526	1	. CCNE AND SHAFT ASM			
- 10	34512	1	. SCREW,BD HD- 8-32 X 0.375 LG			
- 11	2903	1	. WASHER,FL- 0.172 ID X 0.500 OD			
- 12	555427	1	. SHIM			
- 13	25018	1	. WASHER,FL- 0.250 ID X 0.500 OD			
- 14	2305462	1	. SLEEVE			
- 15	2305646	1	. SPRING,COMPRESSION			
- 16	120571	1	. WASHER			
- 17	4236352	1	. LATCH			
- 18	736822	1	. SPRING			
- 19	2305523	2	. PIVOT			
- 20	322550	2	. SCREW,BD HD- 6-32 X 0.500 LG			
- 21	5562062	1	. PLATE			

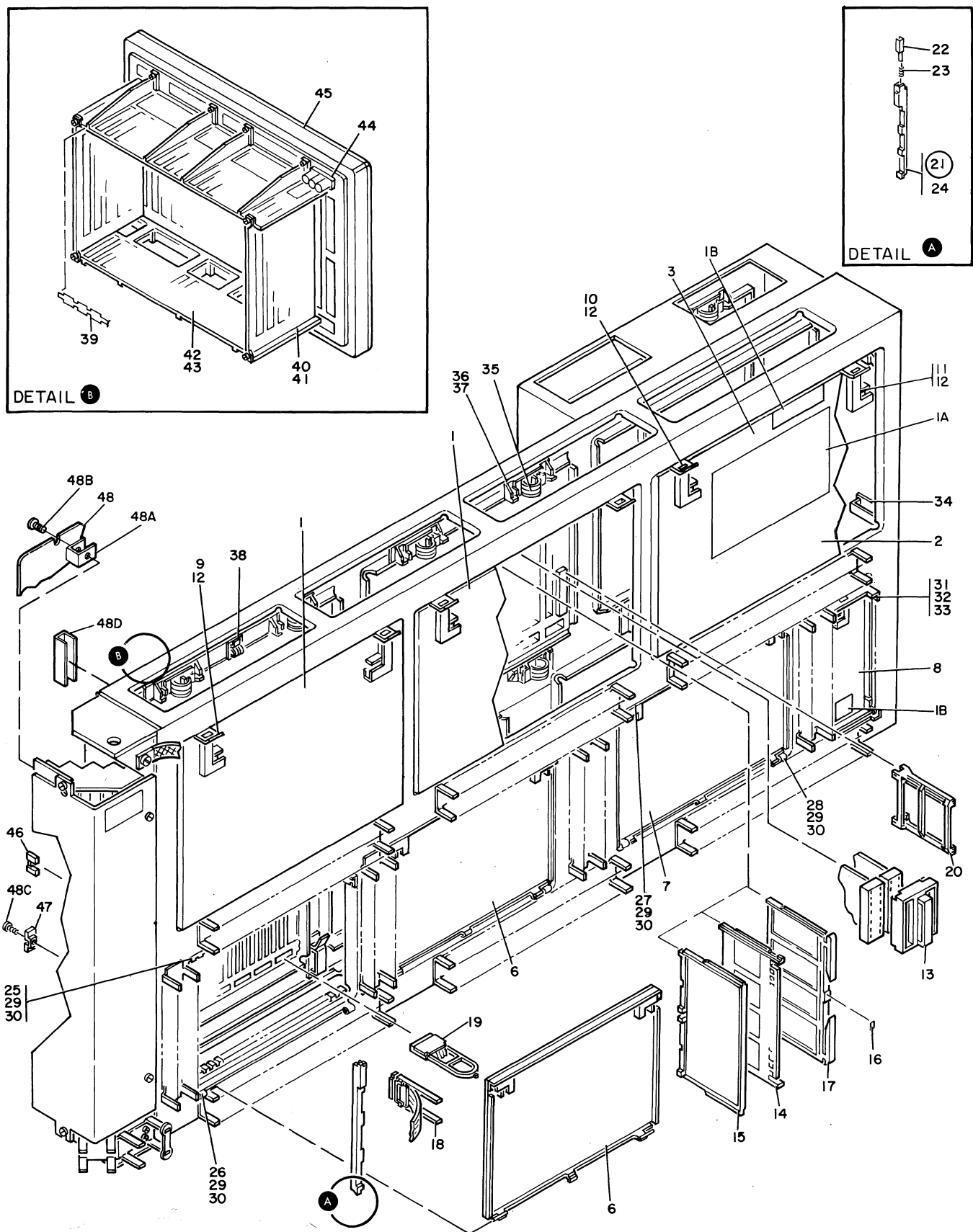


FIGURE 9. GATE ASSEMBLY-GATE 01A. SHEET 1 OF 3. INDEX NOS. 1-48. SEE LIST 9.

GATE ASSEMBLY-GATE 01A

FIGURE- INDEX NUMBER	PART NUMBER	UNITS PER ASM.	DESCRIPTION			
			1	2	3	4
9 -	5578810 NP	REF	GATE ASSEMBLY-GATE 01A, 60 HZ, 1ST SOURCE			
-	6831355 NP	REF	GATE ASSEMBLY-GATE 01A, 50 HZ, 1ST SOURCE FIRST SOURCE ONLY			
-	6831357 NP	REF	GATE ASSEMBLY, 01C SECOND SOURCE ONLY FOR NEXT HIGHER ASM SEE FIGURE 2-176 FOR ILLUSTRATION SEE FIGURE 9			
- 1	4123913	2	. COVER ASM			
- 1A	6831354	1	. LABEL			
- 1B	4432399	1	. LABEL			
- 2	4123913	1	. COVER ASM FIRST SOURCE ONLY			
- 2	1310002	1	. COVER ASM. SECOND SOURCE ONLY			
- 3	4432339	1	. COVER ASM. SECOND SOURCE ONLY			
- 6	819251	2	. COVER ASM,GATE			
- 7	819251	1	. COVER ASM,GATE FIRST SOURCE ONLY			
- 7	2733286	1	. COVER ASM SECOND SOURCE ONLY			
- 8	8483376	1	. COVER ASM			
- 9	8330637	4	. PLATE, LATCH			
- 10	4138593	2	. PLATE, LATCH FIRST SOURCE ONLY			
- 10	8330637	2	. PLATE, LATCH SECOND SOURCE ONLY-USE WITH 1310002 COVER ASM			
- 11	4138593	2	. PLATE, LATCH SECOND SOURCE ONLY-USE WITH 2733286 COVER ASM			
- 12	1621170	12	. SCREW, PAN HD- M3 X L 6A			
- 13	2399086	AR	. CROSSOVER ASM- 1 POSITION			
- 13	1794410	AR	. CROSSOVER ASM- 2 POSITION			
- 13	4134831	AR	. CROSSOVER ASM- 3 POSITION			
- 13	4138552	AR	. CROSSOVER ASM-TCCC			
- 14	2766708	AR	. HOLDER, TOP CARD CONNECTOR- 2W, 3H			
- 14	2766709	AR	. HOLDER, TOP CARD CONNECTOR- 4W, 3H			
- 15	819632	AR	. CARD, DUMMY- 4W, 3H			
- 15	816983	AR	. CARD, DUMMY- 2W, 3H			
- 15	819412	AR	. CARD, DUMMY- 1W, 3H			
- 15	4138564	AR	. CARD, DUMMY			
- 16	818579	AR	. STRIP, MARKER			
- 17	819408	AR	. HOLDER, CARD- 4W, 3H			
- 17	818002	AR	. HOLDER, CARD- 2W, 3H			
- 17	819407	AR	. HOLDER, CARD- 1W, 3H			
- 17	819033	AR	. HOLDER, CARD SECOND SOURCE ONLY			
- 18	4150776	AR	. EXTENDER CABLE			
- 18	819441	AR	. EXTENDER CABLE			
- 19	4150496	AR	. GUIDE, CARD			
- 19	819410	AR	. GUIDE, CARD			
- 19A	740459	1	. STIFFENER			
- 19B	438549	2	. SCREW, BD HD- 4-40 X 0.437 LG			
- 19C	6831356	1	. BRACKET, STRAIN RELIEF			
- 20	4138527	AR	. GUIDE, TOOL			
- 21	819284	12	. BRACKET ASM			
- 22	819282	1	. . LATCH			
- 23	753317	1	. . SPRING			
- 24	819283	1	. . BRACKET			
- 25	819268	2	. BRACKET			
- 26	815879	2	. GUIDE			
- 27	819268	1	. BRACKET, HINGE-TOP FIRST SOURCE ONLY			
- 27	2731306	1	. GUIDE SECOND SOURCE ONLY			
- 28	815879	1	. BRACKET, HINGE-BOTTOM FIRST SOURCE ONLY			
- 28	4139582	1	. BRACKET, LOWER HINGE SECOND SOURCE ONLY			
- 29	811417	12	. SCREW, HEX SOCKET HD 6-32 X 0.500 LG			
- 30	257986	12	. WASHER			
- 31	8483375	2	. COVER			
- 32	811417	4	. SCREW, HEX SOCKET HD 6-32 X 0.500 LG			
- 33	257986	4	. WASHER			
- 34	1310209	6	. CLAMP, CABLE			
- 35	4138577	AR	. CLAMP, CABLE			

ATT PT

ATT PT

ATT PT

ATT PT

ATT PT

ATT PT

GATE ASSEMBLY-GATE 01A

FIGURE- INDEX NUMBER	PART NUMBER	UNITS PER ASM.	DESCRIPTION			
			1	2	3	4
9 - 36	4138565	AR	.	BRACKET		
- 37	1621181	AR	.	SCREW, PAN HEAD-M3.5 X 6 LG	ATT PT	
- 38	4123928	AR	.	CLIP, CABLE		
- 39	4138559	4	.	BRACKET		
- 40	4138524	4	.	PLATE		
- 41	1621170	8	.	SCREW, PAN HD- M3 X L 6A	ATT PT	
- 42	4138523	4	.	GUIDE, CARD		
- 43	2360072	16	.	SCREW AND LOCKWASHER, THE FORM PAN HD-M4	ATT PT	
- 44	4138522	4	.	CAPACITOR HOUSING ASM		
- 45	4138580	2	.	CCVER ASM		
- 46	816645	3	.	JUMPER ASM		
				FIRST SOURCE ONLY		
- 47	813179	32	.	CLAMP		
- 48	4109434	1	.	CCVER	ATT PT	
- 48A	4109436	AR	.	BRACKET		
- 48B	1673984	4	.	SCREW		
- 48C	811417	32	.	SCREW, HEX SOCKET HD 6-32 X 0.500 LG		
- 48D	4109427	1	.	INSULATOR		
				FIRST SOURCE ONLY		

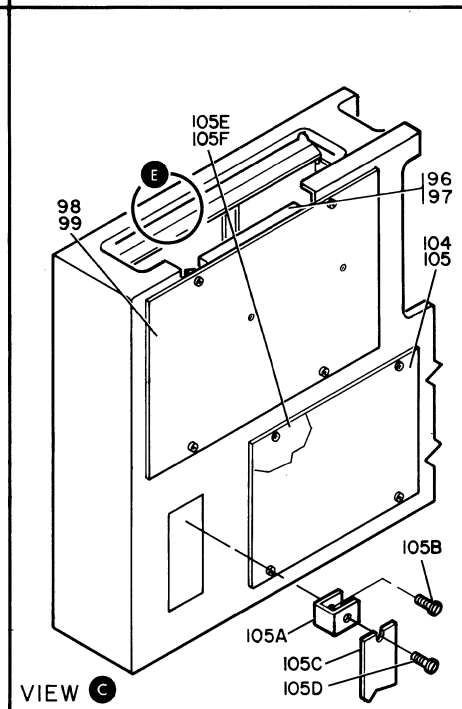
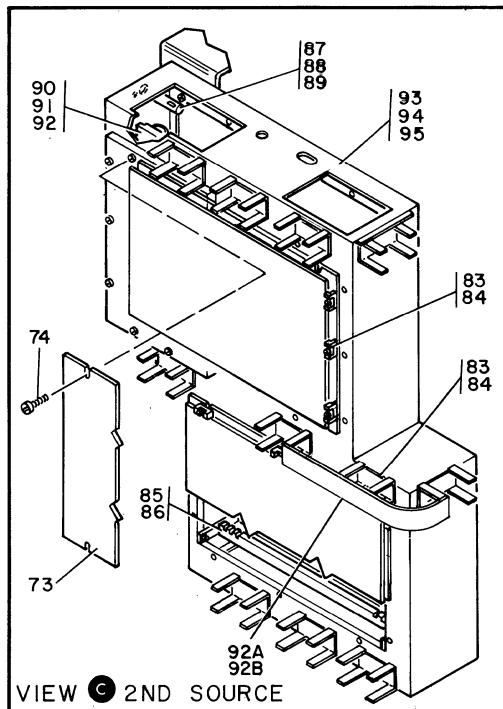
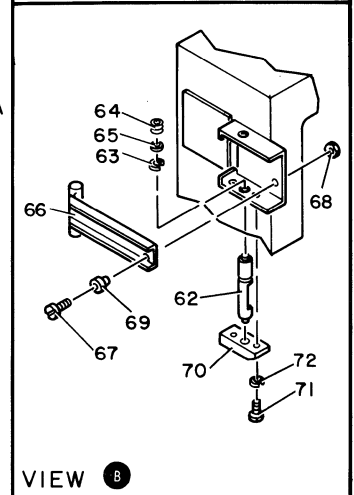
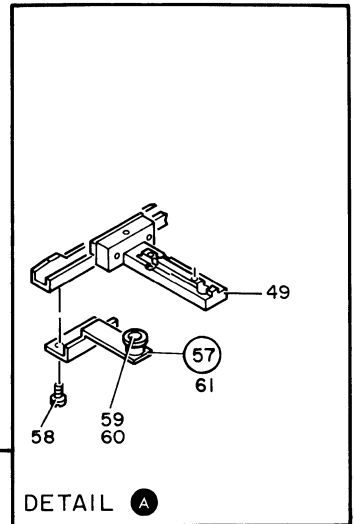
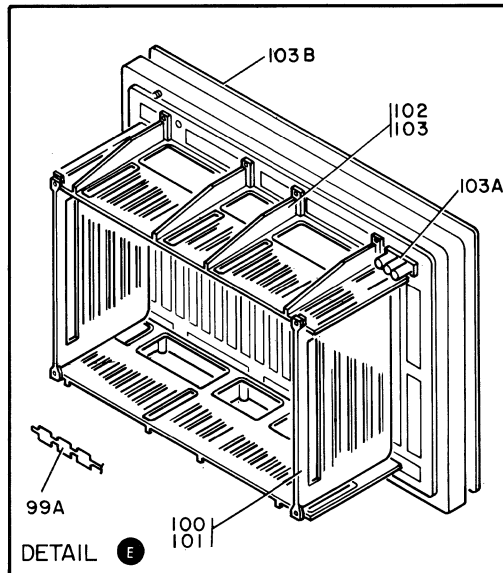
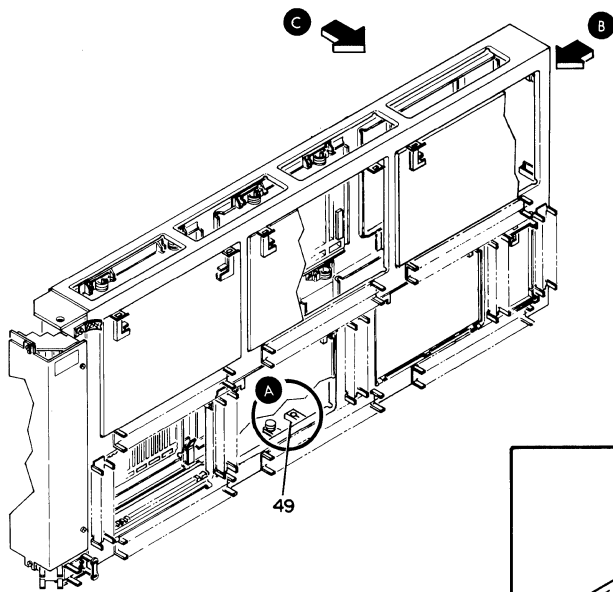


FIGURE 9. GATE ASSEMBLY-GATE 01A. SHEET 2 OF 3. INDEX NOS. 49-105. SEE LIST 9.

GATE ASSEMBLY-GATE 01A

FIGURE- INDEX NUMBER	PART NUMBER	UNITS PER ASM.	DESCRIPTION			
			1	2	3	4
9 - 49	8483012	3
- 57	1310001	1
- 58	1621190	2	.	.	.	ATT PT
- 59	5501995	1
- 60	5501997	1	.	.	.	ATT PT
- 61	1310000	1
- 62	8483089	1
- 63	251015	1	.	.	.	ATT PT
- 64	2181052	1
- 65	161351	1
- 66	8483503	1
- 67	1621211	1	.	.	.	ATT PT
- 68	1622404	1	.	.	.	ATT PT
- 69	8483504	1
- 70	8483091	1
- 71	1621060	2	.	.	.	ATT PT
- 72	1622318	2	.	.	.	ATT PT
- 73	5578827	1
- 74	1621187	4	.	.	.	ATT PT
- 83	813179	24
- 84	811417	24
- 85	2733280	2
- 86	1621170	4
- 87	5578667	1
- 88	1621170	1
- 89	1622344	1
- 90	4138577	2
- 91	4138565	2
- 92	1621181	4
- 92A	4109468	1
- 92B	1621198	1	.	.	.	ATT PT
- 93	6831350	1
- 94	1621181	12
- 95	811417	8
- 96	4432899	1
- 97	1621176	5	.	.	.	ATT PT
- 98	5578827	1
- 99	1621181	4	.	.	.	ATT PT
- 99A	4138559	2
-100	4138524	2
-101	1621170	4	.	.	.	ATT PT
-102	4138523	2
-103	2360072	8	.	.	.	ATT PT
-103A	4138522	AR
-103A	4138587	AR
-103B	4138580	1
-104	819431	1
-105	731626	4	.	.	.	ATT PT
-105A	4109436	AR
-105B	811417	AR
-105C	4109435	1
-105D	1673984	4	.	.	.	ATT PT
-105E	4109434	1
-105F	1673984	4	.	.	.	ATT PT

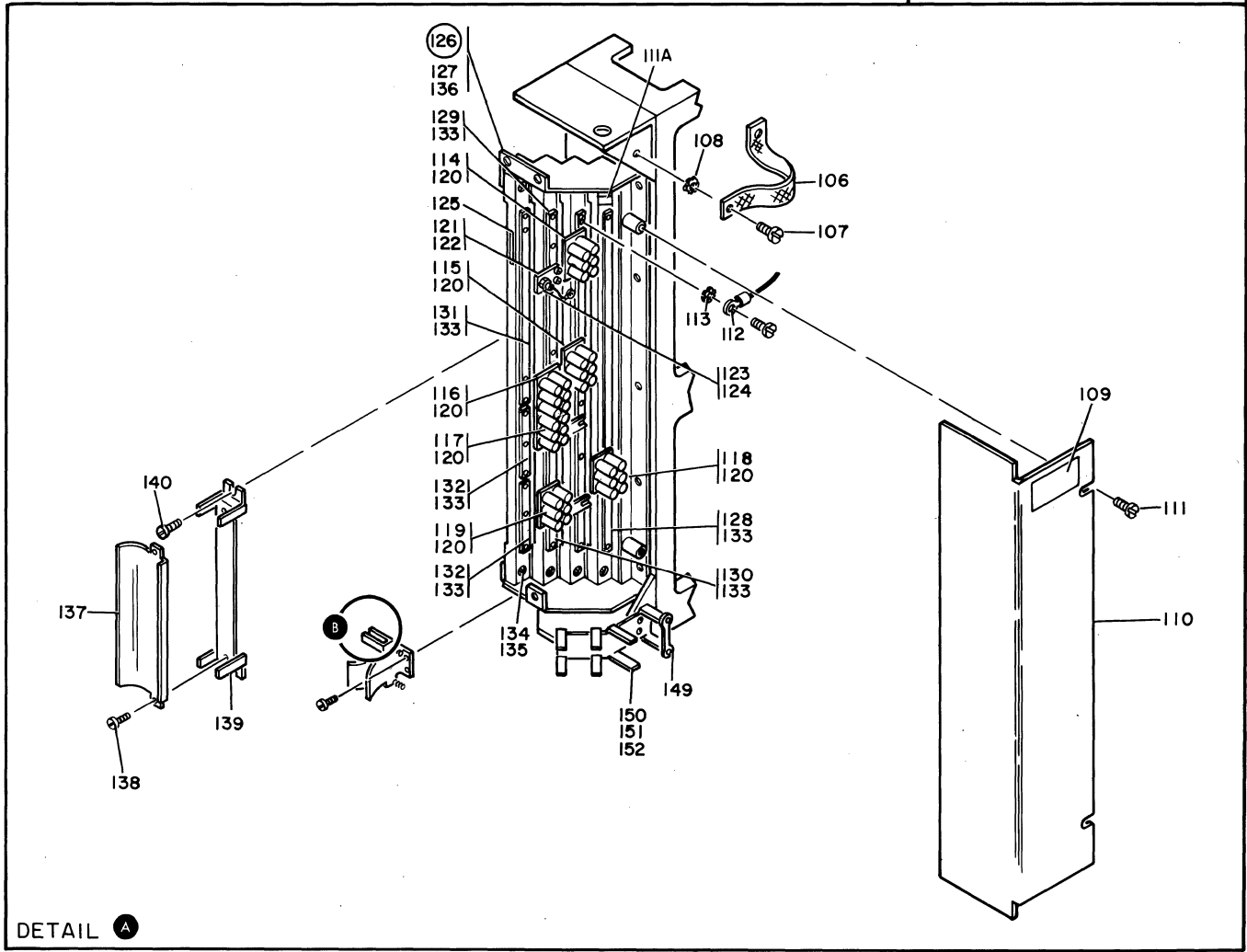
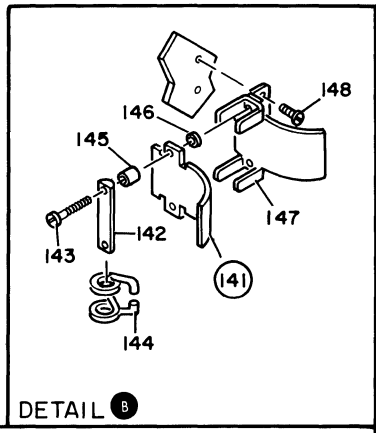
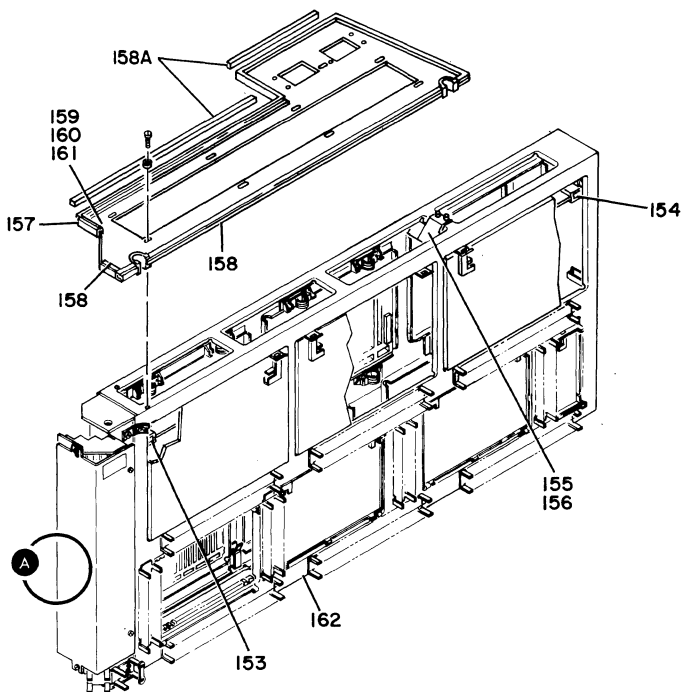


FIGURE 9. GATE ASSEMBLY-GATE 01A. SHEET 3 OF 3. INDEX NOS. 106-162. SEE LIST 9.

GATE ASSEMBLY-GATE 01A

FIGURE- INDEX NUMBER	PART NUMBER	UNITS PER ASM.	DESCRIPTION			
			1	2	3	4
9 -106	2101376	1	. STRAP,GROUND- 10 AWG			
-107	1621211	1	. SCREW,PAN HD- M5 X 12 LG			
-108	2125974	1	. SPACER			
-109	8330638	1	. LABEL			
-110	4124232	1	. SHIELD			
-111	1621210	4	. SCREW,PAN HD- M5 X 10 LG			
-111A	818579	1	. STRIP,MARKER			
-112	5578899	1	. JUMPER ASM			
-113	1622347	2	. LOCKWASHER EXT STAR- M5, 10 OD X .6			
-114	4124218	1	. CAPACITOR ASM			
			FIRST SOURCE ONLY			
-114	4124217	1	. CAPACITOR ASM.			
			SECOND SOURCE ONLY			
-115	4124217	1	. CAPACITOR ASM			
			FIRST SOURCE ONLY			
-115	1310234	1	. CAPACITOR ASM.			
			SECOND SOURCE ONLY			
-116	4124217	1	. CAPACITOR ASM			
-117	1310234	1	. CAPACITOR ASM			
-118	4124218	1	. CAPACITOR ASM			
-119	4124219	1	. CAPACITOR ASM			
-120	1621191	10	. SCREW,PAN HD- M4 X 10 LG			
-121	4109590	1	. DIODE ASM			
			FIRST SOURCE ONLY			
-122	1621191	1	. SCREW,PAN HD- M4 X 10 LG			
-123	8330718	1	. PLATE			
			FIRST SOURCE ONLY			
-124	1621191	2	. SCREW,PAN HD- M4 X 10 LG			
-125	5578829	4	. LABEL			
-126	5578703	1	. BLOCK ASM,TERMINAL			
-127	1621210	7	. SCREW,PAN HD- M5 X 10 LG			
-128	5578696	2	. . STRIP,TERMINAL- 15 POSITION			
-129	4123923	1	. . BUS BAR			
-130	4123924	1	. . STRIP,TERMINAL- 10 POSITION			
-131	1310235	1	. . BUS BAR			
-132	4123923	2	. . BUS BAR			
-133	1621230	14	. . SCREW,PAN HD-M6 X 12 LG			
-134	4123925	4	. . BLOCK,TERMINAL			
-135	1621231	8	. . SCREW, MACH.			
-136	4123929	1	. . FRACKET			
-137	4123930	1	. PRCNT PLATE			
-138	1621211	2	. SCREW,PAN HD- M5 X 12 LG			
-139	4123931	1	. BACKPLATE			
-140	1621210	2	. SCREW,PAN HD- M5 X 10 LG			
-141	815225	1	. CLAMP ASM			
-142	815220	1	. . EAR			
-143	815174	2	. . SCREW,HEX SOC HD 8-32 X 1.750 LG			
-144	813321	1	. . SPRING			
-145	815219	2	. . SPACER			
-145A	816649	2	. . RETAINER			
-146	815217	1	. . PLATE			
-147	815214	1	. BACKPLATE,CABLE CLAMP			
-148	1621210	2	. SCREW,PAN HD- M5 X 10 LG			
-149	811427	75	. RETAINER			
-150	5896699	1	. RACEWAY			
-151	1621230	1	. SCREW,PAN HD-M6 X 12 LG			
-152	1621333	2	. SCREW,FL HD-M6 X 12 LG			
-153	1310201	2	. BAFFLE ASM,AIR			
-154	1310204	1	. BAFFLE ASM,AIR			
-155	1310207	1	. BAFFLE ASM			
-156	1621190	2	. SCREW,PAN HD- M4 X 8 LG			
-157	596756	AR	. SEAL FOAM			
-158	8483347	AR	. SEAL			
-158A	475465	AR	. SEAL			
-159	4124216	1	. BARRIER- 60 HZ			
-159	6831351	1	. BARRIER- 50 HZ			
			FIRST SOURCE ONLY			
-159	6831353	1	. BARRIER, 50/60 HZ			
			SECOND SOURCE ONLY			
-160	1622305	8	. WASHER,FL- M5 10 OD X 1 THK			
-161	1621190	8	. SCREW,PAN HD- M4 X 8 LG			
-162	4155181	1	. GATE			
			FIRST SOURCE ONLY			
-162	6831358	1	. GATE			
			SECOND SOURCE ONLY			

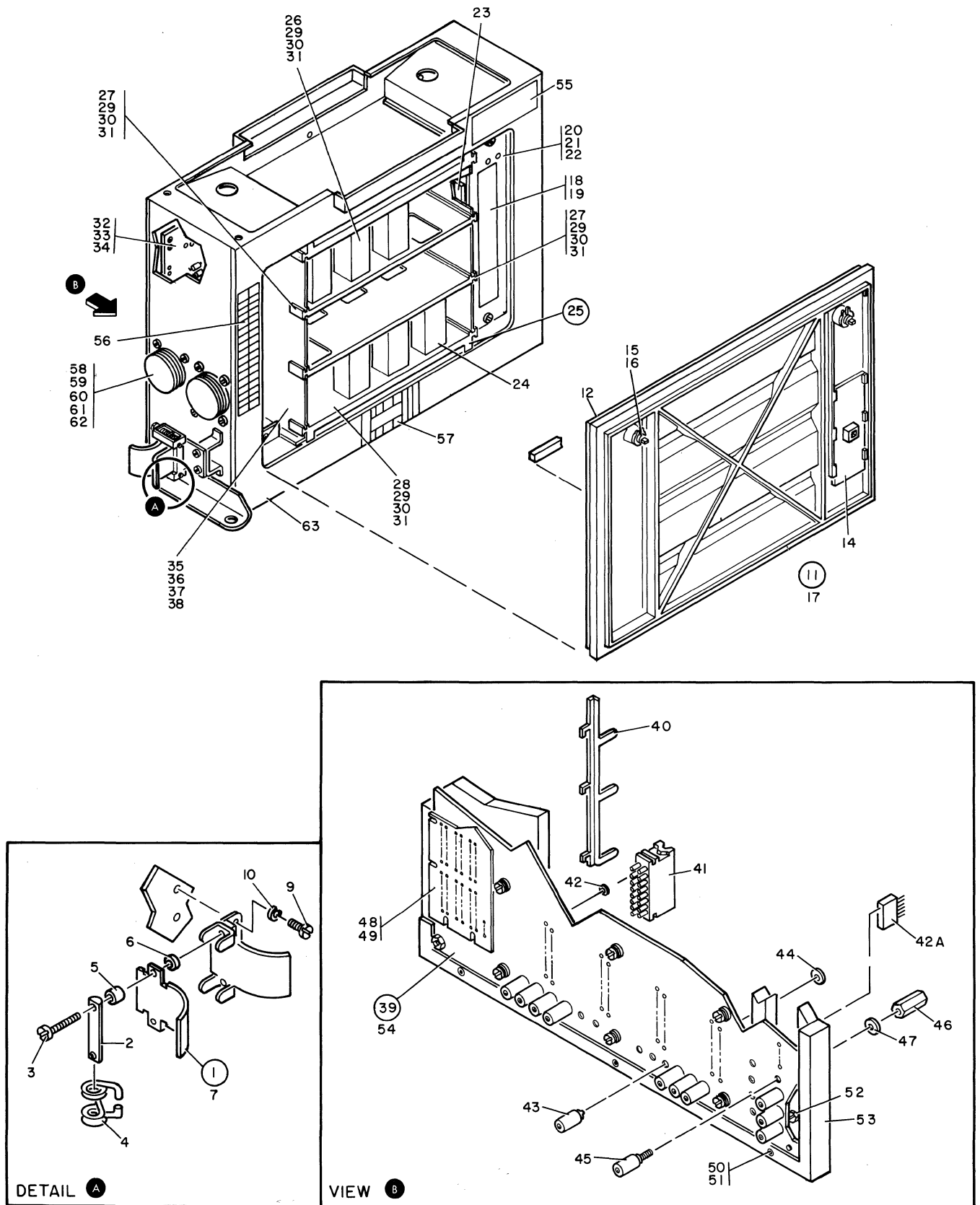


FIGURE 10. GATE ASSEMBLY-GATE 01C. SEE LIST 10.

GATE ASSEMBLY-GATE 01C

FIGURE- INDEX NUMBER	PART NUMBER	UNITS PER ASM.	DESCRIPTION			
			1	2	3	4
10 -	1310329 NP	REF	GATE ASSEMBLY, 01C FOR NEXT HIGHER ASM SEE FIGURE 2-157 AND FOR ILLUSTRATION SEE FIGURE 10			
- 1	815225	1	. CLAMP			
- 2	815220	1	. . EAR			
- 3	815174	2	. . SCREW,HEX SOC HD 8-32 X 1.750 LG			
- 4	813321	1	. . SPRING			
- 5	815219	2	. . SPACER			
- 6	816649	2	. . RETAINER			
- 7	815217	1	. . FLATE			
- 8	815171	1	. EACKPLATE			
- 9	1621062	2	. SCREW,CHEESE HD- M4 X 12 LG			
- 10	1622346	2	. LCCKWASHER,EXT STAR- M4, 8 OD X .5			
- 11	5576260	1	. COVER ASM,CARD			
- 11	5576260	1	. COVER ASM,CARD			
- 12	5576286	1	. . SEAL			
- 13	5576209	2	. . SEAL			
- 14	5576289	1	. . CCVER-SLIDE			
- 15	5576281	2	. . STUD			
- 16	139766	2	. . CLIF			
- 17	5576285	1	. . COVER			
- 18	317296	1	. LABEL			
- 19	598381	1	. LABEL			
- 20	5576245	1	. RETAINER,CARD			
- 21	1621192	2	. SCREW, MACH PAN HD-M4 X 12 LG			
- 22	2125963	2	. WASHER,FL SQUARE-M4			
- 23	5865022	AR	. CARD ASM,CONTROL			
- 24	1310340	AR	. MODULE ASM,POWER			
- 25	1310320	1	. IES ASM			
- 26	5576264	1	. . SUPPORT,CARD			
- 27	5576265	2	. . SUPPORT,CARD			
- 28	5576266	1	. . SUPPORT,CARD			
- 29	1621211	12	. . SCREW,PAN HD- M5 X 12 LG			
- 30	1622305	12	. . WASHER,FL- M5 10 OD X 1 THK			
- 31	5576199	12	. . WASHER,FL INSULATING-M5 17 OD X 1.6 THK			
- 32	5576202	1	. . CARD ASM			
- 33	1621192	5	. . SCREW, MACH PAN HD-M4 X 12 LG			
- 34	2125963	5	. . WASHER,FL SQUARE-M4			
- 35	5576267	2	. . SUPPORT,CARD-VERTICAL			
- 36	1622405	4	. . NUT,HEX-M6 X 10 FL W			
- 37	1622320	4	. . LOCKWASHER,SPLIT- M6,11.8 OD X 1.6 THK			
- 38	1622306	4	. . WASHER,FLAT,M6- 12.5 OD X 2 THK			
- 39	1310321	1	. . STIFFENER AND BOARD ASM			
- 40	811781	3	. . . GUIDEPOST			
- 41	5576219	12	. . . RECEPTACLE			
- 42	839413	24	. . . WASHER,FLAT NO. 14			
- 42A	5922113	1	. . . HEADER			
- 43	5576282	31	. . . STUD			
- 44	5576287	31	. . . WASHER 5.8 ID X 2 THK			
- 45	5576284	5	. . . STUD			
- 46	5576288	5	. . . STANDOFF			
- 47	5576287	5	. . . WASHER 5.8 ID X 2 THK			
- 48	1310322	1	. . . PERSONALIZATION CARD ASM			
- 49	5576283	1	. . . SPACER			
- 50	4138473	8	. . . SCREW,SHOULDER			
- 51	1177332	8	. . . RING,RETAINER-C			
- 52	1621596	4	. . . SCREW,HEX HD-M6 X 16 LG			
- 53	5576268	1	. . . STIFFENER-BOARD			
- 54	5576296	1	. . . BOARD ASM			
- 55	4432593	1	. LABEL			
- 56	4432591	1	. LABEL,SOCKET LOCATION			
- 57	4432592	1	. LABEL			
- 58	825557	6	. CLAMP			
- 59	1310361	1	. CABLE ASM			
- 60	1621034	8	. SCREW,PAN HEAD-M3.5 X 12 LG			
- 61	1622345	8	. LCCKWASHER EXT STAR- M3.5, 7 OD			
- 62	1622402	8	. NUT,DBL CHAMFERED HEX-M 3.5 X 2.8 THK			
- 63	4124211	1	. GATE			

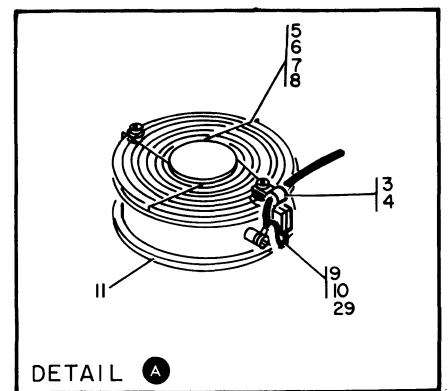
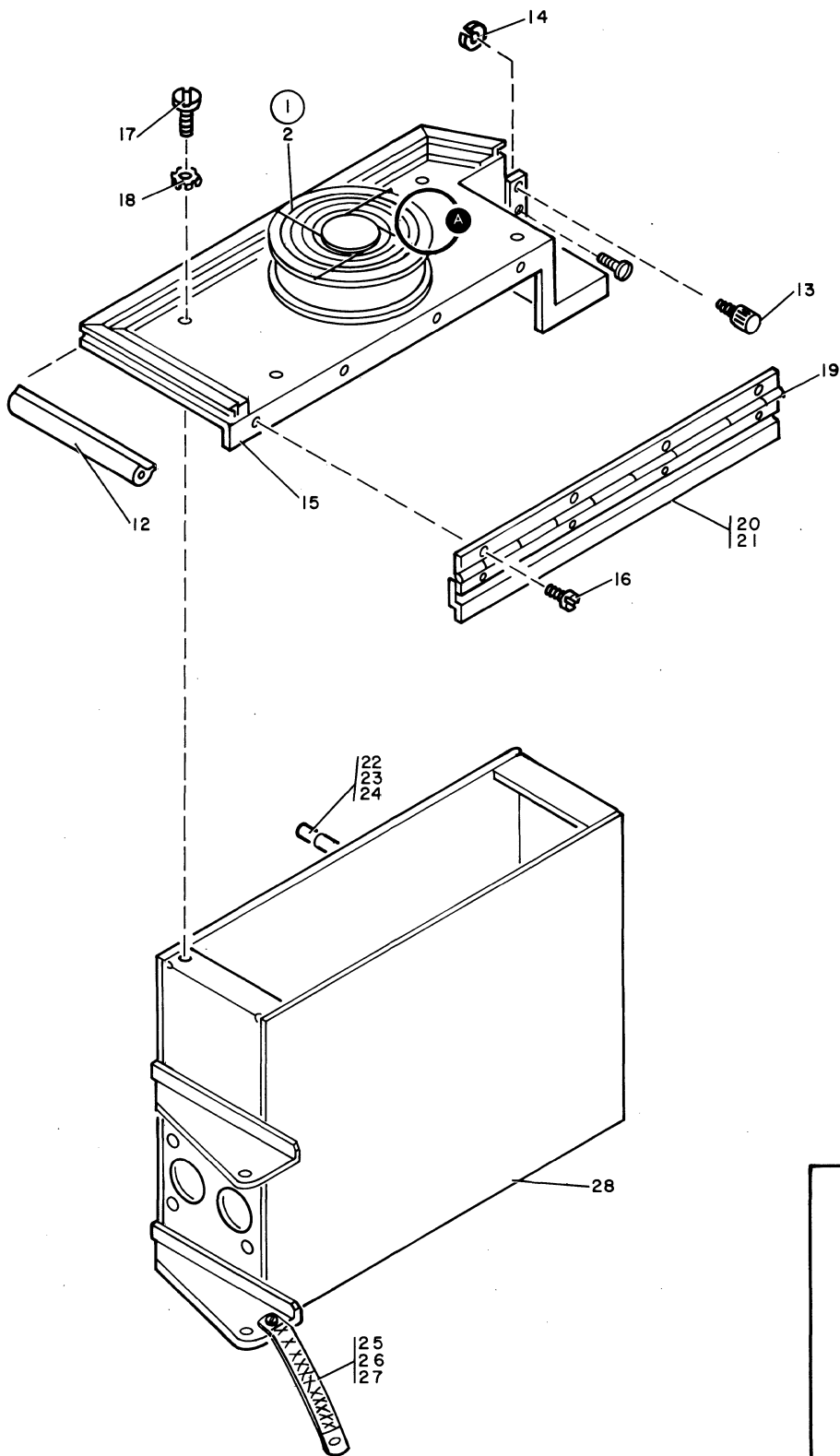


FIGURE 11. GATE ASSEMBLY-GATE 01C DUMMY. SEE LIST 11.

GATE ASSEMBLY-GATE 01C DUMMY

FIGURE- INDEX NUMBER	PART NUMBER	UNITS PER ASM.	DESCRIPTION			
			1	2	3	4
11 -	6831365	REF	GATE ASSEMBLY-GATE 01C DUMMY FOR NEXT HIGHER ASM SEE FIGURE 2-157 AND FOR ILLUSTRATION SEE FIGURE 11			
- 1	4123900	1	. FAN ASM- 50/60 HZ			
- 2	1622403	2	. NUT,DBL CHAMFERED HEX M4 X 3.2 THK			
- 3	825559	1	. . CLAMP			
- 4	1621195	1	. . SCREW,PAN HD-M4 X 30 LG			
- 5	4123902	1	. . GUARD,FAN			
- 6	1621194	1	. . SCREW,PAN HD-M4 X 20 LG			
- 7	1622346	2	. . LOCKWASHER,EXT STAR- M4, 8 OD X .5			
- 8	1622403	2	. . NUT,DBL CHAMFERED HEX M4 X 3.2 THK			
- 9	4124247	1	. . CABLE ASM-FAN FOR CABLE COMPONENT PARTS SEE FIGURE 21			
- 10	1673983	1	. . SCREW,PAN HD-M5 X 6 LG-BLUE ZINC COATED			
- 11	2549540	1	. . FAN,TUBE AXIAL- 200/240 V 50/60 HZ			
- 12	8483347	1	. SEAL			
- 13	4432813	1	. SCREW,THUMB-NO. 6			
- 14	264641	1	. RING,RETAINING EXT 0.114 ID X 0.025 THK			
- 15	6831326	1	. BARRIER ASM			
- 16	1621844	2	. SCREW,THD FORMING PAN HD-M3 X 6 LG			
- 17	1621190	4	. SCREW,PAN HD- M4 X 8 LG			
- 18	1622346	4	. LCCKWASHER,EXT STAR- M4, 8 OD X .5			
- 19	6831421	1	. HINGE			
- 19A	4109453	1	. PLATE, LATCH			
- 19B	1621198	1	. SCREW,PAN HD-M4 X 4 LG			
- 19C	1622304	1	. WASHER,FL- M4 9 OD X 0.8 THK			
- 19D	45690	1	. WASHER,FL- 0.203 ID X 0.438 OD			
- 20	6831366	1	. BRACKET			
- 21	1621844	8	. SCREW,THD FORMING PAN HD-M3 X 6 LG			
- 22	5578666	1	. SENSOR,AIR FLOW			
- 23	1621170	1	. SCREW,PAN HD- M3 X L 6A			
- 24	1622344	1	. LCCKWASHER,EXT STAR- M3 X 294 THK			
- 25	526098	1	. STRAP			
- 26	1621210	1	. SCREW,PAN HD- M5 X 10 LG			
- 27	1622347	1	. LCCKWASHER EXT STAR- M5, 10 OD X .6			
- 28	4432811	1	. GATE			
- 29	1622347	1	. LCCKWASHER EXT STAR- M5, 10 OD X .6			

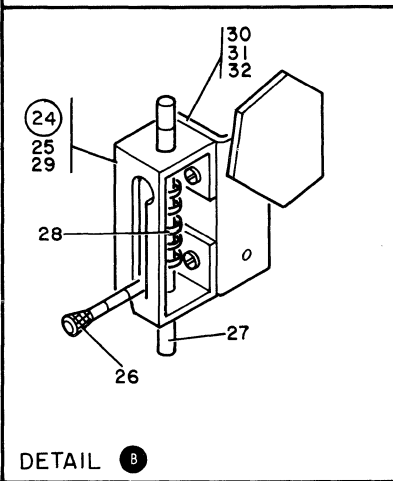
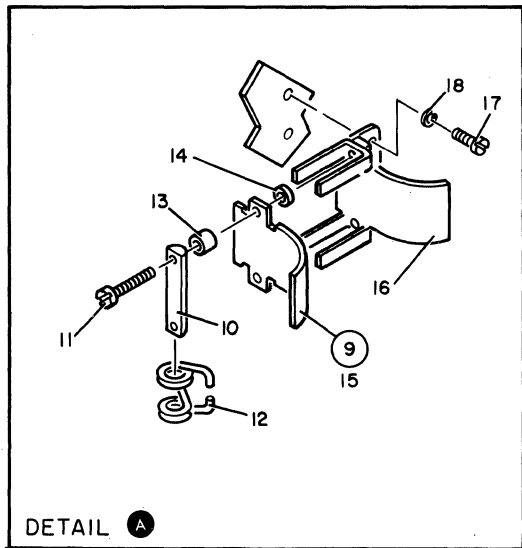
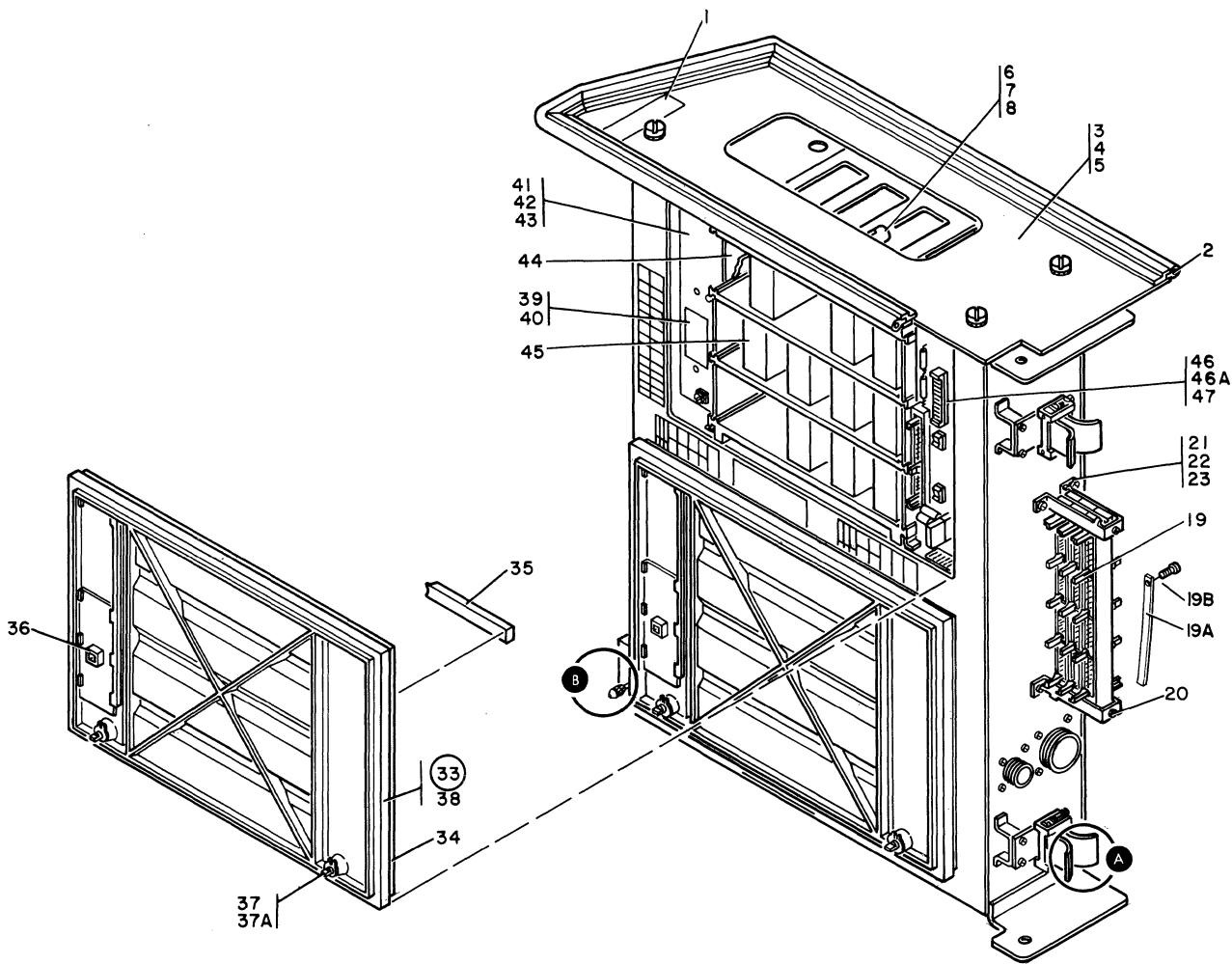


FIGURE 12. GATE ASSEMBLY-GATE 02. SHEET 1 OF 2. INDEX NOS. 1-47. SEE LIST 12.

GATE ASSEMBLY-GATE 02

FIGURE- INDEX NUMBER	PART NUMBER	UNITS PER ASM.	DESCRIPTION			
			1	2	3	4
12 -	4432600	REF	GATE ASSEMBLY-GATE 02 FIRST SOURCE			
-	1310330	REF	FIRST SOURCE ONLY GATE ASSEMBLY, 02 SECOND SOURCE ONLY FOR NEXT HIGHER ASM, SEE FIGURE 3-56 FOR ILLUSTRATION SEE FIGURE 12			
- 1	4432595	1	. LABEL-IMPORTANT,BCTH BOARDS INVERTED			
- 2	8483347	1	. SEAL			
- 3	4432814	1	. BARRIER ASM			
- 4	1621081	4	. SCREW,CHEESE HD-M5 X 12 LG			
- 5	1622347	4	. LCKKWASHER EXT STAR- M5, 10 OD X .6			
- 6	5578666	1	. SENSOR,AIR FLOW			
- 7	1621021	1	. SCREW,CHEESE HD- M3 X 8 LG			
- 8	1622344	1	. LCKKWASHER,EXT STAR- M3 X 294 THK			
- 9	815225	2	. CLAMP			
- 10	815220	1	. . EAR			
- 11	815174	2	. . SCREW,HEX SOC HD 8-32 X 1.750 LG			
- 12	813321	1	. . SPRING			
- 13	815219	2	. . SPACER			
- 14	816649	2	. . RETAINER			
- 15	815217	1	. . PLATE			
- 16	815171	2	. EACKPLATE			
- 17	1621062	4	. SCREW,CHEESE HD- M4 X 12 LG			
- 18	1622346	4	. LCKKWASHER,EXT STAR- M4, 8 OD X .5			
- 19	2732364	3	. BLOCK			
- 19A	4109483	4	. STRAP			
- 19B	1621171	8	. SCREW,PAN HD- M3 X 8 LG			
- 20	1621210	2	. SCREW,PAN HD- M5 X 10 LG			
- 21	5578646	2	. CLAMP			
- 22	1621062	4	. SCREW,CHEESE HD- M4 X 12 LG			
- 23	1622346	4	. LCKKWASHER,EXT STAR- M4, 8 OD X .5			
- 24	2172092	1	. LATCH ASM			
- 25	38352	2	. SCREW,BD HD- 6-32 X 0.375 LG			
- 26	528013	1	. . STUD			
- 27	528014	1	. . PIN			
- 28	528012	1	. . SPRING			
- 29	528011	1	. . BRACKET			
- 30	5578548	1	. BRACKET			
- 31	1621062	2	. SCREW,CHEESE HD- M4 X 12 LG			
- 32	1622346	2	. LOCKWASHER,EXT STAR- M4, 8 OD X .5			
- 33	5576260	2	. COVER ASM,CARD			
- 34	5576286	AR	. . SEAL			
- 35	5576209	AR	. . SEAL			
- 36	5576289	1	. . COVER-SLIDE			
- 37	5576281	2	. . STUD			
- 37A	139766	2	. . CLIP			
- 38	5576285	1	. . COVER			
- 39	317296	1	. LABEL			
- 40	598381	1	. LABEL			
- 41	5576245	2	. RETAINER,CARD			
- 42	1621192	4	. SCREW, MACH PAN HD-M4 X 12 LG			
- 43	2125963	4	. WASHER,FL SQUARE-M4			
- 44	4432674	AR	. CARD ASM, CONTROL			
- 45	1310340	AR	. MCDJLE ASM,POWER			
- 46	5576207	1	. CARD ASM-TEST STATION			
- 46A	1621193	2	. SCREW,PAN HD- M4 X 16LG			
- 47	2125963	2	. WASHER,FL SQUARE-M4			

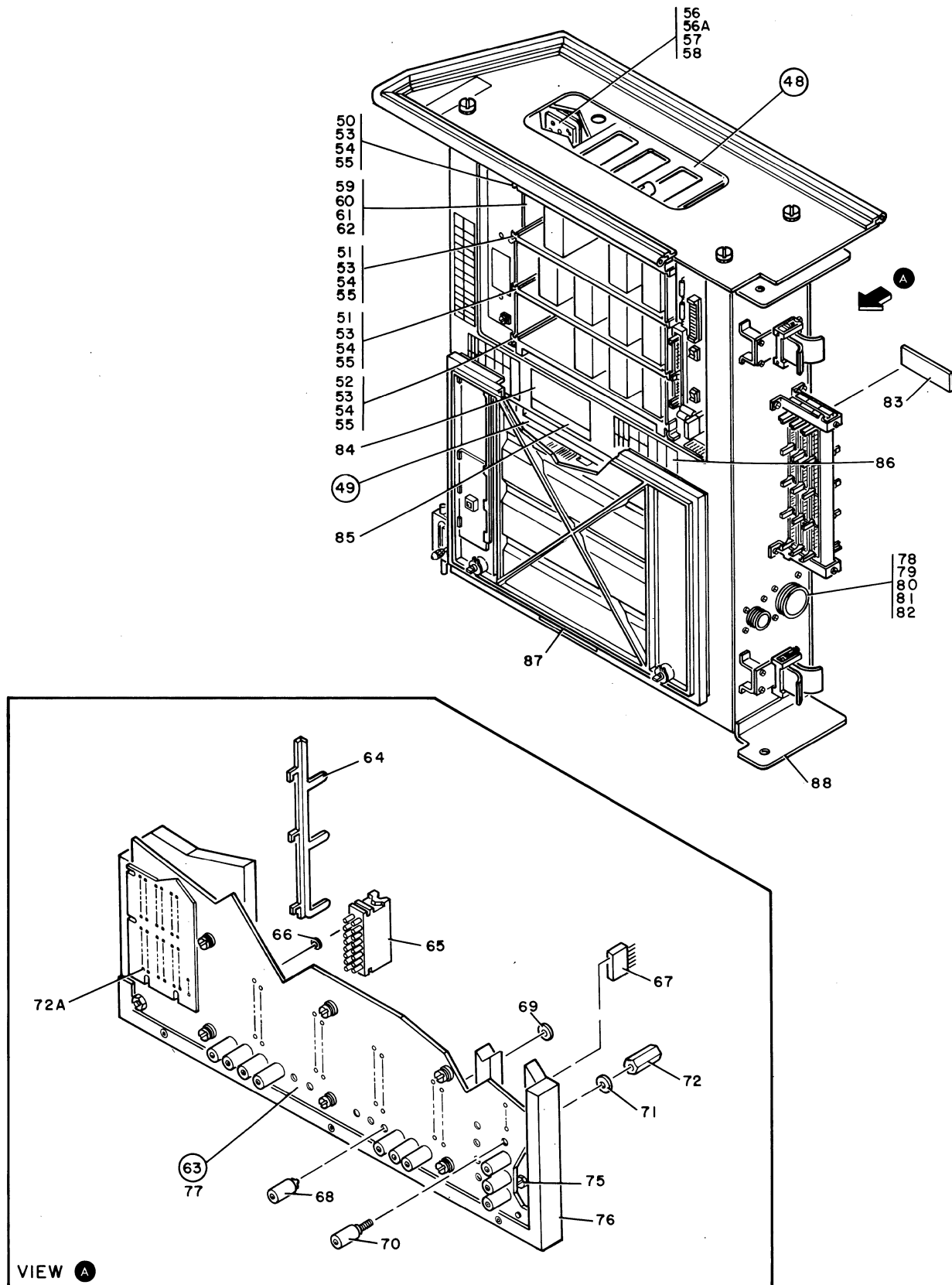


FIGURE 12. GATE ASSEMBLY-GATE 02. SHEET 2 OF 2. INDEX NOS. 48-88. SEE LIST 12.

GATE ASSEMBLY-GATE 02

FIGURE- INDEX NUMBER	PART NUMBER	UNITS PER ASM.	DESCRIPTION					
			1	2	3	4		
12 - 48	5576271	1	IPS ASM-A1 BOARD	
- 49	5576272	1	IPS ASM-A2 BOARD	
- 49	1310331	1	FIRST SOURCE ONLY IPS ASM, AZ BOARD	
- 50	5576264	1	SECOND SOURCE ONLY SUPPORT,CARD	
- 51	5576265	1	SUPPORT,CARD	
- 52	5576266	1	SUPPORT,CARD	
- 53	1621211	12	SCREW,PAN HD- M5 X 12 LG	ATT PT
- 54	1622305	12	WASHER,FL- M5 10 OD X 1 THK	ATT PT
- 55	5576199	12	WASHER,FL INSULATING-M5 17 OD X 1.6 THK	ATT PT
- 56	5576202	1	CARD ASM, 02A-A1	
- 56A	5576203	1	CARD ASM	
- 57	1621192	6	SCREW, MACH PAN HD-M4 X 12 LG	ATT PT
- 58	2125963	6	WASHER,FL SQUARE-M4	ATT PT
- 59	5576267	2	SUPPORT,CARD-VERTICAL	
- 60	1622405	4	NUT,HEX-M6 X 10 FL W	ATT PT
- 61	1622320	4	LOCKWASHER,SPLIT- M6,11.8 OD X 1.6 THK	ATT PT
- 62	1622306	4	WASHER,FLAT,M6- 12.5 OD X 2 THK	ATT PT
- 63	5576261	1	STIFFENER AND BOARD ASM-A1 BOARD	
- 63	4432629	1	(USED ON 5576271 IPS ASM) STIFFENER AND BOARD ASM.	
- 63	1310332	1	(USED ON 5576272 IPS ASM) FIRST SOURCE ONLY STIFFENER AND BOARD ASM, A2 BOARD	
- 64	811781	3	USED ON 1310331 IPS ASSEMBLY SECOND SOURCE ONLY GUIDEPOST	
- 65	5576219	12	RECEPTACLE	
- 66	839413	24	WASHER,FLAT NO. 14	
- 67	5922113	1	HEADER	
- 68	5576282	AR	STUD	
- 69	5576287	AR	WASHER 5.8 ID X 2 THK	
- 70	5576284	AR	STUD	
- 71	5576288	AR	STANDOFF	ATT PT
- 72	5576287	AR	WASHER 5.8 ID X 2 THK	ATT PT
- 72A	1310257 NR	1	CARD ASM,PERSONALIZATION-A1 BOARD	
- 72A	4432589 NR	1	(USED ON 5576261 STIFFENER AND BOARD ASM) CARD ASM, PERSONALIZATION-A2 BOARD	
- 72A	1310333	1	FIRST SOURCE (USED ON 5576262 STIF & BD ASM) (USED ON 5576262 STIFFENER AND BOARD ASM) CARD ASM, PERSONALIZATION-A2 BOARD	
- 72B	5576283	4	USED ON 1310332 STIFFENER AND BOARD ASM SECOND SOURCE ONLY SPACER	
- 73	4138473	8	SCREW,SHOULDER	
- 74	1177332	8	RING,RETAINER-C	ATT PT
- 75	1621596	4	SCREW,HEX HD-M6 X 16 LG	
- 76	5576268	1	STIFFENER-BOARD	
- 77	5576296	1	BOARD ASM	
- 78	825557	6	CLAMP	
- 79	1310360	1	CABLE ASM-PS240-242 TO 02A-A1,A2	
- 80	1621034	8	FOR CABLE COMPONENT PARTS SEE FIGURE 21 SCREW,PAN HEAD-M3.5 X 12 LG	ATT PT
- 81	1622345	8	LOCKWASHER EXT STAR- M3.5, 7 OD	ATT PT
- 82	1622402	8	NUT,EBL CHAMFERED HEX-M 3.5 X 2.8 THK	ATT PT
- 83	4432595	1	LABEL-IMPORTANT,BOTH BOARDS INVERTED	
- 84	4432593	1	LABEL	
- 85	4432594	1	LABEL-CAUTION	
- 86	4432592	2	LABEL	
- 87	4432595	1	LABEL-IMPORTANT,BOTH BOARDS INVERTED	
- 88	5576294	1	GATE	

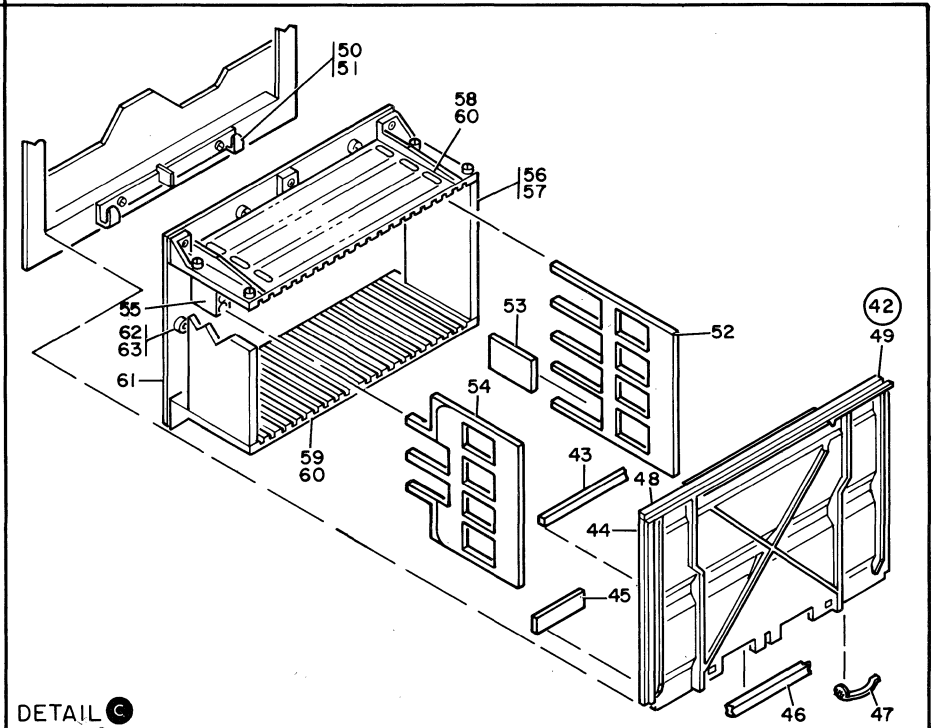
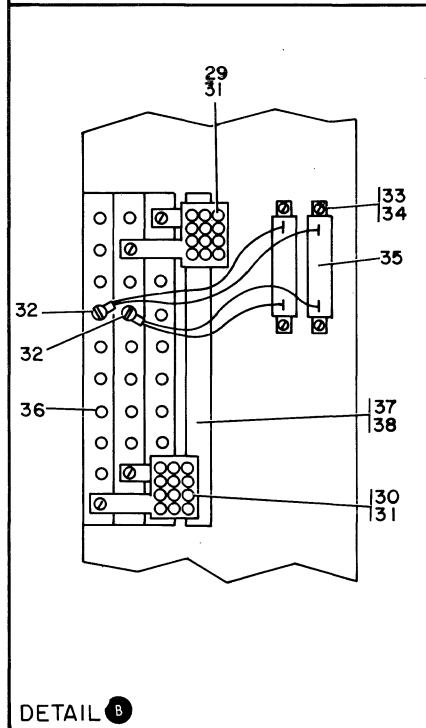
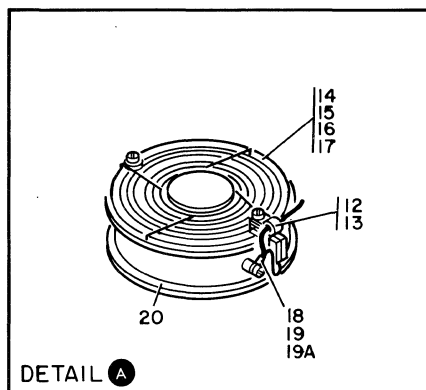
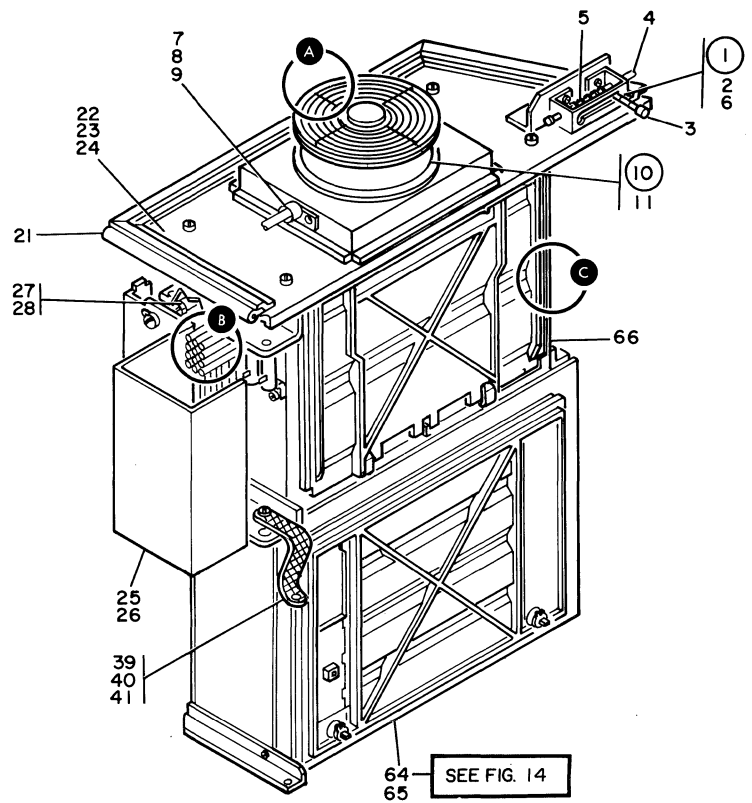


FIGURE 13. GATE ASSEMBLY-GATE 03. SEE LIST 13.

GATE ASSEMBLY-GATE 03

FIGURE- INDEX NUMBER	PART NUMBER	UNITS PER ASM.	DESCRIPTION			
			1	2	3	4
13 -	6831336	REF	GATE ASSEMBLY-GATE 03 FOR NEXT HIGHER ASM SEE FIGURE 4-31 AND FOR ILLUSTRATION SEE FIGURE 13			
- 1	2172092	1	. BATCH ASM			
- 2	10170	2	. SCREW,BD HD- 6-32 X 0.250 LG ATT PT			
- 3	528013	1	. . STUD			
- 4	528014	1	. . PIN			
- 5	528012	1	. . SPRING			
- 6	528011	1	. . BRACKET			
- 7	5578666	1	. SENSOR,AIR FLOW			
- 8	1621170	1	. SCREW,PAN HD- M3 X L 6A ATT PT			
- 9	1622344	1	. LOCKWASHER,EXT STAR- M3 X 294 THK ATT PT			
- 10	4123900	1	. FAN ASM- 50/60 HZ			
- 11	1622403	2	. NUT,DBL CHAMFERED HEX M4 X 3.2 THK ATT PT			
- 12	825559	1	. . CLAMP			
- 13	1621195	1	. . SCREW,PAN HD-M4 X 30 LG ATT PT			
- 14	4123902	1	. . GUARD,FAN			
- 15	1621194	1	. . SCREW,PAN HD-M4 X 20 LG ATT PT			
- 16	1622346	2	. . LOCKWASHER,EXT STAR- M4, 8 OD X .5 ATT PT			
- 17	1622403	2	. . NUT,DBL CHAMFERED HEX M4 X 3.2 THK ATT PT			
- 18	4124247	1	. . CABLE ASM-FAN FOR CABLE COMPONENT PARTS SEE FIGURE 21			
- 19	1673983	1	. . SCREW,PAN HD-M5 X 6 LG-BLUE ZINC COATED ATT PT			
- 19A	1622347	1	. . LOCKWASHER EXT STAR- M5, 10 OD X .6 ATT PT			
- 20	2549540	1	. . FAN,TUBE AXIAL- 200/240 V 50/60 HZ			
- 21	8483347	AR	. SEAL			
- 22	6831321	1	. BARRIER ASM			
- 23	1621190	4	. SCREW,PAN HD- M4 X 8 LG ATT PT			
- 24	1622346	4	. LOCKWASHER,EXT STAR- M4, 8 OD X .5 ATT PT			
- 25	4124233	1	. SHIELD			
- 26	32042	2	. SCREW,BD HD- 10-32 X 0.375 LG ATT PT			
- 27	819778	2	. STUD- 10-32 X 0.470LG			
- 28	819779	2	. SLEEVE,TERMINAL BLOCK STUD			
- 29	2637335	1	. CAPACITOR ASM,12PAC-(-3V)			
- 30	2637340	1	. CAPACITOR ASM, 12 PAC-(+1.25V)			
- 31	819765	4	. SCREW,BD HD- 8-32 X 0.375 LG ATT PT			
- 32	819765	2	. SCREW,BD HD- 8-32 X 0.375 LG			
- 33	510316	4	. BRACKET			
- 34	1621198	4	. SCREW,PAN HD-M4 X 4 LG ATT PT			
- 35	5896531	2	. RESISTOR ASM			
- 36	819030	1	. BLOCK ASM,TERMINAL			
- 37	819770	1	. ELOCK ASM			
- 38	92050	2	. SCREW,THD CTG PAN HD- 10-32 X 0.750 LG ATT PT			
- 39	526098	1	. STRAP			
- 40	1621210	1	. SCREW,PAN HD- M5 X 10 LG ATT PT			
- 41	1622347	1	. LOCKWASHER EXT STAR- M5, 10 OD X .6 ATT PT			
- 42	2637563	1	. COVER ASM			
- 43	2637576	3	. . SEAL,0.250 X 12.984 LG			
- 44	2637578	2	. . SEAL,0.400 X 9.06 LG			
- 45	2637577	2	. . SEAL,0.438 X 2.625 LG			
- 46	2637579	1	. . SEAL,0.375 X 8.875 LG			
- 47	2637568	2	. . SPRING			
- 48	2637580	1	. . SEAL,0.375 X 13.9 LG			
- 49	2637565	1	. . COVER			
- 50	2637567	1	. BRACKET			
- 51	731626	2	. SCREW,PAN HD- 6-32 X 0.250 LG ATT PT			
- 52	819078	2	. EXTENDER,CARD HOLDER			
- 53	818575	33	. HOUSING AND DUMMY CARD			
- 54	5298109	2	. HCLDER,CARD			
- 55	817388	4	. CAPACITOR ASM			
- 56	819075	2	. SPACER,BRACKET			
- 57	2181005	4	. SCREW,HEX HD- 6-32 X 0.375 LG ATT PT			
- 58	819074	1	. GUIDE,UPPER CARD			
- 59	819076	1	. GUIDE,LOWER CARD			
- 60	2457745	6	. SCREW,HEX SOC HD- 6-32 X 1.00 LG ATT PT			
- 61	4145588	NR	. ECARD ASM			
- 62	2457745	6	. SCREW,HEX SOC HD- 6-32 X 1.00 LG ATT PT			
- 63	22066	6	. WASHER- 0.140 ID X 0.281 OD ATT PT			
- 64	4432630	1	. GATE ASSEMBLY-GATE 03A-A2 FOR DETAIL BREAKDOWN SEE FIGURE 14			
- 65	1621190	4	. SCREW,PAN HD- M4 X 8 LG ATT PT			
- 66	5578611	1	. GATE			

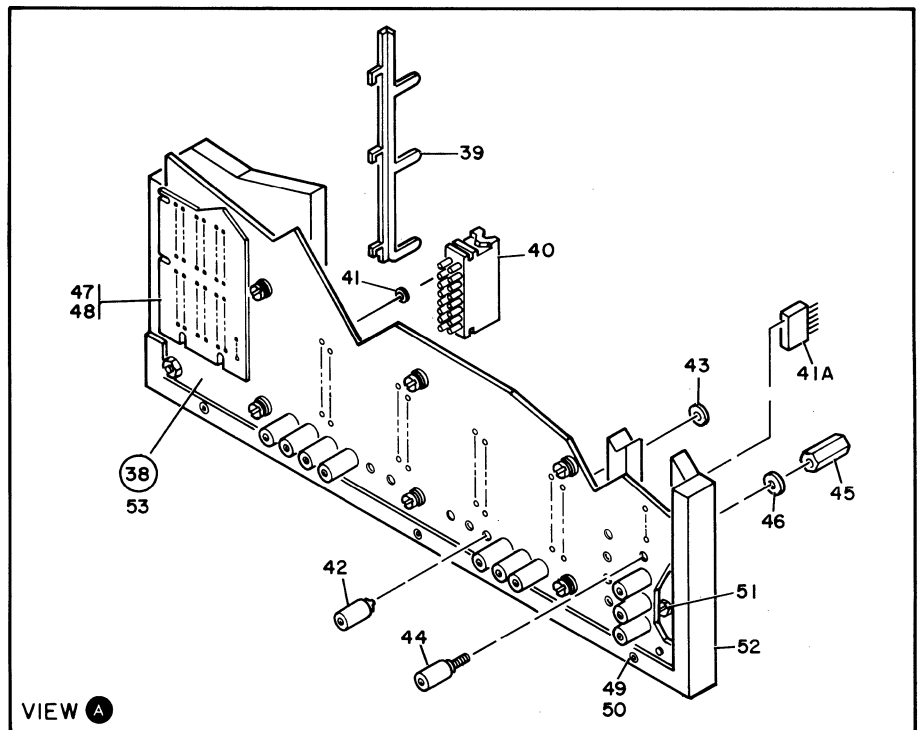
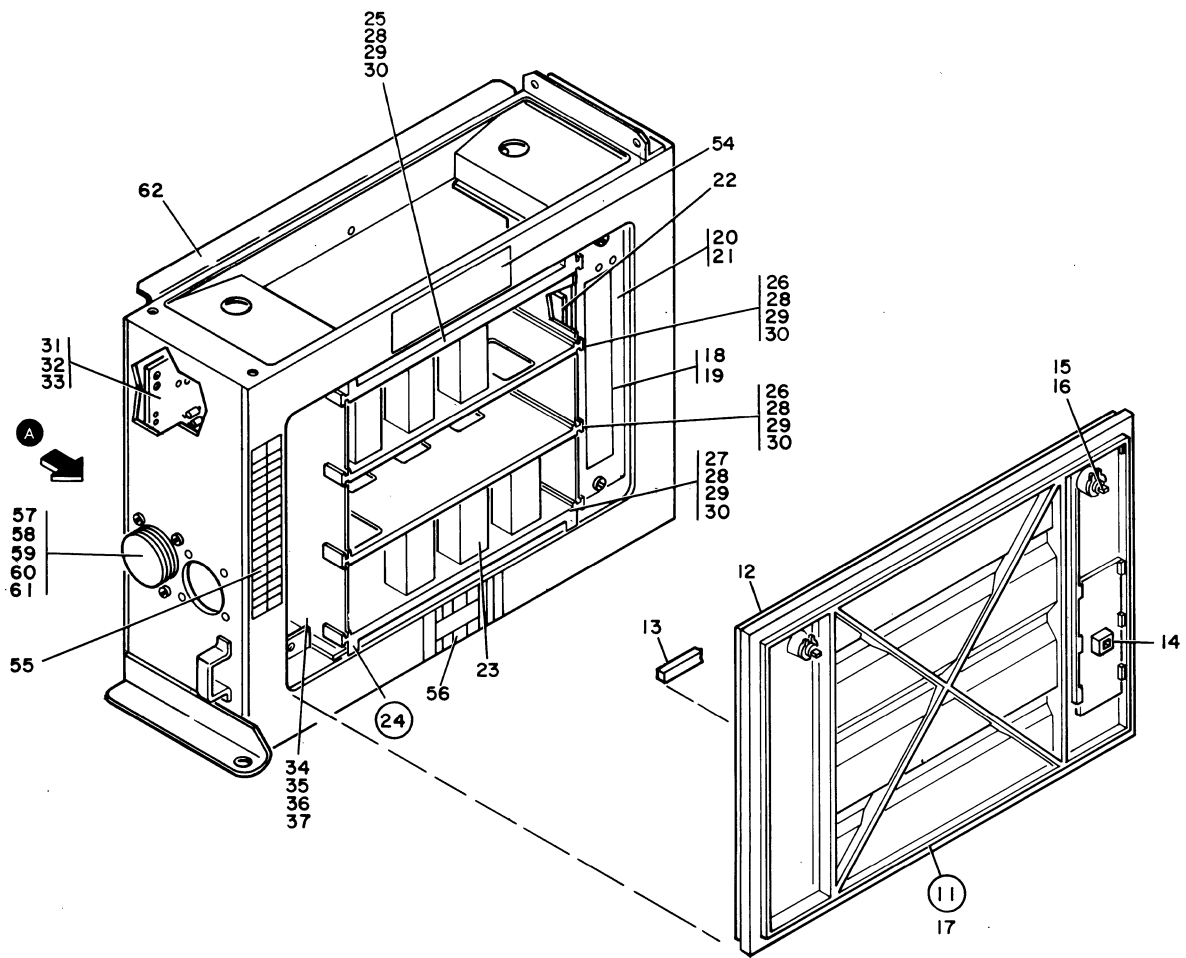


FIGURE 14. GATE ASSEMBLY-GATE 03A-A2. SEE LIST 14.

GATE ASSEMBLY-GATE 03A-A2

FIGURE- INDEX NUMBER	PART NUMBER	UNITS PER ASM.	DESCRIPTION			
			1	2	3	4
14 -	4432630	REF	GATE ASSEMBLY-GATE 03A-A2 FOR NEXT HIGHER ASM SEE FIGURE 13-64 AND FOR ILLUSTRATION SEE FIGURE 14			
- 11	5576260	1	. COVER ASM,CARD			
- 12	5576286	1	. . SEAL			
- 13	5576209	2	. . SEAL			
- 14	5576289	1	. . COVER-SLIDE			
- 15	5576281	2	. . STUD			
- 16	139766	2	. . CLIP			
- 17	5576285	1	. . COVER			
- 18	317296	1	. LABEL			
- 19	598381	1	. LABEL			
- 20	5576245	1	. RETAINER,CARD			
- 21	1621192	2	. SCREW, MACH PAN HD-M4 X 12 LG			
- 22	4432674	2	. CARD ASM, CONTROL			
- 22A	811804	2	. GUIDE,CARD- 2 WIDE			
- 23	1310340	2	. MODULE ASM,POWER			
- 24	4432588	1	. IPS ASM			
- 25	5576264	1	. . SUPPORT,CARD			
- 26	5576265	2	. . SUPPORT,CARD			
- 27	5576266	1	. . SUPPORT,CARD			
- 28	1621211	12	. . SCREW,PAN HD- M5 X 12 LG			
- 29	1622305	12	. . WASHER,FL- M5 10 OD X 1 THK			
- 30	5576199	12	. . WASHER,FL INSULATING-M5 17 OD X 1.6 THK			
- 31	5576205	1	. . CARD ASM			
- 32	1621192	6	. . SCREW, MACH PAN HD-M4 X 12 LG			
- 33	2125963	6	. . WASHER,FL SQUARE-M4			
- 34	5576267	2	. . SUPPORT,CARD-VERTICAL			
- 35	1622405	4	. . NUT,HEX-M6 X 10 FL W			
- 36	1622320	4	. . LOCKWASHER,SPLIT- M6,11.8 OD X 1.6 THK			
- 37	1622306	4	. . WASHER,FLAT,M6- 12.5 CC X 2 THK			
- 38	4432587	1	. . STIFFENER AND BOARD ASM			
- 39	811781	3	. . . GUIDEPOST			
- 40	5576219	12	. . . RECEPTACLE			
- 41	839413	24	. . . WASHER,FLAT NO. 14			
- 41A	5922113	NR	. . . HEADER			
- 42	5576282	24	. . . STUD			
- 43	5576287	24	. . . WASHER 5.8 ID X 2 THK			
- 44	5576284	26	. . . STUD			
- 45	5576288	26	. . . STANDOFF			
- 46	5576287	26	. . . WASHER 5.8 ID X 2 THK			
- 47	4432586	NR	. . . PERSONALIZATION CARD ASM			
- 48	5576283	4	. . . SPACER			
- 49	4138473	8	. . . SCREW,SHOULDER			
- 50	1177332	8	. . . RING,RETAINER-C			
- 51	1621596	4	. . . SCREW,HEX HD-M6 X 16 LG			
- 52	5576268	1	. . . STIFFENER-BOARD			
- 53	5576296	1	. . . BOARD ASM			
- 54	4432593	1	. LABEL			
- 55	4432591	1	. LABEL,SOCKET LOCATION			
- 56	4432592	1	. LABEL			
- 57	825557	6	. CIAMP			
- 58	6831431	1	. CABLE ASM-J342 TO 3AA2B4,3AA2B5 FOR CABLE COMPONENT PARTS SEE FIGURE 21			
- 59	1621034	4	. SCREW,PAN HEAD-M3.5 X 12 LG			
- 60	1622345	4	. LCCKWASHER EXT STAR- M3.5, 7 OD			
- 61	1622402	4	. NUT,LBL CHAMFERED HEX-M 3.5 X 2.8 THK			
- 62	5576259	1	. GATE			

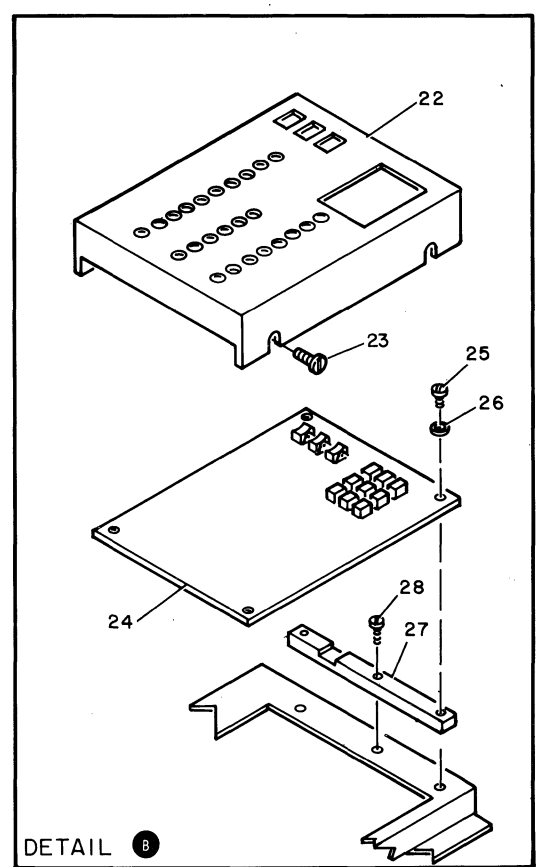
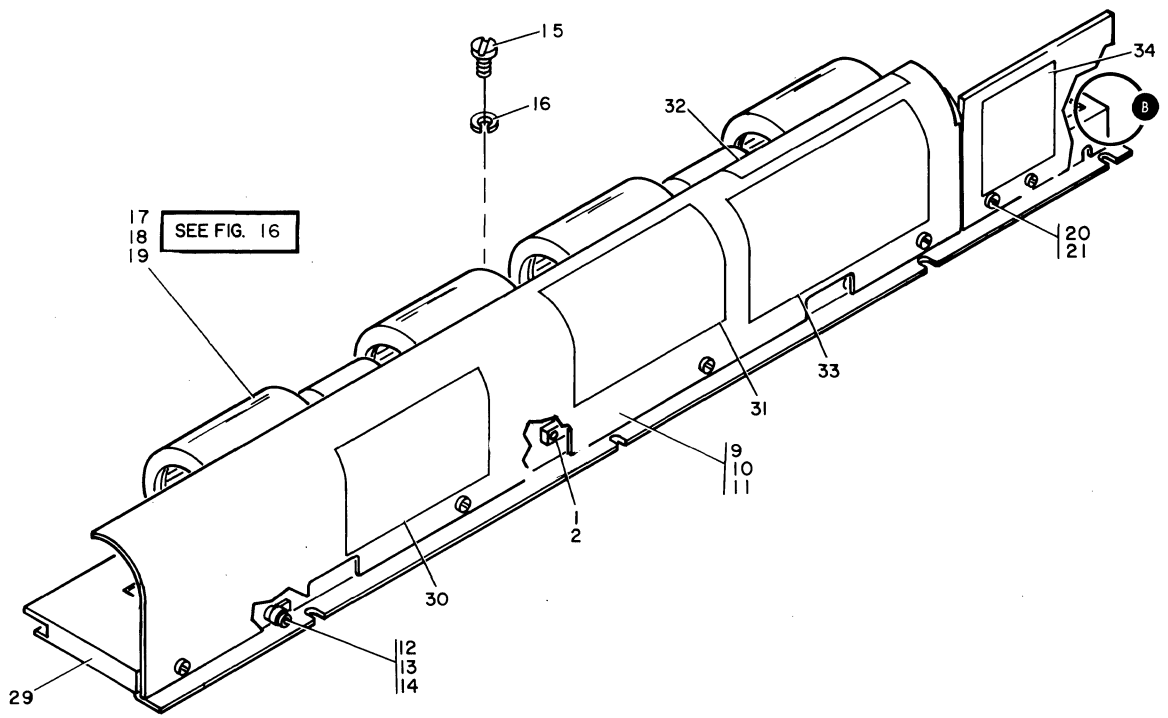


FIGURE 15. PLENUM AND BLOWER ASSEMBLY. SEE LIST 15.

PLENUM AND BLOWER ASSEMBLY

FIGURE- INDEX NUMBER	PART NUMBER	UNITS PER ASM.	DESCRIPTION			
			1	2	3	4
15 -	4124228	REF	PLENUM AND BLOWER ASSEMBLY- 60 HZ			
-	4124227	REF	PLENUM AND BLOWER ASSEMBLY- 50 HZ			
-	6831412	REF	FIRST SOURCE ONLY			
-	6831411	REF	PLENUM AND BLOWER ASM, 60 HZ			
-			PLENUM AND BLOWER ASM, 50 HZ			
-			SECOND SOURCE ONLY			
-			FOR NEXT HIGHER ASM, SEE FIGURE 2-165			
-			FOR ILLUSTRATION SEE FIGURE 15			
- 1	8483012	1	. THERMISTOR ASM			
- 2	1621173	2	. SCREW,PAN HD-M3 X 12 LG			
- 9	8330641	1	. BARRIER, SOUND			
- 10	1621190	4	. SCREW,PAN HD- M4 X 8 LG			
- 11	1622304	4	. WASHER,FL- M4 9 OD X 0.8 THK			
- 12	5578667	2	. SENSOR			
- 13	1621170	2	. SCREW,PAN HD- M3 X 1 6A			
- 14	1622344	2	. LCCKWASHER,EXT STAR- M3 X 294 THK			
- 15	2549780	1	. SCREW AND LOCKWASHER-THD FORM-M3 X 6 LG			
- 16	1622347	1	. LCCKWASHER EXT STAR- M5, 1C OD X .6			
- 17	5578672	2	. COOLING UNIT ASSEMBLY-GATE 01A, 60 HZ			
- 17	5578671	2	. COOLING UNIT ASSEMBLY-GATE 01A, 50 HZ			
- 18	1621212	8	. SCREW,PAN HD-M5 X 16 LG			
- 19	1622306	8	. WASHER,FLAT,M6- 12.5 OD X 2 THK			
- 20	4432863	1	. BARRIER,CE PANEL			
- 21	1621190	2	. SCREW,PAN HD- M4 X 8 LG			
- 22	8483510	1	. HOUSING-CE PANEL			
- 23	1621190	2	. SCREW,PAN HD- M4 X 8 LG			
- 24	4123644	1	. PANEL ASM,CE			
- 25	1621174	4	. SCREW-MACH PAN HD,M3 X 16 LG			
- 26	1622302	4	. WASHER,FL-M3 7 OD X 0.5 THK			
- 27	8483505	2	. SPACER			
- 28	1621170	2	. SCREW,PAN HD- M3 X 1 6A			
- 29	4123898	1	. FLENUM			
- 29	6831352	1	. FLENUM			
- 30	4109340	1	. LABEL			
- 30	4109394	1	. LABEL			
- 30	4109389	1	. LABEL			
- 31	4109346	1	. LABEL			
- 32	4109452	1	. LABEL			
- 33	4109343	1	. LABEL			
- 33	4109397	1	. LABEL			
- 33	4109392	1	. LABEL			
- 34	4109354	1	. LABEL			

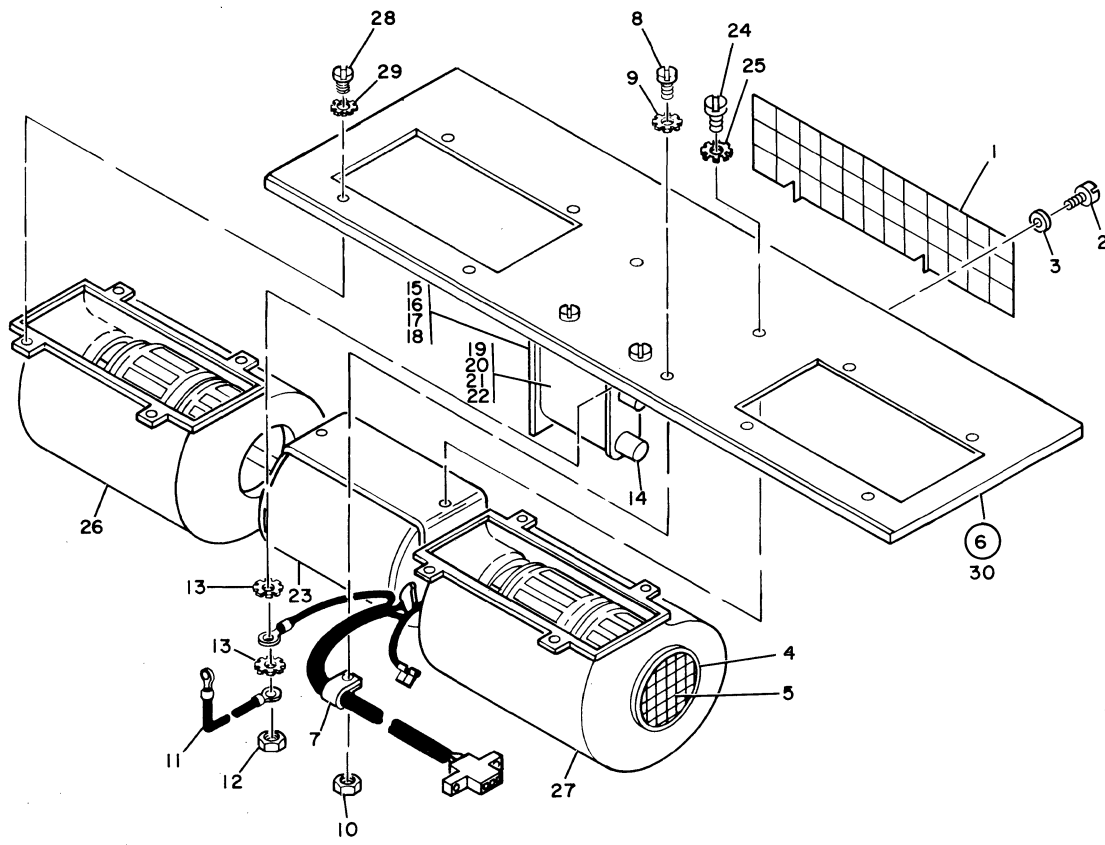


FIGURE 16. COOLING UNIT ASSEMBLY-GATE 01A. SEE LIST 16.

COOLING UNIT ASSEMBLY-GATE 01A

FIGURE- INDEX NUMBER	PART NUMBER	UNITS PER ASM.	DESCRIPTION			
			1	2	3	4
16 -	5578672	REF	COOLING UNIT ASSEMBLY-GATE 01A, 60 HZ			
-	5578671	REF	COOLING UNIT ASSEMBLY-GATE 01A, 50 HZ FOR NEXT HIGHER ASM SEE FIGURE 15-17 AND FOR ILLUSTRATION SEE FIGURE 16			
- 1	5578663	1	. SCREEN			
- 2	1621846	4	. SCREW, SELF TAP PAN HD-M3 X 10 LG			
- 3	1622305	4	. WASHER, FL- M5 10 OD X 1 THK			
- 4	5578511	2	. HUB			
- 5	5578512	1	. SCREEN			
- 6	4123904	1	. BLOWER ASM- 60 HZ			
- 6	4123905	1	. BLOWER ASM- 50 HZ			
- 6	4123906	1	. BLOWER ASM-60 HZ			
- 6	4123907	1	. BLOWER ASM-50 HZ			
- 7	804109	1	. CLAMP, 0.375 ID X 0.173 MTG HOLE			
- 8	322551	1	. SCREW, BD HD- 6-32 X 0.750 LG			
- 9	56722	1	. LOCKWASHER, EXT TEETH NO. 6			
- 10	257187	1	. NUT, HEX- 6-32			
- 11	5896697	1	. JUMPER ASM			
- 12	257187	1	. NUT, HEX- 6-32			
- 13	56722	2	. LOCKWASHER, EXT TEETH NO. 6			
- 14	526378	2	. INSULATOR			
- 15	5252824	1	. CAPACITOR			
- 16	11598	2	. NUT, HEX- 10-32			
- 17	56079	2	. LOCKWASHER, EXT TEETH- 0.204 ID X 0.410 O			
- 18	47242	2	. WASHER, FL- 0.219 ID X 0.500 OD			
- 19	5468318	1	. BRACKET, CAPACITOR			
- 20	322551	2	. SCREW, BD HD- 6-32 X 0.750 LG			
- 21	56722	4	. LOCKWASHER, EXT TEETH NC. 6			
- 22	257187	2	. NUT, HEX- 6-32			
- 23	4123911	1	. MOTOR ASM			
- 24	5677	2	. SCREW, BD HD- 10-32 X 0.750 LG			
- 25	56079	2	. LOCKWASHER, EXT TEETH- 0.204 ID X 0.410 O			
- 26	2561584	1	. SCROLL ASM, LEFT- 60 HZ			
- 26	1574353	1	. SCROLL ASM, LEFT- 50 HZ			
- 27	2561585	1	. SCROLL ASM, RIGHT- 60 HZ			
- 27	1574352	1	. SCROLL ASM, RIGHT- 50 HZ			
- 28	322065	8	. SCREW, BD HD- 6-32 X 0.625 LG			
- 29	56722	8	. LOCKWASHER, EXT TEETH NO. 6			
- 30	4123903		. PLATE			

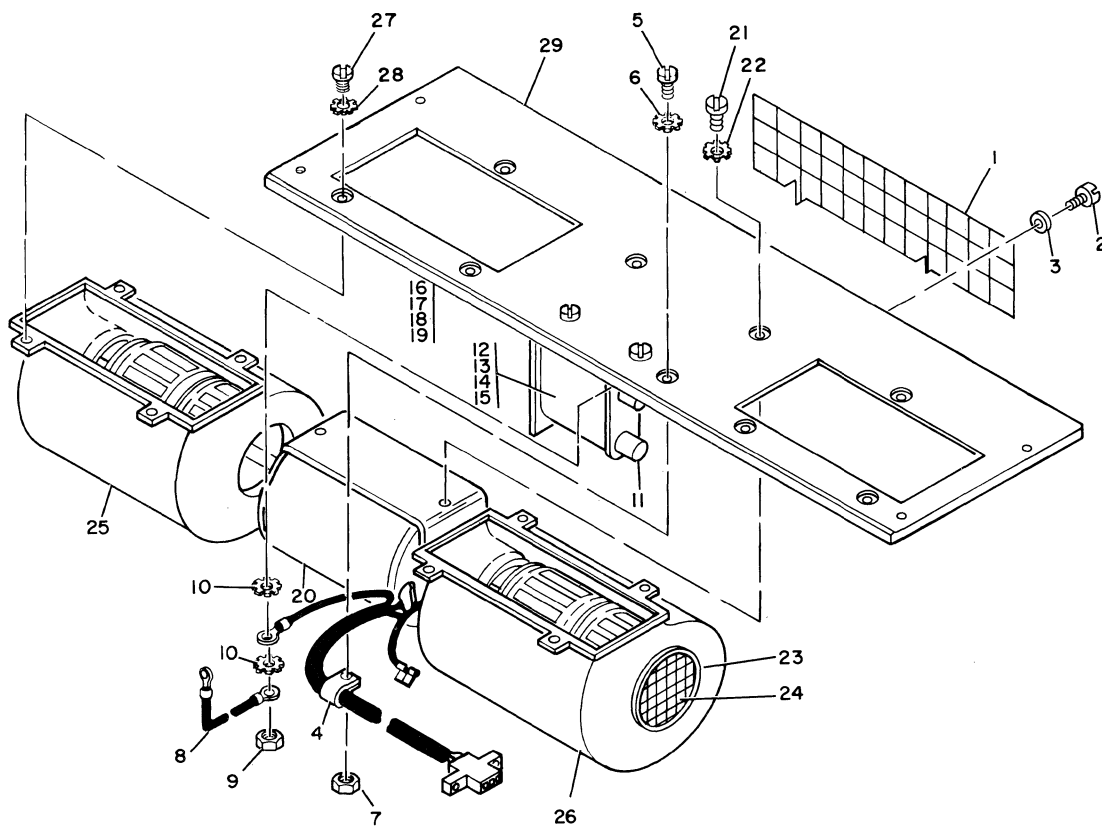


FIGURE 17. COOLING UNIT ASSEMBLY-GATE 01A SECOND SOURCE. SEE LIST 17.

COOLING UNIT ASSEMBLY-GATE 01A SECOND SOURCE

FIGURE- INDEX NUMBER	PART NUMBER	UNITS PER ASM.	DESCRIPTION			
			1	2	3	4
17 -	4432800	REF	COOLING UNIT ASM, GATE 01A-60 HZ			
-	4432810	REF	COOLING UNIT ASM, GATE 01A-50 HZ			
			FOR USE ON SECOND SOURCE GATE 01A ONLY			
			FOR NEXT HIGHER ASM SEE FIGURE 2-162			
			AND FOR ILLUSTRATION SEE FIGURE 17			
- 1	8330707	1	. SCREEN			
- 2	1621846	4	. SCREW,SELF TAP PAN HD-M3 X 10 LG			
- 3	1622304	4	. WASHER,FL- M4 9 OD X 0.8 THK			
- 4	804109	1	. CLAMP,0.375 ID X 0.173 MTG HOLE			
- 5	322551	1	. SCREW,BD HD- 6-32 X 0.750 LG			
- 6	56722	1	. LCKKWASHER,EXT TEETH NO. 6			
- 7	257187	1	. NUT,HEX- 6-32			
- 8	5896697	1	. JUMPER ASM			
- 9	257187	1	. NUT,HEX- 6-32			
- 10	56722	2	. LCKKWASHER,EXT TEETH NO. 6			
- 11	526378	2	. INSULATOR			
- 12	5252823	1	. CAPACITOR-NON PCB			
- 13	11598	2	. NUT,HEX- 10-32			
- 14	56079	2	. LCKKWASHER,EXT TEETH- 0.204 ID X 0.410 O			
- 15	47242	2	. WASHER,FL- 0.219 ID X 0.500 OD			
- 16	5468318	1	. BRACKET,CAPACITOR			
- 17	322551	2	. SCREW,BD HD- 6-32 X 0.750 LG			
- 18	56722	4	. LCKKWASHER,EXT TEETH NO. 6			
- 19	257187	2	. NUT,HEX- 6-32			
- 20	8330705	1	. MOTOR ASM			
- 21	322620	2	. CHOKE			
- 22	56079	2	. LCKKWASHER,EXT TEETH- 0.204 ID X 0.410 O			
- 23	5578511	2	. HUB			
- 24	5578512	2	. SCREEN			
- 25	5357145	1	. SCROLL AND WHEEL ASM- RIGHT			
- 25	5468305	1	. SCROLL ASM- RIGHT			
- 26	5357144	1	. SCROLL AND WHEEL ASM- LEFT			
- 26	5468306	1	. SCROLL ASM- LEFT			
- 27	322550	6	. SCREW,BD HD- 6-32 X 0.500 LG			
- 28	56722	6	. LCKKWASHER,EXT TEETH NO. 6			
- 29	8330704	1	. PLATE			

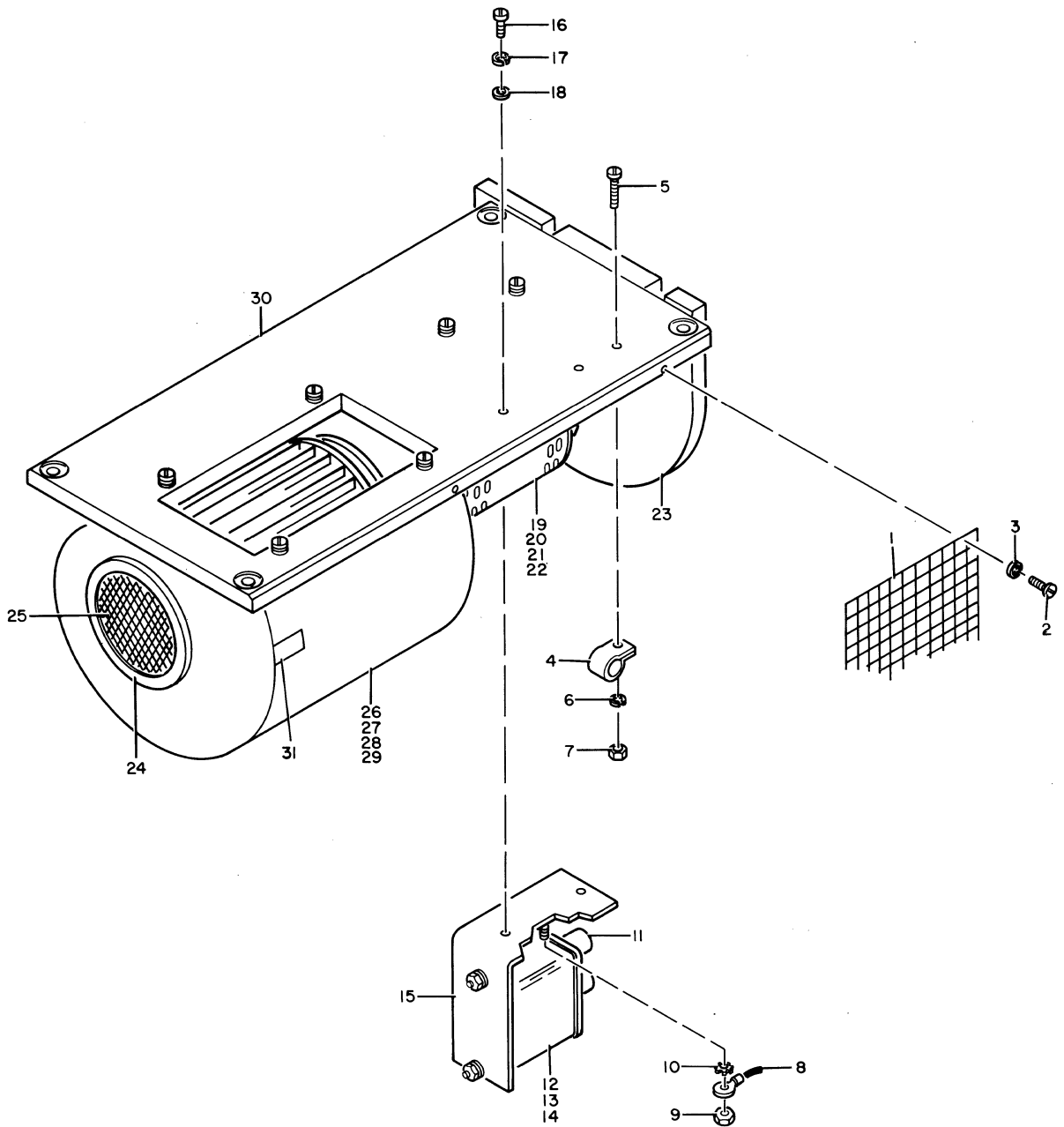


FIGURE 18. COOLING UNIT ASSEMBLY-GATE 02. SEE LIST 18.

COOLING UNIT ASSEMBLY-GATE 02

FIGURE- INDEX NUMBER	PART NUMBER	UNITS PER ASM.	DESCRIPTION			
			1	2	3	4
18 -	8330712	REF	COOLING UNIT ASSEMBLY-GATE 02, 60 HZ			
-	8330711	REF	COOLING UNIT ASSEMBLY-GATE 02, 50 HZ			
			FOR NEXT HIGHER ASM SEE FIGURE 3-47			
			AND FOR ILLUSTRATION SEE FIGURE 18			
- 1	5578663	1	. SCREEN			
- 2	1621846	4	. SCREW, SELF TAP PAN HD-M3 X 10 LG			
- 3	1622304	4	. WASHER, FL- M4 9 OD X 0.8 THK			
- 4	804109	1	. CIAMP, 0.375 ID X 0.173 MTG HOLE			
- 5	322551	1	. SCREW, BD HD- 6-32 X 0.750 LG			
- 6	56722	1	. LCCKWASHER, EXT TEETH NO. 6			
- 7	257187	1	. NUT, HEX- 6-32			
- 8	353707	1	. JUMPER ASM			
- 9	257187	1	. NUT, HEX- 6-32			
- 10	56722	2	. LCCKWASHER, EXT TEETH NO. 6			
- 11	526378	2	. INSULATOR			
- 12	5252857	1	. CAPACITOR, NON PCB			
- 13	11598	2	. NUT, HEX- 10-32			
- 14	56079	2	. LCCKWASHER, EXT TEETH- 0.204 ID X 0.410 O			
- 15	1573510	1	. BRACKET			
- 16	322065	2	. SCREW, BD HD- 6-32 X 0.625 LG			
- 17	257986	2	. WASHER			
- 18	56722	2	. LCCKWASHER, EXT TEETH NO. 6			
- 19	8330713	1	. MOTOR ASM			
- 20	10295	2	. SCREW, BD HD- 10-32 X 1.125 LG			
- 21	56079	2	. LCCKWASHER, EXT TEETH- 0.204 ID X 0.410 O			
- 22	45690	2	. WASHER, FL- 0.203 ID X 0.438 OD			
- 23	8330708	1	. SHIELD			
- 24	5578511	1	. HUB			
- 25	5578512	1	. SCREEN			
- 26	5468388	1	. SCROLL ASM- 60 HZ			
- 26	2561584	1	. SCROLL ASM- 50 HZ			
- 27	322065	4	. SCREW, BD HD- 6-32 X 0.625 LG			
- 28	56722	4	. LCCKWASHER, EXT TEETH NO. 6			
- 29	257986	4	. WASHER			
- 30	8330709	1	. PLATE			
- 31	825557	1	. CLAMP			

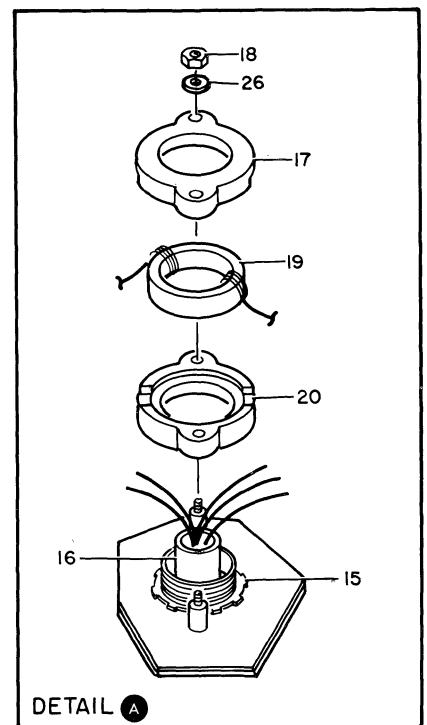
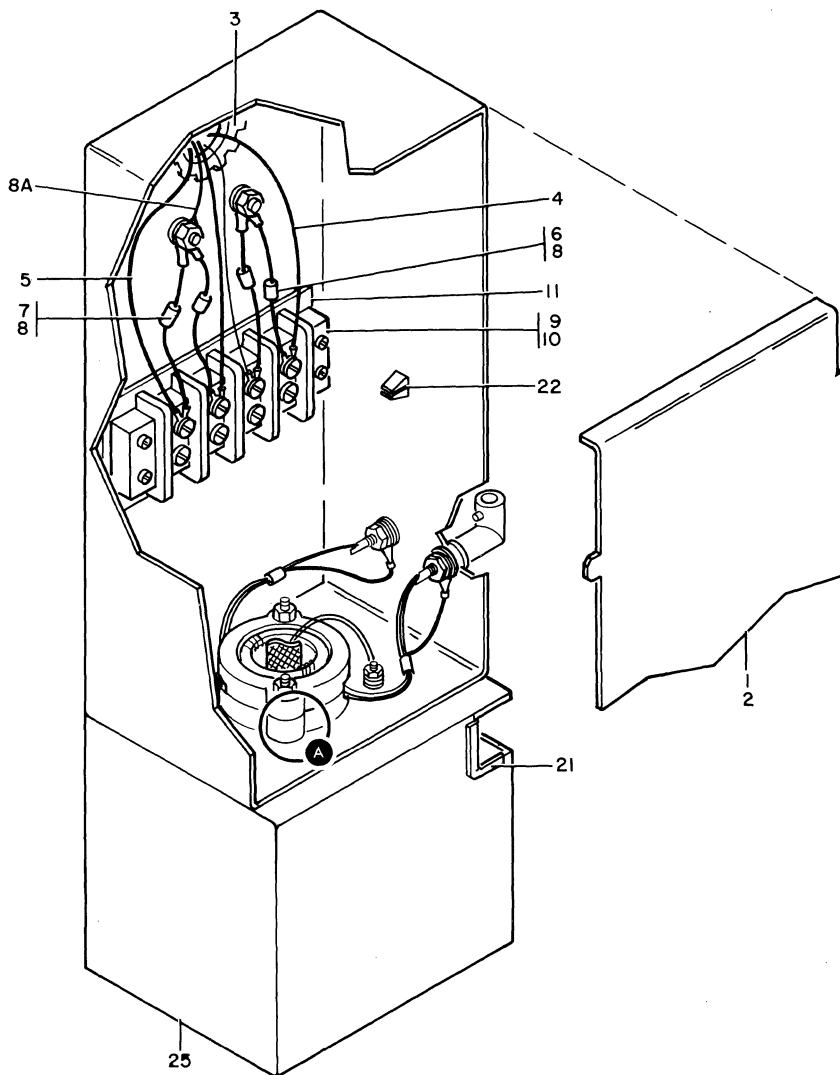


FIGURE 19. LINE FILTER ASSEMBLY. SEE LIST 19.

LINE FILTER ASSEMBLY

FIGURE- INDEX NUMBER	PART NUMBER	UNITS PER ASM.	DESCRIPTION			
			1	2	3	4
19 -	683145E	REF	LINE FILTER ASSEMBLY- 50HZ W/O 200V			
-	6831460	REF	LINE FILTER ASSEMBLY- 60 HZ FIRST SOURCE ONLY			
-	6831462	REF	LINE FILTER ASM, 60 HZ			
-	6831464	REF	LINE FILTER ASM, 200V 50/60 HZ WTC SECOND SOURCE ONLY FOR NEXT HIGHER ASM, SEE FIGURE 2-94 FOR ILLUSTRATION SEE FIGURE 19			
- 1	6831368	1	. COVER			
- 2	1621190	2	. SCREW,PAN HD- M4 X 8 LG			
- 3	473442	1	. GRGMET,CATERPILLAR			
- 4	6831497	3	. JUMPER			
- 5	683149E	1	. JUMPER			
- 6	4432847	3	. CAPACITOR ASM			
- 7	4432847	1	. CAPACITOR-USED ON 50 HZ 1ST SOURCE ONLY			
- 8	1622405	2	. NUT,HEX-M6 X 10 FL W			
- 8A	4109469	1	. JUMPER			
- 9	32384E	1	. BLOCK,TERMINAL- 4 POS			
- 10	1621193	4	. SCREW,PAN HD- M4 X 16LG			
- 11	2101400	1	. STRIP,MARKER			
- 12	1622405	2	. NUT,HEX-M6 X 10 FL W			
- 13	1622320	2	. LOCKWASHER,SPLIT- M6,11.8 OD X 1.6 THK			
- 14	1622306	2	. WASHER,FLAT,M6- 12.5 OD X 2 THK			
- 15	342250	1	. CLAMP,BOX CONNECTOR TYPE			
- 16	6831493	1	. CABLE ASM, 30A, 3P, 50HZ WITHOUT 200V, 4.3M FIRST SOURCE ONLY			
- 16	6831494	1	. CABLE ASM, 30A 3P 60 HZ 208/240V 4.3M FIRST SOURCE ONLY			
- 16	4109478	1	. CABLE ASM, 30A, 3P 50 HZ 50HZ CANADA ONLY			
- 16	6831495	1	. CABLE ASM, 30A, 3P 60 HZ 60HZ 1.8M SECOND SOURCE ONLY			
- 16	6831496	1	. CABLE ASM, 30A, 3P 50 HZ 200V 50/60HZ, 4.3M SECOND SOURCE ONLY FOR CABLE COMPONENT PARTS SEE FIGURE 21			
- 17	6831367	1	. SPACER			
- 18	1622403	2	. NUT,LBL CHAMFERED HEX M4 X 3.2 THK			
- 19	8483180	1	. CORE ASM,FERRITE			
- 20	6831367	1	. SPACER			
- 21	473442	1	. GRGMET,CATERPILLAR			
- 22	2277082	1	. MOUNT			
- 23	131005E	2	. RECEPTACLE			
- 24	1310482	4	. INSULATOR			
- 25	6831369	1	. BCX			
- 26	1622305	2	. WASHER,FL- M5 10 OD X 1 THK			

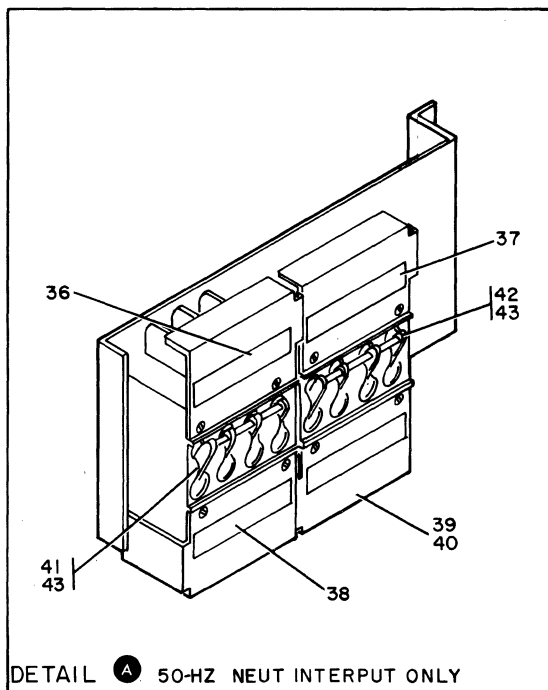
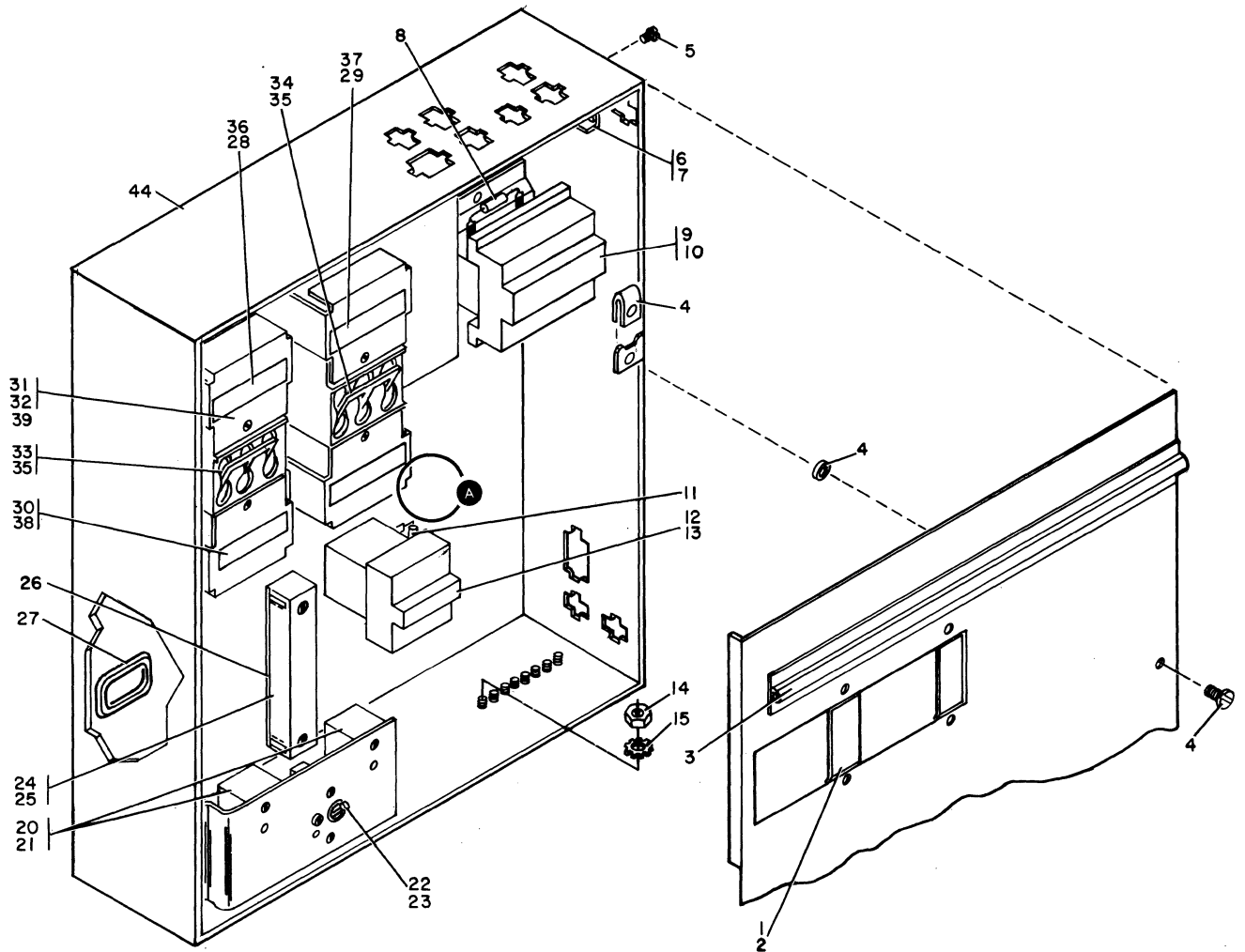


FIGURE 20. PCC BOX ASSEMBLY. SEE LIST 20.

PCC BOX ASSEMBLY

FIGURE- INDEX NUMBER	PART NUMBER	UNITS PER ASM.	DESCRIPTION			
			1	2	3	4
20 -	6831445	REF	PCC BOX ASSEMBLY- 60 HZ			
-	6831446	REF	PCC BOX ASSEMBLY- 50 HZ FOR NEXT HIGHER ASM SEE FIGURE 2-63 AND FOR ILLUSTRATION SEE FIGURE 20			
- 1	8483160	2	. BRACKET			
- 2	1621170	4	. SCREW,PAN HD- M3 X L 6A			
- 3	8483347	AR	. SEAL			
- 4	4204962	1	. FASTENER ASM			
- 5	1621171	4	. SCREW,PAN HD- M3 X 8 LG			
- 6	5271288	1	. TERMINAL			
- 7	162117C	1	. SCREW,PAN HD- M3 X L 6A			
- 8	2542049	1	. RESISTOR,DIODE ASM WITH SPADE TERMINALS			
- 9	2561149	1	. CONTACTOR ASM USED ON 50HZ			
- 9	2128748	1	. CONTACTOR,MAGNETIC 24 VOLT COIL USED ON 60HZ			
- 10	1621198	2	. SCREW,PAN HD-M4 X 4 LG			
- 11	2542049	1	. RESISTOR,DIODE ASM WITH SPADE TERMINALS			
- 12	5276701	1	. CONTACTOR,MAGNETIC 24 VDC			
- 13	162117C	2	. SCREW,PAN HD- M3 X L 6A			
- 14	1622403	8	. NUT,DBL CHAMFERED HEX M4 X 3.2 THK			
- 15	1622346	8	. LOCKWASHER,EXT STAR- M4, 8 OD X .5			
- 20	2242321	2	. RELAY			
- 21	81693	2	. SCREW,BD HD- 6-32 X 0.375 LG			
- 22	2574136	1	. CIRCUIT PROTECTOR			
- 23	38442	2	. SCREW,FL HD- 6-32 X 0.250 LG			
- 24	1799218	1	. BLOCK,TERMINAL			
- 25	1621066	2	. SCREW-MACH CHEESE HD,M4 X 30 LG			
- 26	1799206	1	. INSULATOR,TERMINAL BOARD			
- 27	730432	1	. GFCMMET,CATERPILLAR			
- 28	8483171	1	. LABEL-CB1 USED ON 60HZ			
- 29	8483173	1	. LABEL-CB2 USED ON 60HZ			
- 30	8483177	2	. LABEL-T1/T4 USED ON 60HZ			
- 31	1570563	4	. COVER USED ON 60HZ			
- 32	38443	4	. SCREW,FL CSK HD- 6-32 X 0.312 LG			
- 33	5214256	1	. CIRCUIT PROTECTOR-USED ON ALL 60HZ			
- 33	4120541	1	. CIRCUIT PROTECTOR USED ON 50HZ W/O N.I.			
- 34	5252506	1	. CIRCUIT PROTECTOR-USED CN 60 HZ			
- 34	4120543	1	. CIRCUIT PROTECTOR USED ON 50HZ W/C N.I.			
- 35	1621191	8	. SCREW,PAN HD- M4 X 10 LG USED ON 50HZ ONLY			
- 36	8483163	1	. LABEL-CB1 - USED ON 50 HZ			
- 37	8483165	1	. LABEL-CB2 USED ON 50HZ			
- 38	8483169	2	. LABEL-T1/T4 USED ON 50HZ			
- 39	1896820	4	. COVER USED ON 50HZ			
- 40	38443	8	. SCREW,FL CSK HD- 6-32 X 0.312 LG			
- 41	4109388	1	. CIRCUIT PROTECTOR, 50 HZ USED ON 50HZ WITH N.I.			
- 42	4120601	1	. CIRCUIT PROTECTOR, 50 HZ USED ON 50HZ WITH N.I.			
- 43	1621191	8	. SCREW,PAN HD- M4 X 10 LG			
- 44	6831332	1	. BOX ASM			

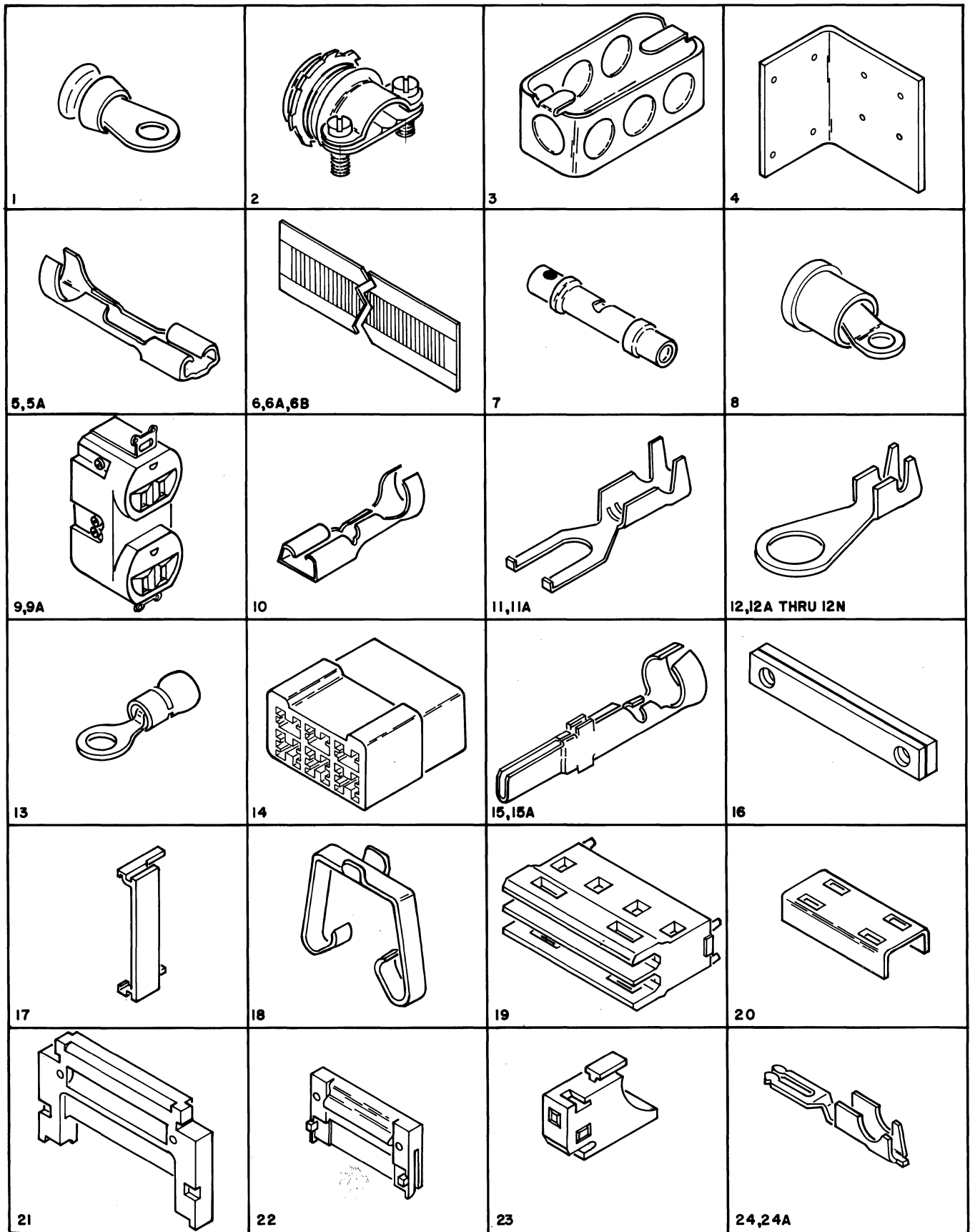


FIGURE 21. CABLE ASSEMBLIES WITH COMPONENT PARTS. SHEET 1 OF 4. INDEX NOS. 1-24A. SEE LIST 21.

CABLE ASSEMBLIES WITH COMPONENT PARTS

FIGURE- INDEX NUMBER	PART NUMBER	UNITS PER ASM.	DESCRIPTION			
			1	2	3	4
21			LINE CORD ASSEMBLIES			
- A	6831493	1	LINE CORD- 30A,3P,50HZ,W/C 200V FOR COMPONENT PARTS SEE INDEXES 12K,12N			
- A	6831494	1	LINE CORD- 30A,3P,60 HZ,208/240V FOR COMPONENT PARTS SEE INDEXES 12G,12K,12N,82			
- A	4109478	1	LINE CORD- 30A,3P FOR COMPONENT PARTS SEE INDEXES -12G,-12K AND -12N			
			CABLE ASSEMBLIES			
- B	1310304	1	CABLE ASM-CONN 26 TO TB1 FOR COMPONENT PARTS SEE INDEXES 6,12C,12N,29A,43,63,64			
- B	1310357	1	CABLE ASM- 01A B2 TO FRAME 02 HSC FOR COMPONENT PARTS SEE INDEXES 16,17,30,35,54B,55,55A,65,71,80,81A,81D			
- B	1310360	1	CABLE ASM-PS240,242 TO 02A-A1,A2 FOR COMPONENT PARTS SEE INDEXES 16,17,30,36,54A,54C,71,72,81A,81G,81H			
- B	1310363	1	CABLE ASM-METER FOR COMPONENT PARTS SEE INDEXES 5,12,30,34,44			
- B	4123750	1	CABLE ASM-PS205-CONN 2-IPS 201 FOR COMPONENT PARTS SEE INDEXES 30,33,49,56,67,68A			
- B	4123752	1	CABLE ASM-CONN 57 TO TB205 (60 HZ) FOR COMPONENT PARTS SEE INDEXES 12K,15,29A,30,62			
- B	4123753	1	CABLE ASM-TB 205 TO TR 201-A-P1 FOR COMPONENT PARTS SEE INDEXES 12K,15A,29A,30,61			
- B	4123754	1	CABLE ASM-TB 205 TO TR 202-P1 FOR COMPONENT PARTS SEE INDEXES 12K,15A,29A,30,55A,61			
- B	4123755	1	CABLE ASM-CONN 24 TO FRO2 FLOWERS FOR COMPONENT PARTS SEE INDEXES 30,32,33,40,43,44			
- B	4123765	1	CABLE ASM-FRO2 SENSORS TO J241 FOR COMPONENT PARTS SEE INDEXES 30,31B,33B,36,40,41,45,54A			
- C	4123824	1	CABLE ASM-TR 201 FOR COMPONENT PARTS SEE INDEXES 12D,12N,15,29A,55A,62			
- C	4123827	1	CABLE ASM-BIAS FOR COMPONENT PARTS SEE INDEXES 12B,12L,29,33,39			
- C	4123828	1	CABLE ASM-TR 202 FOR COMPONENT PARTS SEE INDEXES 12B,12N,15,55A,62			
- C	4124112	1	CABLE ASM-PCC GATE AND'S FOR COMPONENT PARTS SEE INDEXES 30,39,43,63,64			
- C	4124138	1	CABLE ASM-CH/CH FOR COMPONENT PARTS SEE INDEXES 12D,12N,15,29A,55A,62			
- C	4124178	1	CABLE ASM-THERMAL SWITCH FOR COMPONENT PARTS SEE INDEXES 30,31,37			
- C	4124179	1	CABLE ASM-THERMAL SWITCH FOR COMPONENT PARTS SEE INDEXES 30,31,37			
- C	4124182	1	CABLE ASM-THERMAL SWITCH FOR COMPONENT PARTS SEE INDEXES 30,31,37			
- C	4124183	1	CABLE ASM-THERMAL SWITCH FOR COMPONENT PARTS SEE INDEXES 30,31,37			
- C	4124192	1	CABLE ASM-TR 201-C FOR COMPONENT PARTS SEE INDEXES 1,6,8,30,52,53			
- D	4124193	1	CABLE ASM-TR 201-B FOR COMPONENT PARTS SEE INDEXES 6,8,30,52,53,66			

CABLE ASSEMBLIES WITH COMPONENT PARTS

FIGURE- INDEX NUMBER	PART NUMBER	UNITS PER ASM.	DESCRIPTION			
			1	2	3	4
21 - D	4124194	1	CABLE	ASM-TR 201-E	FOR COMPONENT PARTS SEE INDEXES	
- D	4124195	1	CABLE	ASM-TR 201-A	FOR COMPONENT PARTS SEE INDEXES	
- D	4124196	1	CABLE	ASM-TR 201-C	FOR COMPONENT PARTS SEE INDEXES	
- D	4124197	1	CABLE	ASM-TR 202	FOR COMPONENT PARTS SEE INDEXES	
- D	4124202	1	CABLE	ASM-TR 202	FOR COMPONENT PARTS SEE INDEXES	
- D	4124203	1	CABLE	ASM-TR 201-A	FOR COMPONENT PARTS SEE INDEXES	
- D	4124240	1	CABLE	ASM-CONN 57 TO TB 205 (50 HZ)	FOR COMPONENT PARTS SEE INDEXES	
- D	4124241	1	CABLE	ASM-TB 205 TO TR 201-B-P1	FOR COMPONENT PARTS SEE INDEXES	
- D	4124242	1	CABLE	ASM-TB 205 TO TR 201-C-P1	FOR COMPONENT PARTS SEE INDEXES	
- E	4124247	1	CABLE	ASM-FAN	FOR COMPONENT PARTS SEE INDEXES	
- E	4155354	1	CABLE	ASM-CONN 1	FOR COMPONENT PARTS SEE INDEXES	
- E	4155374	1	CABLE	ASM-CONN 1 TO CR3,4 W1-1	FOR COMPONENT PARTS SEE INDEXES	
- E	4432400	1	CABLE	ASM-CONN 224 TO IPS 201	FOR COMPONENT PARTS SEE INDEXES	
- E	4432401	1	CABLE	ASM-TB1 TO CONN 224	FOR COMPONENT PARTS SEE INDEXES	
- E	4432402	1	CABLE	ASM-PS 205-CONN 2-IPS 201&CONN 246	FOR COMPONENT PARTS SEE INDEXES	
- E	4432403	1	CABLE	ASM-CONN 246 TO IPS-101	FOR COMPONENT PARTS SEE INDEXES	
- E	4432404	1	CABLE	ASM-IPS 101 REMOTE SENSE	FOR COMPONENT PARTS SEE INDEXES	
- F	4432405	1	CABLE	ASM-J243 TO IPS 101 (01C-A1)	FOR COMPONENT PARTS SEE INDEXES	
- E	4432406	1	CABLE	ASM-PS 201 AND TB 206 TO P 243	FOR COMPONENT PARTS SEE INDEXES	
- F	4432409	1	CABLE	ASM-PCC-20 TO AMD'S 101, 107	FOR COMPONENT PARTS SEE INDEXES	
- F	4432410	1	CABLE	ASM-PCC-20 TO AMD'S 101, 106, 107	FOR COMPONENT PARTS SEE INDEXES	
- F	4432411	1	CABLE	ASM-PCC TO GATE AMD'S	FOR COMPONENT PARTS SEE INDEXES	
- F	4432777	1	CABLE	ASM-01F-J2 TO 01A-D2	FOR COMPONENT PARTS SEE INDEXES	
- F	4432780	1	CABLE	ASM-J142, J150 TO 1CA1B4, 1CA1B5	FOR COMPONENT PARTS SEE INDEXES	
- F	4432784	1	CABLE	ASM-1AB2A5 TO 1AC2V5, APS 106	FOR COMPONENT PARTS SEE INDEXES	
- G	4432785	1	CABLE	ASM-FR 01 SENSORS	FOR COMPONENT PARTS SEE INDEXES	

CABLE ASSEMBLIES WITH COMPONENT PARTS

FIGURE- INDEX NUMBER	PART NUMBER	UNITS PER ASM.	DESCRIPTION			
			1	2	3	4
21						5, 5A, 7, 16, 17, 30, 31A, 33B, 40, 44, 57, 58, 65, 71, 81A, 81C, 81F
- G	5576244	1				CABLE ASM-TEST STATION 31, 33, 41, 42
- G	5578478	1				CABLE ASM-FILE FOR COMPONENT PARTS SEE INDEXES 12H, 16, 17, 37, 51, 63, 64, 65A, 71, 81A
- G	5578479	1				CABLE ASM-COAX, 01A B2Y4 TO 01F FOR COMPONENT PARTS SEE INDEXES 6, 16, 30, 65A, 69, 81A
- G	5578846	1				CAELE ASM-CONN 244 TO IPS 201 FOR COMPONENT PARTS SEE INDEXES 30, 32, 48, 56, 67, 68
- G	5578847	1				CABLE ASM-TBB1 TO CONN 244 FOR COMPONENT PARTS SEE INDEXES 12E, 30, 33, 47
- G	5578870	1				CAELE ASM-CB2 TO K4 WITH NEUP INTERRUPT FOR COMPONENT PARTS SEE INDEXES 12K, 30
- G	5578871	1				CABLE ASM-CB2 TO K4 WITH NEUP INTERRUPT FOR COMPONENT PARTS SEE INDEXES 12K, 30
- G	5578873	1				CABLE ASM-CONV OUTLET (50 HZ) FOR COMPONENT PARTS SEE INDEXES 2, 3, 9A, 11, 11A, 30, 33, 43
- G	5578876	1				CABLE ASM-AC CONN 20, 21, 24, 25 (AMD) FOR COMPONENT PARTS SEE INDEXES 6, 10, 12E, 29, 30, 44, 64
- H	5578879	1				CAELE ASM-PCC CONN 47 TO DISK FOR COMPONENT PARTS SEE INDEXES 44, 45, 63, 64
- H	5578880	1				CABLE ASM-CB1 TO TB2 FOR COMPONENT PARTS SEE INDEXES 12J, 29, 30
- H	5578881	1				CABLE ASM-AC DIST FOR COMPONENT PARTS SEE INDEXES 12B, 12C, 12F, 29, 30, 32, 33, 44, 46, 48, 64
- H	5578882	1				CABLE ASM-AC CONN 54 (CONV OUTLET) FOR COMPONENT PARTS SEE INDEXES 6, 10, 12E, 29, 30, 32, 44
- H	5578884	1				CABLE ASM-PCC TO 01A-D2 FOR COMPONENT PARTS SEE INDEXES 7 16, 17, 30, 33, 49, 65, 81A
- H	5578888	1				CABLE ASM-K4 TO CONN 57 FOR COMPONENT PARTS SEE INDEXES 12G, 12K, 15A, 29A, 30, 61
- H	5578889	1				CABLE ASM-K4 TO CONN 57 WITH NEUP INTRP FOR COMPONENT PARTS SEE INDEXES 12G, 12K, 15A, 29A, 30, 61
- H	5578890	1				CAELE ASM-TB2 TO CONN 27 (TR 101) FOR COMPONENT PARTS SEE INDEXES 12E, 29, 30, 44, 64
- H	5578919	1				CABLE ASM-TR 206 TO PS 201, 205 FOR COMPONENT PARTS SEE INDEXES 29, 30, 33, 37, 43
- H	5578920	1				CAELE ASM-J243 TO IPS 101 FOR COMPONENT PARTS SEE INDEXES 29, 30, 33, 41, 59, 67 1
- J	5578922	1				CABLE ASM- 24 VOLT DIST FOR COMPONENT PARTS SEE INDEXES 5, 6, 10, 12A, 12B, 12C, 30, 32, 50
- J	5578931	1				CAELE ASM-J243 TO IPS 101 FOR COMPONENT PARTS SEE INDEXES 12F, 12G, 30, 33, 45, 59, 67
- J	5578932	1				CABLE PS 203 TO IPS 101 FOR COMPONENT PARTS SEE INDEXES 30, 33, 43, 56, 67, 68A
- J	5578933	1				CAELE ASM-IPS 101 TO TBB2 FOR COMPONENT PARTS SEE INDEXES 12F, 12G, 30
- J	5578934	1				CABLE ASM-TBB2 TO IPS 101 (REMOTE SENSE) FOR COMPONENT PARTS SEE INDEXES 12E, 30, 56, 67, 68
- J	5578939	1				CAELE ASM-MPP-01 TO IPO SWITCH FOR COMPONENT PARTS SEE INDEXES 29, 30, 32, 42
- J	5802225	1				CABLE ASM- 20SIG (POLYETHYLENE)

CABLE ASSEMBLIES WITH COMPONENT PARTS

FIGURE- INDEX NUMBER	PART NUMBER	UNITS PER ASM.	DESCRIPTION			
			1	2	3	4
21			FOR COMPONENT PARTS SEE INDEXES 6A,21,22,81B			
- J	6831425	1	HARNESS ASM- 1AA2 TO 01E 3 CHANNEL BASIC 30,76,77,79			
- K	6831426	1	HARNESS ASM- 1AA2 TO 01E 3 CHAN FEATURE FOR COMPONENT PARTS SEE INDEXES 30,76,77,79			
- K	6831427	1	HARNESS ASM- 1AA1-1AB1 UPPER FOR COMPONENT PARTS SEE INDEXES 30,76,77,79			
- K	6831428	1	HARNESS ASM- 03A-03E (CH-CH) FOR COMPONENT PARTS SEE INDEXES 26,27,30,76,77,79,79A			
- K	6831430	1	CABLE ASM- 1AB2-A4 TO FR 03 AND CH-CH FOR COMPONENT PARTS SEE INDEXES 16,17,30,33A,35,45,47,54,71,81K			
- K	6831431	1	CAELE ASM-J342 TO 3AA2B4,3AA2B5 FOR COMPONENT PARTS SEE INDEXES 16,17,30,36,54A,71,72,81A,81E			
- K	6831432	1	CAELE ASM-J300 TO FR 03 SENSE FOR COMPONENT PARTS SEE INDEXES 6B,23,24A,25,26,30,31A,31B,33B,40,48			
- K	6831475	1	CABLE ASM-PS 301 TO IPS 301 FOR COMPONENT PARTS SEE INDEXES 30,33B,43,56,67,68A			
- K	6831476	1	CAELE ASM-PS 301 CONN 05 TO 03A-A1 FOR COMPONENT PARTS SEE INDEXES 24,25,32A,45			
- K	6831477	1	CABLE ASM-TBB2 TO IPS 301 03AA2 FOR COMPONENT PARTS SEE INDEXES 12E,30,56,67,68			
- K	6831478	1	CAELE ASM-IPS 301 TO TBB2 FOR COMPONENT PARTS SEE INDEXES 12F,12G,30			
- L	6831479	1	CABLE ASM-PS 301 AND J247 TO IPS 301 FOR COMPONENT PARTS SEE INDEXES 12F,12G,30,32,38,59,67			
- L	6831480	1	CABLE ASM-TB 206 TO P247 +5V BIAS FOR COMPONENT PARTS SEE INDEXES 30,33,37,7C			
- L	6831481	1	CABLE ASM-TB 205 TO TR 301-P1 FOR COMPONENT PARTS SEE INDEXES 12K,15A,29A,30,61			
- L	6831482	1	CAELE ASM-PCC-25 TO FR 03 AMD'S FOR COMPONENT PARTS SEE INDEXES 30,32,33,43,44			
- L	6831483	1	CABLE ASM-TB 206 TO PS 301-01 FOR COMPONENT PARTS SEE INDEXES 30,33A,41,70			
- L	6831484	1	CABLE ASM-CONN 54 TO TR 107 FOR COMPONENT PARTS SEE INDEXES 6,12B,12H,30,33,43			
- L	6831485	1	CABLE ASM-CONV OUTLET (60 HZ) FOR COMPONENT PARTS SEE INDEXES 2,3,4,9,11,11A,30,33,39			
- L	6831486	1	CAELE ASM-TR 107 TO TR 107 CONN 1 FOR COMPONENT PARTS SEE INDEXES 12B,12H,30,32,40,70			
- M	6831489	1	CABLE ASM-PS 101-03 TO PS 104-02 FOR COMPONENT PARTS SEE INDEXES 30,32,33,41			
- M	6831490	1	CAELE ASM-PS 101-07 TO TB 206 FOR COMPONENT PARTS SEE INDEXES 29,30,33,45			
- M	6831491	1	CABLE ASM-PS 101 TO SEI AND MPP-01 FOR COMPONENT PARTS SEE INDEXES 29,30,41,56,63,67			
- M	6831492	1	CABLE ASM-PS 101 TO 01A-D2 FOR COMPONENT PARTS SEE INDEXES 18,19,20,30,39,47,63			
- M	8482247	1	CABLE ASM-01A D2 TO LINE FILTER FOR COMPONENT PARTS SEE INDEXES 16,17,65,81A			
- M	8482759	1	CAELE ASM-SPI FOR COMPONENT PARTS SEE INDEXES 43,63,64			
- M	4109359	1	CABLE ASM-I/O COMPLETE FOR SPI			

CABLE ASSEMBLIES WITH COMPONENT PARTS

FIGURE- INDEX NUMBER	PART NUMBER	UNITS PER ASM.	DESCRIPTION			
			1	2	3	4
21			FOR COMPONENT PARTS SEE INDEXES 14,28,43,63			
- 1	82725	AR	. TERMINAL, INSULATED- 17/64 ID			
- 3	194355	AR	. CUTLET BOX			
- 4	194356	AR	. BRACKET			
- 5	236915	AR	. TERMINAL, CONTACT FEMALE 20-18 AWG			
- 5A	236916	AR	. TERMINAL, CONTACT- FEMALE 24-22 AWG			
- 6	317296	AR	. LABEL			
- 6A	811825	AR	. LABEL			
- 6B	813769	AR	. DECAL			
- 7	321051	AR	. CCNNECTOR, TWO WAY INSULATED			
- 8	335970	AR	. TERMINAL, LUG 8 AWG 1/4 MTG HOLE			
- 9	357995	AR	. OUTLET, CONV 115V 60 HZ			
- 9A	418835	AR	. CUTLET, CONVENIENCE 220V 50 CY			
- 10	430798	AR	. TERMINAL, RECEPTACLE 20-18 AWG			
- 11	483651	AR	. TERMINAL, FLANGED SPADE, NO.8 STUD			
- 11A	483652	AR	. TERMINAL, FLANGED SPADE- 14-16AWG			
- 12	483673	AR	. TERMINAL, RING, NO.2 STUD, 18-20 AWG			
- 12A	483675	AR	. TERMINAL, RING, NO.4 STUD, 18-20 AWG			
- 12B	483677	AR	. TERMINAL, RING, NO.6 STUD, 18-20 AWG			
- 12C	483678	AR	. TERMINAL, RING, NO.6 STUD, 14-16 AWG			
- 12D	483679	AR	. TERMINAL, RING, NO.6 STUD, 10-12 AWG			
- 12E	483681	AR	. TERMINAL, RING, NO.8 STUD, 18-20 AWG			
- 12F	483682	AR	. TERMINAL, RING, NO.8 STUD, 14-16 AWG			
- 12G	483683	AR	. TERMINAL, RING, NO.8 STUD, 10-12 AWG			
- 12H	483685	AR	. TERMINAL, RING, NO.10 STUD, 18-20 AWG			
- 12J	483686	AR	. TERMINAL, RING, NO.10 STUD, 14-16 AWG			
- 12K	483687	AR	. TERMINAL, RING, NO. 10 STUD, 10-12 AWG			
- 12L	483688	AR	. TERMINAL, RING, NO. 0.250 STUD, 18-20 AWG			
- 12M	483689	AR	. TERMINAL, RING, NO. 0.250 STUD, 14-16 AWG			
- 12N	483690	AR	. TERMINAL, RING, NO. 0.250 STUD, 10-12 AWG			
- 13	504879	AR	. TERMINAL, LUG			
- 14	523268	AR	. CONNECTOR			
- 15	738254	AR	. TERMINAL ASM, MALE, 12-14 AWG			
- 15A	738255	AR	. TERMINAL ASM, FEMALE, 12-14 AWG			
- 16	740459	AR	. STIFFENER			
- 17	811802	AR	. CARD GUIDE			
- 18	813681	AR	. CCNTACT			
- 19	813801	AR	. HCUSING			
- 20	813802	AR	. COVER, VOLTAGE CROSSOVER			
- 21	813803	AR	. RELIEF			
- 22	813804	AR	. RELIEF			
- 23	815688	AR	. LABEL-6 PAC			
- 24	816883	AR	. CCNNECTOR-18-20AWG			
- 24A	817770	AR	. CONNECTOR-22-24AWG			

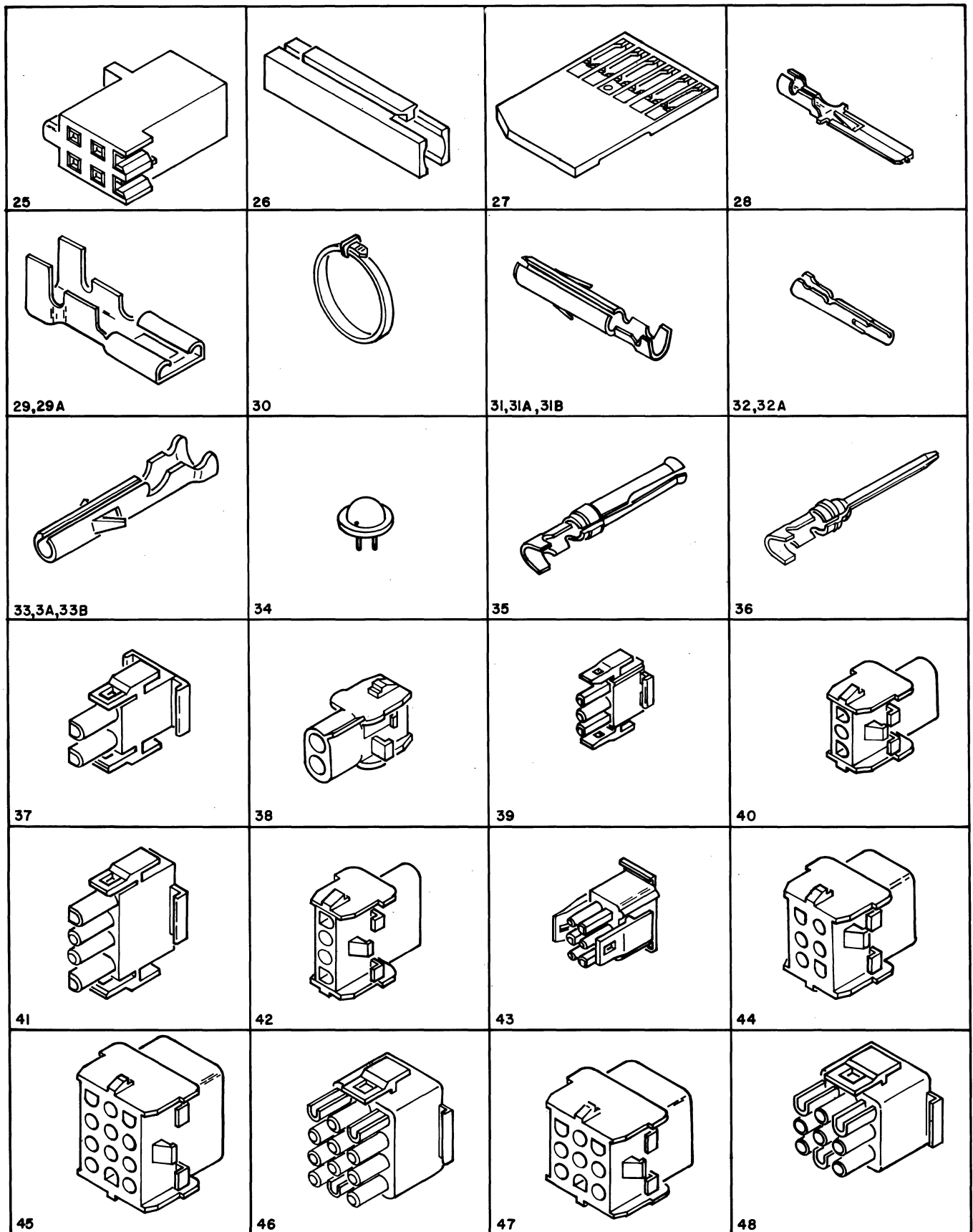


FIGURE 21. CABLE ASSEMBLIES WITH COMPONENT PARTS. SHEET 2 OF 4. INDEX NOS. 25-48. SEE LIST 21.

CABLE ASSEMBLIES WITH COMPONENT PARTS

FIGURE- INDEX NUMBER	PART NUMBER	UNITS PER ASM.	DESCRIPTION			
			1	2	3	4
21 - 25	818101	AR	.	HOUSING,CROSSOVER CONNECTOR		
- 26	818268	AR	.	RETAINER,CONNECTOR HOUSING-GREY BLACK		
- 27	818686	AR	.	RETAINER,CONNECTOR HOUSING-NATURAL		
- 28	827991	AR	.	CONNECT,TAB TERMINAL		
- 29	1127037	AR	.	TERMINAL,WIRE		
- 29A	2502307	AR	.	TERMINAL		
- 30	1159913	AR	.	CLAMP,STRAP CAM STAY		
- 31	1471018	AR	.	TERMINAL,SOCKET		
- 31A	1661131	AR	.	TERMINAL,SOCKET		
- 31B	1661132	AR	.	TERMINAL,SOCKET		
- 32	1471027	AR	.	PIN,TERMINAL		
- 32A	1661129	AR	.	TERMINAL		
- 33	1471028	AR	.	CONTACT		
- 33A	1661128	AR	.	TERMINAL,SOCKET		
- 33B	1661130	AR	.	TERMINAL		
- 34	1589880	AR	.	L.E.D.		
- 35	1655337	AR	.	CONTACT SOCKET		
- 36	1655339	AR	.	PIN,CONTACT		
- 37	1847524	AR	.	PLUG		
- 38	1847525	AR	.	HOUSING		
- 39	1847526	AR	.	CONNECTOR		
- 40	1847527	AR	.	CONNECTOR		
- 41	1847528	AR	.	PLUG,UNIVERSAL- 4 CIRCUIT		
- 42	1847529	AR	.	HOUSING,UNIVERSAL- 4 CIRCUIT		
- 43	1847530	AR	.	PLUG		
- 44	1847531	AR	.	HOUSING,CONNECTOR 6 POS MALE		
- 45	1847532	AR	.	CONNECTOR		
- 46	1847533	AR	.	HOUSING,CONNECTOR 9 POS FEMALE		
- 47	1847534	AR	.	PLUG		
- 48	1847535	AR	.	HOUSING,CONNECTOR 12 POS FEMALE		

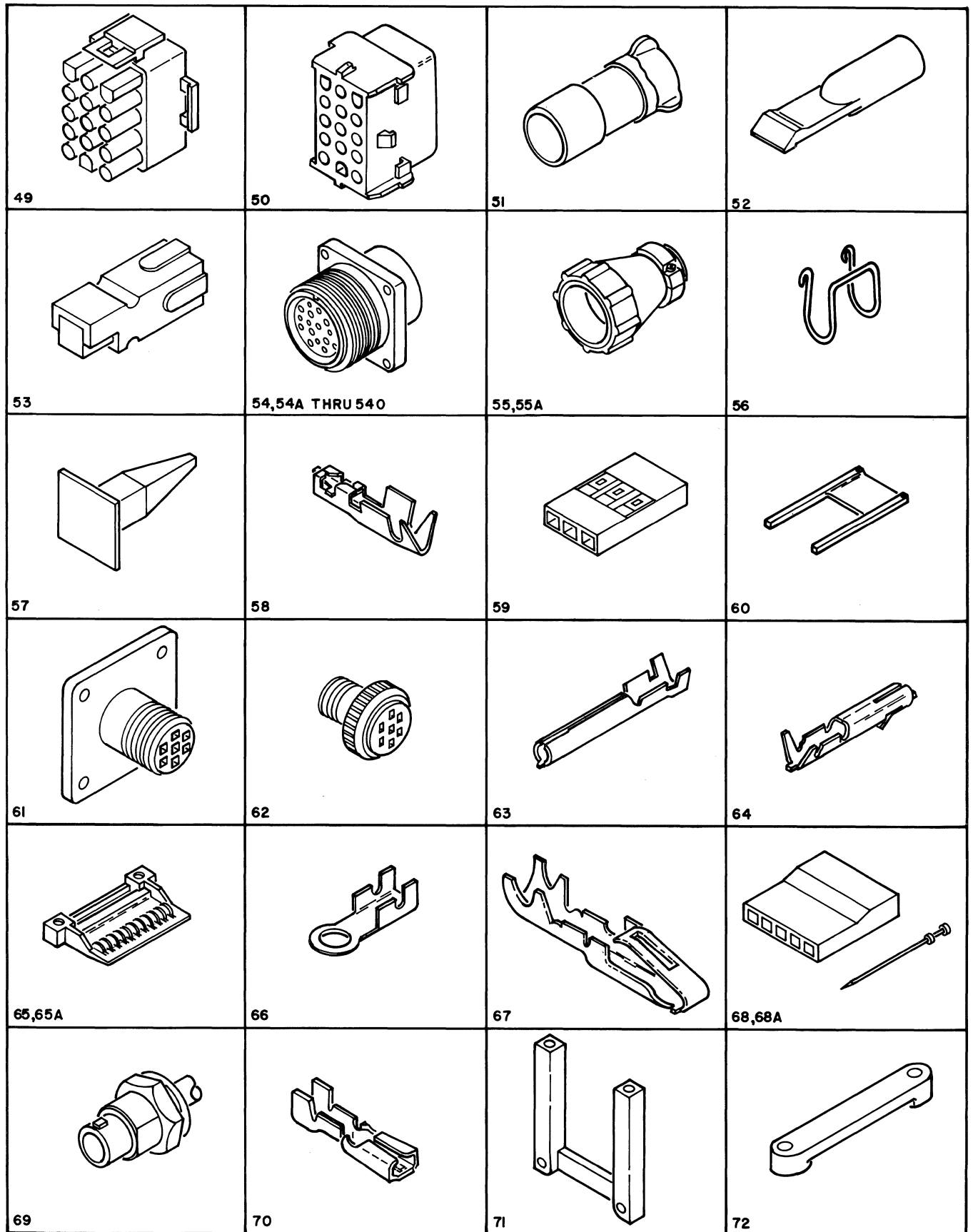


FIGURE 21. CABLE ASSEMBLIES WITH COMPONENT PARTS. SHEET 3 OF 4. INDEX NOS. 49-72. SEE LIST 21.

CABLE ASSEMBLIES WITH COMPONENT PARTS

FIGURE- INDEX NUMBER	PART NUMBER	UNITS PER ASM.	DESCRIPTION			
			1	2	3	4
21 - 49	1847536	AR	.	.	.	PLUG, UNIVERSAL-15 CIRCUIT
- 50	1847537	AR	.	.	.	HOUSING- 15 POS FEMALE
- 51	2103412	AR	.	.	.	CCNECTOR
- 52	2281128	AR	.	.	.	CONTACT
- 53	2281129	AR	.	.	.	HOUSING
- 54	2462054	AR	.	.	.	CCNECTOR- 28 POSITION
- 54A	2462057	AR	.	.	.	CCNECTOR- 28 POSITION
- 54B	4123761	AR	.	.	.	CONNECTOR- 63 POSITION
- 54C	4123762	AR	.	.	.	CONNECTOR- 63 POSITION
- 54D	5578491	AR	.	.	.	CONNECTOR- 28 POSITION
- 55	2462055	AR	.	.	.	CLAMP
- 55A	2745029	AR	.	.	.	STRAIN RELIEF, CLAMP
- 56	2565041	AR	.	.	.	CLIP, SPRING
- 57	2637689	AR	.	.	.	INSERT
- 58	2637691	AR	.	.	.	CCNECTOR, DISCRETE WIRE-22-26 AWG
- 59	2744805	AR	.	.	.	HOUSING- 3 POSITION
- 60	2744811	AR	.	.	.	STRAIN RELIEF
- 61	2745023	AR	.	.	.	CCNECTOR- 7 POSITION
- 62	2745024	AR	.	.	.	CCNECTOR- 7 POSITION
- 63	4123688	AR	.	.	.	TERMINAL, SOCKET
- 64	4123689	AR	.	.	.	TERMINAL, PIN
- 65	4123780	AR	.	.	.	STRAIN RELIEF
- 65A	4124485	AR	.	.	.	STRAIN RELIEF
- 66	4124210	AR	.	.	.	TERMINAL, RING
- 67	5252582	AR	.	.	.	TERMINAL-NO. 18
- 68	5252584	AR	.	.	.	HOUSING- 5 POSITION
- 68A	5252587	AR	.	.	.	HOUSING, CONNECTOR- 9 POS
- 69	5252661	AR	.	.	.	CCNECTOR
- 70	430799	AR	.	.	.	TERMINAL, SLIP ON-24-18 AWG
- 71	5352960	AR	.	.	.	STRAIN RELIEF
- 72	5353922	AR	.	.	.	STRAIN REL

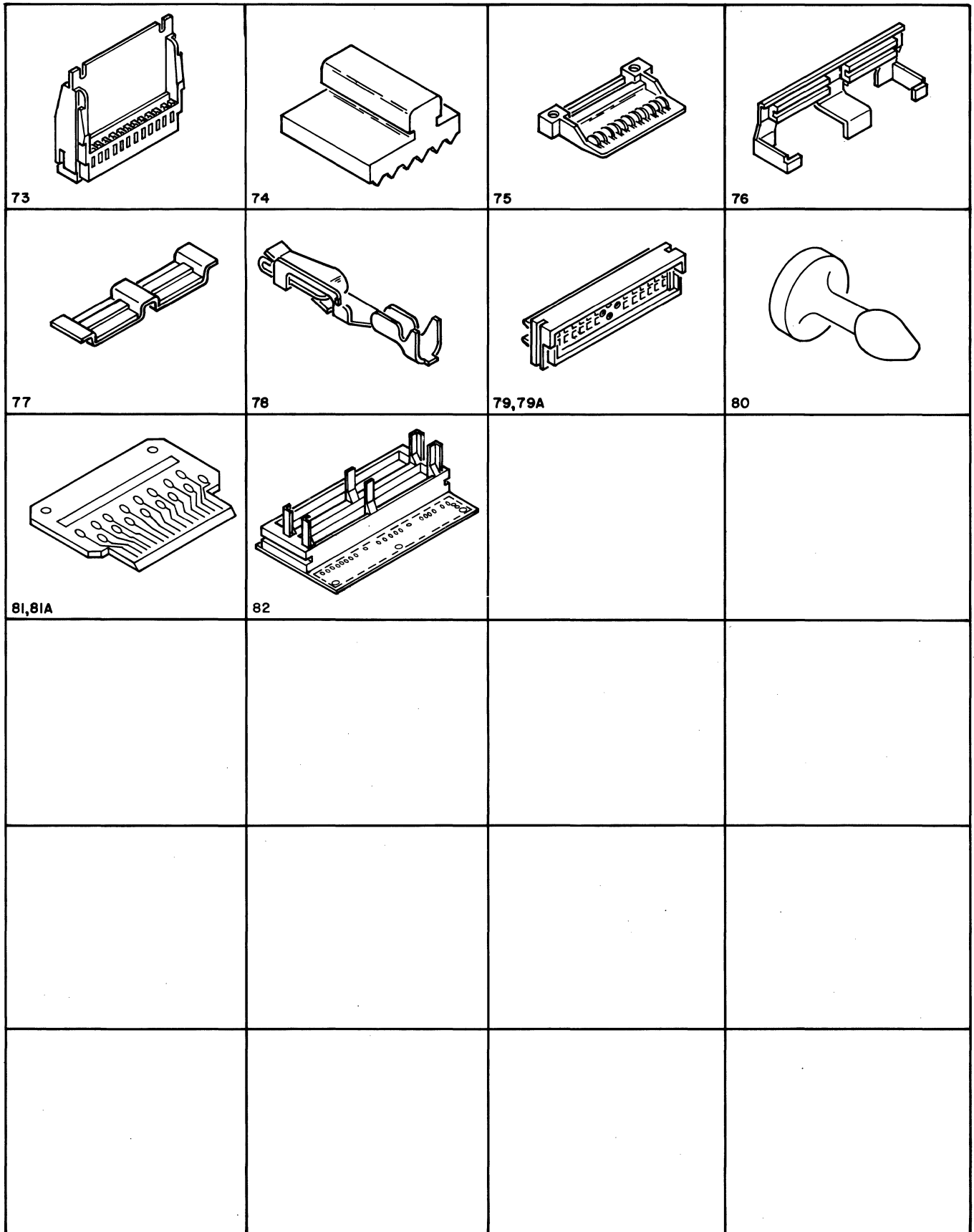


FIGURE 21. CAELE ASSEMBLIES WITH COMPONENT PARTS. SHEET 4 OF 4. INDEX NOS. 73- 82. SEE LIST 21.

CABLE ASSEMBLIES WITH COMPONENT PARTS

FIGURE- INDEX NUMBER	PART NUMBER	UNITS PER ASM.	DESCRIPTION				
			1	2	3	4	
21 - 73	5447741	AR	.	H	O	S	I
- 74	5466393	AR	.	C	L	A	M
- 75	5466397	AR	.	S	T	R	A
- 76	5466467	AR	.	G	U	I	D
- 77	5466468	AR	.	F	R	A	C
- 78	5486851	AR	.	C	C	T	A
- 79	5529190	AR	.	B	L	O	C
- 79A	5529191	AR	.	B	L	O	C
- 80	5578489	AR	.	P	L	U	G
- 81	5800610	AR	.	C	A	R	D
- 81A	5800634	AR	.	C	A	R	D
- 81B	5800660	AR	.	C	A	R	D
- 81C	8254915	AR	.	C	A	R	D
- 81D	8254918	AR	.	C	A	R	D
- 81E	8254919	AR	.	C	A	R	D
- 81F	8565297	AR	.	C	A	R	D
- 81G	8565268	AR	.	C	A	R	D
- 81H	8565269	AR	.	C	A	R	D
- 81J	8565273	AR	.	C	A	R	D
- 81K	8565274	AR	.	C	A	R	D
- 82	838166	AR	.	G	U	I	D

NUMERICAL INDEX

PART NO.	LIST AND INDEX NO.	PART NO.	LIST AND INDEX NO.	PART NO.	LIST AND INDEX NO.	PART NO.	LIST AND INDEX NO.
2903	8 - 11	179966	2 - 50	438548	7 - 32	811417-CONT	9 - 95
3960	2 - 191	186925	7 - 35	438549	9 - 19B		9 - 105B
5528	5 - 12	186950	2 - 211	438567	6 - 26	811427	9 - 149
	5 - 18		3 - 107	471901	2 - 210	811781	10 - 40
5677	5 - 8		4 - 56		3 - 106		12 - 64
	16 - 24	194355	21 - 3		4 - 55		14 - 39
10170	2 - 52	194356	21 - 4	473442	19 - 3	811802	21 - 17
	7 - 12	210883	2 - 53		19 - 21	811804	6 - 23
	13 - 2	218793	2 - 44	475465	9 - 158A		14 - 22A
10295	18 - 20	219743	3 - 57	483651	21 - 11	811825	21 - 6A
11598	5 - 10	223781	2 - 190	483652	21 - 11A	813179	9 - 47
	16 - 16	234341	6 - 11	483673	21 - 12		9 - 83
	17 - 13	236550	7 - 28	483675	21 - 12A	813321	2 - 142
	18 - 13	236915	21 - 5	483677	21 - 12B		3 - 89
22066	13 - 63	236916	21 - 5A	483678	21 - 12C		9 - 144
22478	6 - 5	251015	9 - 63	483679	21 - 12D		10 - 4
25009	2 - 67	257187	7 - 38	483681	21 - 12E		12 - 12
25018	8 - 13		16 - 10	483682	21 - 12F	813681	21 - 18
25627	5 - 6		16 - 12	483683	21 - 12G	813769	21 - 6B
32042	13 - 26		16 - 22	483685	21 - 12H	813801	21 - 19
34512	8 - 10		17 - 7	483686	21 - 12J	813802	21 - 20
38235	6 - 40		17 - 9	483687	21 - 12K	813803	21 - 21
38352	12 - 25		17 - 19	483688	21 - 12L	813804	21 - 22
38442	20 - 23		18 - 7	483689	21 - 12M	815171	2 - 147
38443	20 - 32		18 - 9	483690	21 - 12N		3 - 73
	20 - 40	257189	7 - 9	504879	21 - 13		10 - 8
45690	5 - 9	257970	6 - 9	510316	13 - 33		12 - 16
	11 - 19D	257986	9 - 30	523268	21 - 14	815174	2 - 141
	18 - 22		9 - 33	524519	2 - 27A		3 - 88
47242	16 - 18		18 - 17		2 - 151		9 - 143
	17 - 15		18 - 29		3 - 21		10 - 3
55726	7 - 25	264641	2 - 68		3 - 92		12 - 11
55901	5 - 7		11 - 14	526098	3 - 53	815214	9 - 147
56079	16 - 17	302090	6 - 35		4 - 28	815217	2 - 145
	16 - 25	302131	6 - 34		11 - 25		3 - 72
	17 - 14	307984	1 - 35		13 - 39		9 - 146
	17 - 22		1 - 53	526378	16 - 14		10 - 7
	18 - 14	311167	8 - 5		17 - 11		12 - 15
	18 - 21	317131	2 - 54		18 - 11	815219	2 - 143
56722	16 - 9	317296	10 - 18	528011	12 - 29		3 - 70
	16 - 13		12 - 39		13 - 6		9 - 145
	16 - 21		14 - 18	528012	12 - 28		10 - 5
	16 - 29		21 - 6		13 - 5		12 - 13
	17 - 6	321051	21 - 7	528013	12 - 26	815220	2 - 140
	17 - 10	322065	16 - 28		13 - 3		3 - 87
	17 - 18		18 - 16	528014	12 - 27		9 - 142
	17 - 28		18 - 27		13 - 4		10 - 2
	18 - 6	322266	2 - 56	532393	6 - 42		12 - 10
	18 - 10	322550	2 - 55	555427	8 - 12	815225	2 - 139
	18 - 18		8 - 20	596756	9 - 157		3 - 66
	18 - 28		17 - 27	597038	1 - 72		9 - 141
58207	5 - 22	322551	16 - 8	597066	1 - 74		10 - 1
	6 - 6		16 - 20	598381	10 - 19		12 - 9
81693	6 - 3		17 - 5		12 - 40	815375	2 - 146
	6 - 33		17 - 17		14 - 19	815688	21 - 23
	7 - 5		18 - 5	602721	7 - 20	815879	9 - 26
	7 - 37	322620	17 - 21	651858	7 - 14		9 - 28
	8 - 4	323845	19 - 9	730432	2 - 18	816645	9 - 46
	20 - 21	332747	8 - 8		3 - 41	816649	2 - 144
82725	21 - 1	335970	21 - 8		20 - 27		3 - 71
92050	13 - 38	337193	2 - 51	731626	9 - 105		9 - 145A
92752	2 - 45	342250	19 - 15		13 - 51		10 - 6
109918	6 - 31	353598	1A - 18	736822	8 - 18		12 - 14
110029	7 - 13	353707	18 - 8	738254	21 - 15	816883	21 - 24
120571	8 - 16	357995	21 - 9	738255	21 - 15A	816983	9 - 15
130987	2 - 212	369207	2 - 1	740459	9 - 19A	817388	13 - 55
	3 - 108		2 - 65		21 - 16	817770	21 - 24A
	4 - 57		2 - 115D	740513	2 - 21V	818002	9 - 17
138756	2 - 115B		2 - 208	749059	1 - 14	818101	21 - 25
139766	10 - 16		3 - 99	753317	9 - 23	818268	21 - 26
	12 - 37A		4 - 46	804109	16 - 7	818575	13 - 53
	14 - 16	372422	2 - 111C		17 - 4	818579	9 - 16
150390	3 - 91A	375520	2 - 111B		18 - 4		9 - 111A
150676	7 - 18	375522	2 - 111A	811417	9 - 29	818686	21 - 27
151598	21 - 2	418835	21 - 9A		9 - 32	819030	13 - 36
161351	9 - 65	430798	21 - 10		9 - 48C	819033	9 - 17
170241	7 - 2	430799	21 - 70		9 - 84	819074	13 - 58

PART NO.	LIST AND INDEX NO.	PART NO.	LIST AND INDEX NO.	PART NO.	LIST AND INDEX NO.	PART NO.	LIST AND INDEX NO.
819075	13 - 56	E55272-CONT	3 - 101	1310207	9 - 155	1621170-CONT	2 - 160
819076	13 - 59		4 - 50	1310209	9 - 34		3 - 9
819078	13 - 52	855273	2 - 36	1310234	9 - 115		3 - 45
819251	9 - 6		3 - 101		9 - 117		3 - 50
	9 - 7		4 - 50	1310235	9 - 131		4 - 2
819268	9 - 25	E55275	2 - 36	1310239	2 - 79		4 - 25
	9 - 27		3 - 101	1310249	2 - 70		9 - 12
819282	9 - 22		4 - 50	1310250	2 - 69		9 - 41
819283	9 - 24	855276	2 - 36	1310255	2 - 90		9 - 86
819284	9 - 21		3 - 101		3 - 90		9 - 88
819407	9 - 17		4 - 50	1310257	12 - 72A		9 - 101
819408	9 - 17	855278	2 - 36	1310260	3 - 90		11 - 23
819410	9 - 19		3 - 101	1310275	3 - 89		13 - 8
819412	9 - 15		4 - 50	1310281	2 - 26A		15 - 13
819431	9 - 104	855279	2 - 36	1310288	2 - 132		15 - 28
819441	9 - 18		3 - 101	1310300	2 - 26		20 - 2
819632	9 - 15		4 - 50	1310304	21 - B		20 - 7
819765	13 - 31	855281	2 - 36	1310315	2 - 26		20 - 13
	13 - 32		3 - 101	1310320	10 - 25	1621171	3 - 26
819770	13 - 37		4 - 50	1310321	10 - 39		3 - 28
819778	13 - 27	855282	2 - 34	1310322	10 - 48		3 - 58
819779	13 - 28		3 - 104	1310329	2 - 157		12 - 19B
825557	2 - 90A		4 - 47		10 - REF		20 - 5
	10 - 58	855283	2 - 35	1310330	3 - 56	1621172	2 - 46
	12 - 78		3 - 103		12 - REF		2 - 102
	14 - 57		4 - 48	1310331	12 - 49		2 - 106A
	18 - 31	E55284	2 - 36	1310332	12 - 63	1621173	2 - 105
825559	2 - 9		2 - 39	1310333	12 - 72A		4 - 9
	2 - 57		3 - 100	1310340	10 - 24		15 - 2
	2 - 104		4 - 51		12 - 45	1621174	4 - 7
	3 - 12	E55286	2 - 37		14 - 23		15 - 25
	3 - 23		3 - 102	1310357	21 - B	1621176	9 - 97
	3 - 76		4 - 49	1310360	12 - 79	1621181	2 - 21M
	4 - 6	960746	2 - 36		21 - B		2 - 21U
	11 - 3		3 - 101	1310361	10 - 59		9 - 37
	13 - 12		4 - 50	1310363	21 - B		9 - 92
825880	5 - 26	960766	2 - 37	1310482	19 - 24		9 - 94
	5 - 31		3 - 102	1310483	3 - 59		9 - 99
825927	5 - 1		4 - 49	1310484	1 - REF	1621182	5 - 2
827991	21 - 28	NO NO.	6 - 18	1310488	1 - 42	1621184	2 - 21S
838166	21 - 82		7 - REF	1310782	2 - 36	1621187	9 - 74
839413	10 - 42	1092125	1 - 28		3 - 101	1621190	1 - 2
	12 - 66		1 - 46		4 - 50		1 - 9
	14 - 41		1 - 62	1312080	2 - 99		1 - 76
845762	2 - 62	1127037	21 - 29	1312090	2 - 99		1A - 3
	2 - 115A	1159913	21 - 30	1471018	21 - 31		1A - 6
	3 - 4	1164265	8 - 2	1471027	21 - 32		1A - 8
850070	3 - 29	1177332	10 - 51	1471028	21 - 33		1A - 12
855262	2 - 36		12 - 74	1570563	20 - 31		1A - 16
	3 - 101		14 - 50	1573510	18 - 15		2 - 21
	4 - 50	1310000	9 - 61	1574352	16 - 27		2 - 78
855263	2 - 36	1310001	9 - 57	1574353	16 - 26		2 - 92
	3 - 101	1310002	9 - 2	1589880	21 - 34		2 - 98B
	4 - 50	1310005	3 - 105	1591469	7 - 23		2 - 112
855264	2 - 36	1310006	1 - 57	1621020	2 - 118		2 - 146
	3 - 101	1310007	1 - 11		2 - 198		3 - 25
	4 - 50	1310008	1 - 10	1621021	12 - 7		3 - 74
	4 - 51	1310009	1 - 8	1621034	10 - 60		3 - 78
855265	2 - 36	1310011	3 - 97		12 - 80		3 - 94
	3 - 101		4 - 19		14 - 59		5 - 16
	4 - 50	1310012	3 - 96	1621060	2 - 127		5 - 28
855266	2 - 36		4 - 18		2 - 131		9 - 58
	3 - 101	1310013	3 - 97A		2 - 137		9 - 156
	4 - 50		4 - 52		9 - 71		9 - 141
855267	2 - 36	1310058	19 - 23	1621061	1 - 31		11 - 17
	3 - 101	1310059	2 - 91		1 - 49		13 - 23
	4 - 50	1310161	3 - 40		1 - 65		13 - 65
855268	2 - 36	1310163	1A - 2	1621062	10 - 9		15 - 10
	3 - 101	1310164	1A - 11		12 - 17		15 - 21
	4 - 50	1310165	1A - 10		12 - 22		15 - 23
855269	2 - 36	1310167	1 - 91		12 - 31		19 - 2
	3 - 101	1310168	1 - 92	1621066	20 - 25	1621191	2 - 110
	4 - 50	1310169	1 - 94	1621081	12 - 4		9 - 120
855270	2 - 36	1310170	1 - 90	1621170	2 - 4		9 - 122
	3 - 101	1310171	1 - 95		2 - 21W		9 - 124
	4 - 50	1310201	9 - 153		2 - 73		20 - 35
855272	2 - 36	1310204	9 - 154		2 - 129		20 - 43

PART NO.	LIST AND INDEX NO.	PART NO.	LIST AND INDEX NO.	PART NO.	LIST AND INDEX NO.	PART NO.	LIST AND INDEX NO.
1621192	10 - 21	1621210-CONT	4 - 53	1622344	2 - 21X	1655339	21 - 36
	10 - 33		4 - 60		2 - 106C	1661128	21 - 33A
	12 - 42		5 - 3A		2 - 161	1661129	21 - 32A
	12 - 57		9 - 111		3 - 46	1661130	21 - 33B
	14 - 21		9 - 127		4 - 5	1661131	21 - 31A
	14 - 32		9 - 140		4 - 11	1661132	21 - 31B
1621193	12 - 46A		9 - 148		9 - 89	1673983	2 - 16
	19 - 10		11 - 26		11 - 24		2 - 25
1621194	2 - 12		12 - 20		12 - 8		2 - 64
	2 - 82	1621211	13 - 40		13 - 9		3 - 19
	3 - 15		2 - 48	1622345	15 - 14		11 - 10
	11 - 6		9 - 67		10 - 61		13 - 19
	13 - 15		9 - 107		12 - 81	1673984	9 - 48B
1621195	2 - 10		9 - 138		14 - 60		9 - 105D
	3 - 13		10 - 29	1622346	1 - 32		9 - 105F
	11 - 4		12 - 53		1 - 50	1794401	6 - 21
	13 - 13		14 - 28		1 - 66	1794410	9 - 13
1621197	2 - 21H	1621212	2 - 163		1A- 13	1799206	3 - 3
	2 - 21Q		15 - 18		1A- 17		20 - 26
	2 - 27B	1621215	3 - 2		2 - 13	1799218	3 - 1
1621198	2 - 89	1621230	9 - 133		3 - 16		20 - 24
	3 - 54		9 - 151		3 - 55	1831799	5 - 23
	9 - 92B	1621231	9 - 135		5 - 3	1847524	21 - 37
	11 - 19B	1621295	2 - 180		5 - 30	1847525	21 - 38
	13 - 34	1621308	2 - 115		10 - 10	1847526	21 - 39
	20 - 10	1621333	9 - 152		11 - 7	1847527	21 - 40
1621199	2 - 98A	1621518	2 - 169		11 - 18	1847528	21 - 41
1621210	1 - 71	1621522	2 - 188		12 - 18	1847529	21 - 42
	1 - 84	1621539	2 - 178		12 - 23	1847530	21 - 43
	1 - 93	1621594	2 - 96		12 - 32	1847531	21 - 44
	2 - 21C	1621596	10 - 52		13 - 16	1847532	21 - 45
	2 - 23		12 - 75		13 - 24	1847533	21 - 46
	2 - 32	1621844	14 - 51	1622347	20 - 15	1847534	21 - 47
	2 - 42		11 - 16		2 - 61	1847535	21 - 48
	2 - 58		11 - 21		2 - 85	1847536	21 - 49
	2 - 60	1621846	16 - 2		2 - 115E	1847537	21 - 50
	2 - 71		17 - 2		2 - 156	1896820	20 - 39
	2 - 84		18 - 2		2 - 175	1976194	2 - 36
	2 - 87	1621852	1 - 39		3 - 7		3 - 101
	2 - 95		1 - 56		3 - 19A		4 - 50
	2 - 100	1622302	2 - 106B		4 - 30	2101376	3 - 5
	2 - 122		4 - 10		4 - 59		4 - 58
	2 - 133		15 - 26		5 - 3B		9 - 106
	2 - 135	1622304	2 - 74		9 - 113	2101400	19 - 11
	2 - 138		2 - 98C		11 - 27	2103010	6 - 41
	2 - 148		2 - 167		11 - 29	2103412	21 - 51
	2 - 150		11 - 19C		12 - 5	2125963	1A- 4
	2 - 155		15 - 11		13 - 19A		1A- 9
	2 - 157A		17 - 3		13 - 41		2 - 93
	2 - 159		18 - 3		15 - 16		10 - 22
	2 - 171	1622305	1 - 70	1622348	1 - 86		10 - 34
	2 - 173		9 - 160	1622401	2 - 106D		12 - 43
	2 - 185		10 - 30		4 - 12		12 - 47
	2 - 193		12 - 54	1622402	3 - 48		12 - 58
	2 - 196		14 - 29		10 - 62		14 - 33
	2 - 202		16 - 3		12 - 82	2125974	2 - 49
	2 - 207		19 - 26		14 - 61		2 - 97
	3 - 6	1622306	1 - 88	1622403	2 - 8		2 - 170
	3 - 27		2 - 157B		2 - 14		2 - 174
	3 - 32		2 - 164		2 - 98D		2 - 186
	3 - 34		2 - 182		3 - 11		2 - 189
	3 - 37		4 - 33		3 - 17		2 - 194
	3 - 39		10 - 38		4 - 4		9 - 108
	3 - 60		12 - 62		11 - 2	2127635	6 - 37
	3 - 62		14 - 37		11 - 8	2128748	20 - 9
	3 - 65		15 - 19		13 - 11	2130285	7 - 3
	3 - 81		19 - 14		13 - 17	2154459	1 - 26
	3 - 85	1622316	2 - 5		19 - 18		1 - 44
	3 - 87	1622318	9 - 72		20 - 14		1 - 60
	3 - 91	1622319	3 - 91B	1622404	9 - 68	2172092	12 - 24
	3 - 98	1622320	2 - 181	1622405	1 - 89		13 - 1
	4 - 16		10 - 37		10 - 36	2172166	2 - 106
	4 - 20		12 - 61		12 - 60		4 - 8
	4 - 23		14 - 36		14 - 35	2181005	5 - 14
	4 - 29		19 - 13		19 - 8		5 - 20
	4 - 32	1622332	2 - 103		19 - 12		13 - 57
	4 - 35	1622335	2 - 172	1655337	21 - 35	2181011	7 - 22

PART NO.	LIST AND INDEX NO.	PART NO.	LIST AND INDEX NO.	PART NO.	LIST AND INDEX NO.	PART NO.	LIST AND INDEX NO.
2181052	9 - 64	2733286	9 - 7	4123752	21 - B	4124240	21 - D
2242321	20 - 20	2744256	2 - 21F	4123753	21 - B	4124241	21 - D
2274833	6 - 24	2744805	21 - 59	4123754	21 - B	4124242	21 - D
2277082	2 - 152	2744811	21 - 60	4123755	21 - B	4124247	2 - 15
	3 - 22	2745023	21 - 61	4123761	21 - 54B		3 - 18
	19 - 22	2745024	21 - 62	4123762	21 - 54C		11 - 9
2281128	21 - 52	2745029	21 - 55A	4123765	21 - B		13 - 18
2281129	21 - 53	2766708	9 - 14	4123780	21 - 65		21 - E
2305462	8 - 14	2766709	9 - 14	4123824	21 - C	4124485	21 - 65A
2305523	8 - 19	2992717	2 - 36	4123827	21 - C	4134351	2 - 36
2305526	8 - 9		3 - 101	4123828	21 - C		3 - 101
2305540	6 - 8		4 - 50	4123898	15 - 29		4 - 50
2305553	6 - 17	4014244	2 - 177	4123900	2 - 6	4134352	2 - 36
2305597	6 - 8	4056393	2 - 36		2 - 7		3 - 101
2305598	6 - 20		3 - 101		3 - 10		4 - 50
2305616	6 - 19		4 - 50		11 - 1	4134353	2 - 36
2305632	6 - 11B	4056395	2 - 36		13 - 10		3 - 101
2305644	8 - 6	4056397	2 - 36	4123902	2 - 11		4 - 50
2305646	8 - 15	4056399	2 - 36		3 - 14	4134354	2 - 36
2305647	8 - 7	4056401	2 - 36		11 - 5		3 - 101
2305697	7 - 19	4056403	2 - 36		13 - 14		4 - 50
2305720	6 - 4	4056405	2 - 36	4123903	16 - 30	4134355	2 - 36
2305726	6 - 1	4056407	2 - 36	4123904	16 - 6		3 - 101
2360072	9 - 43	4056409	2 - 36	4123905	16 - 6		4 - 50
	9 - 103	4056411	2 - 39	4123906	16 - 6	4134356	2 - 36
2399086	9 - 13	4056413	2 - 36	4123907	16 - 6		3 - 101
2418180	2 - 36	4056415	2 - 36	4123911	16 - 23		4 - 50
	3 - 101	4056417	2 - 36	4123913	9 - 1	4134357	2 - 36
	4 - 50	4056419	2 - 36		9 - 2		3 - 101
2455575	5 - 13	4056733	2 - 1	4123923	9 - 129		4 - 50
2455576	5 - 19		2 - 65		9 - 132	4134358	2 - 36
2457745	13 - 60		2 - 115C	4123924	9 - 130		3 - 101
	13 - 62		2 - 208	4123925	9 - 134		4 - 50
2462054	21 - 54		3 - 99	4123928	9 - 38	4134359	2 - 36
2462055	21 - 55		4 - 46	4123929	9 - 136		3 - 101
2462057	21 - 54A	4056827	2 - 90	4123930	9 - 137		4 - 50
2462606	7 - 4	4061290	2 - 43	4123931	9 - 139	4134360	2 - 36
2502307	21 - 29A	41C9340	15 - 30	4124004	1 - 57		3 - 101
2514459	1 - 16	4109341	2 - 115C	4124046	1 - 41		4 - 50
2542049	20 - 8	41C9342	3 - 82	4124092	1 - 6	4134361	2 - 36
	20 - 11	4109343	15 - 33	4124093	1 - 5		3 - 101
2542403	3 - 79	4109346	15 - 31	4124094	1 - 4		4 - 50
2549540	2 - 17	41C9347	3 - 57A	4124095	1 - 3	4134362	2 - 36
	3 - 20	41C9354	15 - 34	4124112	21 - C		3 - 101
	11 - 11	41C9359	2 - 75A	4124138	21 - C		4 - 50
	13 - 20		21 - M	4124178	21 - C	4134363	2 - 36
2549780	4 - 37	4109360	2 - 76A	4124179	21 - C		3 - 101
	4 - 40	41C9378	1 - 5A	4124182	21 - C		4 - 50
	4 - 45	4109379	3 - 57B	4124183	21 - C	4134364	2 - 36
	15 - 15	4109388	20 - 41	4124192	21 - C		3 - 101
2561149	20 - 9	4109389	15 - 30	4124193	21 - D		4 - 50
2561584	16 - 26	4109390	2 - 115C	4124194	21 - D	4134365	2 - 36
	18 - 26	41C9392	15 - 33	4124195	21 - D		3 - 101
2561585	16 - 27	4109394	15 - 30	4124196	21 - D		4 - 50
2565041	21 - 56	41C9397	15 - 33	4124197	21 - D	4134366	2 - 36
2574136	20 - 22	4109427	9 - 48D	4124198	3 - 86		3 - 101
2592384	6 - 36	4109434	9 - 48	4124202	21 - D		4 - 50
2637335	13 - 29		9 - 105E	4124203	21 - D	4134367	2 - 36
2637340	13 - 30	4109435	9 - 105C	4124208	2 - 86		3 - 101
2637524	2 - 27	4109436	9 - 48A		3 - 86		4 - 50
2637563	13 - 42		9 - 105A	4124210	21 - 66	4134368	2 - 36
2637565	13 - 49	4109439	2 - 98E	4124211	10 - 63		3 - 101
2637567	13 - 50	41C9452	15 - 32	4124215	2 - 179		4 - 50
2637568	13 - 47	4109453	11 - 19A	4124216	9 - 159	4134369	2 - 36
2637576	13 - 43	4109468	9 - 92A	4124217	9 - 114		3 - 101
2637577	13 - 45	4109471	5 - 29		9 - 115		4 - 50
2637578	13 - 44	41C9478	19 - 16		9 - 116	4134370	2 - 36
2637579	13 - 46		21 - A	4124218	9 - 114		3 - 101
2637580	13 - 48	4109483	12 - 19A		9 - 118		4 - 50
2637669	3 - 24	41C9590	9 - 121	4124219	9 - 119	4134371	2 - 36
	3 - 77	4120541	20 - 33	4124227	2 - 165		3 - 101
	3 - 93	4120543	20 - 34		15 - REF		4 - 50
2637689	21 - 57	4120601	20 - 42	4124228	2 - 165	4134372	2 - 36
2637691	21 - 58	4123644	15 - 24		15 - REF		3 - 101
2731306	9 - 27	4123688	21 - 63	4124231	4 - 15		4 - 50
2732364	12 - 19	4123689	21 - 64	4124232	9 - 110	4134373	2 - 36
2733280	9 - 85	4123750	21 - B	4124233	13 - 25		3 - 101

PART NO.	LIST AND INDEX NO.	PART NO.	LIST AND INDEX NO.	PART NO.	LIST AND INDEX NO.	PART NO.	LIST AND INDEX NO.
4134373-CONT	4 - 50	4178053	6 - 10	4432851-CONT	4 - 36	5562044	7 - 31
4134374	2 - 36	4178056	6 - 11A	4432852	4 - 44	5562046	6 - 14
	3 - 101	4178057	6 - 10	4432854	2 - 80	5562051	7 - 6
4134375	4 - 50	4178058	6 - 39	4432863	15 - 20	5562061	7 - 39
	2 - 36	4178060	7 - 11	4432866	3 - 88	5562062	8 - 21
	3 - 101	4178061	7 - 15	4432871	2 - 21Y	5562064	6 - 12
	4 - 50	4178062	7 - 17	4432872	2 - 21G	5562066	6 - 32
4134376	2 - 36	4178063	7 - 16	4432881	2 - 21B	5562071	6 - 30
	3 - 101	4178067	7 - 18	4432884	2 - 21B	5562081	7 - 36
	4 - 50	4204962	20 - 4	4432886	2 - 21B	5562082	7 - 41
4134580	2 - 36	4236352	8 - 17	4432888	2 - 21B	5562083	7 - 1
	3 - 101	4251623	1 - 22	4432890	2 - 21B	5562084	8 - 3
	4 - 50	4432339	9 - 3	4432892	2 - 21B	5562085	7 - 7
4134581	2 - 36	4432383	2 - 113	4432899	9 - 96	5562086	7 - 33
	3 - 101	4432384	2 - 114	4433023	2 - 38	5562088	7 - 24
	4 - 50	4432386	5 - 4	4433024	2 - 38	5562096	6 - 38
4134582	2 - 36	4432389	2 - 124	4433025	2 - 38	5562098	7 - 10
	3 - 101		2 - 204	4433026	2 - 38	5562099	7 - 34
	4 - 50		4 - 42	4433027	2 - 38	5562102	6 - 25
4134583	2 - 36	4432399	9 - 1B	4433028	2 - 38	5562103	7 - 8
	3 - 101	4432400	21 - E	4521305	2 - 21L	5562115	6 - 13
	4 - 50	4432401	21 - E	4521307	2 - 21P	5562116	6 - 22
4134584	2 - 36	4432402	21 - E	4521357	2 - 21R	5562313	6 - 16
	3 - 101	4432403	21 - E	4521358	2 - 21T	5562328	5 - 15
	4 - 50	4432404	21 - E	4796840	2 - 21N	5562336	5 - 11
4134831	9 - 13	4432405	21 - E	4797001	2 - 21T	5562337	5 - 17
4135783	2 - 36	4432406	21 - E	4797003	2 - 21T	5562338	5 - 21
	2 - 36	4432409	21 - F	4797005	2 - 21T	5562358	2 - 108
	3 - 101	4432410	21 - F	4797367	2 - 21T		4 - 14
	4 - 50	4432411	21 - F	4797370	2 - 21T	5576199	10 - 31
4138473	10 - 50	4432450	2 - 153	5054478	2 - 36		12 - 55
	12 - 73	4432586	14 - 47		3 - 101		14 - 30
	14 - 49	4432587	14 - 38		4 - 50	5576202	10 - 32
4138522	9 - 44	4432588	14 - 24	5214256	20 - 33		12 - 56
	9 - 103A	4432589	12 - 72A	5252506	20 - 34	5576203	12 - 56A
4138523	9 - 42	4432590	2 - 111	5252582	21 - 67	5576205	14 - 31
	9 - 102	4432591	10 - 56	5252584	21 - 68	5576207	12 - 46
4138524	9 - 40		14 - 55	5252587	21 - 68A	5576209	10 - 13
	9 - 100	4432592	10 - 57	5252645	2 - 47		12 - 35
4138527	9 - 20		12 - 86	5252661	21 - 69		14 - 13
4138552	9 - 13		14 - 56	5252823	17 - 12	5576219	10 - 41
4138559	9 - 39	4432593	10 - 55	5252824	16 - 15		12 - 85
	9 - 99A		12 - 84	5252857	18 - 12		14 - 40
4138564	9 - 15		14 - 54	5271288	2 - 128	5576244	21 - G
4138565	9 - 36	4432594	12 - 85		20 - 6	5576245	10 - 20
	9 - 91	4432595	12 - 1	5276701	20 - 12		12 - 41
4138577	9 - 35		12 - 83	5298109	13 - 54		14 - 20
	9 - 90		12 - 87	5349929	6 - 43	5576247	2 - 82
4138580	9 - 45	4432600	3 - 56	5352960	21 - 71	5576259	14 - 62
	9 - 103B		12 - REF	5353922	21 - 72	5576260	10 - 11
4138587	9 - 103A	4432629	12 - 63	5357144	17 - 26		10 - 11
4138593	9 - 10	4432630	13 - 64	5357145	17 - 25		12 - 33
	9 - 11		14 - REF	5447741	6 - 29		14 - 11
4139582	9 - 28	4432674	12 - 44		21 - 73	5576261	12 - 63
4145588	13 - 61		14 - 22	5466393	6 - 28	5576264	10 - 26
4150496	9 - 19	4432775	2 - 21Z		21 - 74		12 - 50
4150776	9 - 18	4432777	21 - F	5466397	6 - 27		14 - 25
4151647	2 - 84	4432780	21 - F		21 - 75	5576265	10 - 27
	3 - 84	4432784	21 - F	5466467	21 - 76		12 - 51
4151648	3 - 84	4432785	21 - G	5466468	21 - 77		14 - 26
4151656	4 - 21	4432799	2 - 116	5468305	17 - 25	5576266	10 - 28
4151659	3 - 38	4432800	2 - 162	5468306	17 - 26		12 - 52
4151668	4 - 21		17 - REF	5468318	16 - 19		14 - 27
4151669	4 - 22	4432802	2 - 201		17 - 16	5576267	10 - 35
4155177	3 - REF	4432803	2 - 121	5468388	18 - 26		12 - 59
4155181	9 - 162		4 - 39	5486851	21 - 78		14 - 34
4155354	21 - E	4432810	2 - 162	5501995	9 - 59	5576268	10 - 53
4155374	21 - E		17 - REF	5501997	9 - 60		12 - 76
4178009	5 - 5	4432811	11 - 28	5529190	21 - 79		14 - 52
	6 - REF	4432813	11 - 13	5529191	21 - 79A	5576271	12 - 48
4178011	5 - 5	4432814	12 - 3	5562019	8 - 1	5576272	12 - 49
	6 - REF	4432815	2 - 109	5562020	6 - 2	5576281	10 - 15
4178027	6 - 15	4432847	19 - 6	5562022	6 - 7		12 - 37
	8 - REF		19 - 7	5562035	7 - 26		14 - 15
4178035	7 - 27	4432848	2 - 98	5562037	7 - 30	5576282	10 - 43
4178047	6 - 12	4432849	2 - 24	5562038	7 - 21		12 - 68
4178052	6 - 11A	4432851	3 - 80	5562041	7 - 29		14 - 42

PART NO.	LIST AND INDEX NO.	PART NO.	LIST AND INDEX NO.	PART NO.	LIST AND INDEX NO.	PART NO.	LIST AND INDEX NO.
5576283	10 - 49	5578672-CONT	16 - REF	6831342	2 -120	6831489	21 - M
	12 - 72B	5578696	9 -128		2 -200	6831490	21 - M
	14 - 48	5578703	9 -126		4 - 38	6831491	21 - M
5576284	10 - 45	5578810	2 -176	6831343	2 -206	6831492	21 - M
	12 - 70		9 - REF	6831344	2 -134	6831493	19 - 16
	14 - 44	5578824	2 -184	6831345	2 -195		21 - A
5576285	10 - 17	5578827	9 - 73	6831346	2 -136	6831494	19 - 16
	12 - 38		9 - 98	6831347	2 -130		21 - A
	14 - 17	5578829	9 -125	6831348	2 -126	6831495	19 - 16
5576286	10 - 12	5578846	21 - G	6831349	2 -123	6831496	19 - 16
	12 - 34	5578847	21 - G		2 -203	6831497	19 - 4
	14 - 12	5578870	21 - G		4 - 41	6831498	19 - 5
5576287	10 - 44	5578871	21 - G	6831350	9 - 93	8112294	2 - 36
	10 - 47	5578873	21 - G	6831351	9 -159		3 -101
	12 - 69	5578876	21 - G	6831352	15 - 29		4 - 50
	12 - 72	5578879	21 - H	6831353	9 -159	8254915	21 - 81C
	14 - 43	5578880	21 - H	6831354	9 - 1A	8254918	21 - 81D
	14 - 46	5578881	21 - H	6831355	2 -176	8254919	21 - 81E
5576288	10 - 46	5578882	21 - H		9 - REF	8267564	2 - 86
	12 - 71	5578884	21 - H	6831356	9 - 19C	8330628	2 - 36
	14 - 45	5578888	21 - H	6831357	2 -176		3 -101
5576289	10 - 14	5578889	21 - H		9 - REF		4 - 50
	12 - 36	5578890	21 - H	6831358	9 -162	8330637	9 - 9
	14 - 14	5578899	9 -112	6831361	2 -117		9 - 10
5576294	12 - 88	5578904	5 - 25	6831364	3 - 52	8330638	9 -109
5576296	10 - 54	5578919	21 - H	6831365	2 -157	8330641	15 - 9
	12 - 77	5578920	21 - H		11 - REF	8330643	1 - 58
	14 - 53	5578922	21 - J	6831366	11 - 20	8330644	1 - 12
5576379	2 - 36	5578931	21 - J	6831367	19 - 17	8330645	1 - 58
	3 -101	5578932	21 - J		19 - 20	8330646	1 - 12
	4 - 50	5578933	21 - J	6831368	19 - 1	8330647	1 - 58
5578478	21 - G	5578934	21 - J	6831369	19 - 25	8330648	1 - 12
5578479	21 - G	5578939	21 - J	6831383	4 - REF	8330649	1 - 58
5578489	21 - 80	5700484	7 - 40	6831411	2 -165	8330650	1 - 12
5578491	21 - 54D	5800610	21 - 81		15 - REF	8330651	1 - 58
5578511	16 - 4	5800634	21 - 81A	6831412	2 -165	8330652	1 - 12
	17 - 23	5800660	21 - 81B		15 - REF	8330653	1 - 58
	18 - 24	5802225	21 - J	6831421	11 - 19	8330654	1 - 12
5578512	16 - 5	5865022	10 - 23	6831425	21 - J	8330658	3 - 49
	17 - 24	5896531	13 - 35	6831426	21 - K		4 - 24
	18 - 25	5896697	16 - 11	6831427	21 - K	8330659	3 - 51
5578545	3 - 31		17 - 8	6831428	21 - K		4 - 26
5578546	3 - 33	5896699	9 -150	6831430	21 - K	8330660	1 - 21
5578548	12 - 30	5922113	10 - 42A	6831431	14 - 58	8330661	1 - 68
5578549	3 - 63		12 - 67		21 - K	8330662	1 - 21
5578550	3 - 61		14 - 41A	6831432	21 - K	8330663	1 - 68
5578551	3 - 36	5966292	2 - 36	6831440	2 - REF	8330664	1 - 21
5578556	3 - 64		3 -101	6831442	2 - 83	8330665	1 - 68
5578557	1 - 75		4 - 50		5 - REF	8330666	1 - 21
5578567	2 -158	6003010	2 - 36	6831443	2 - 83	8330667	1 - 68
	4 - 34	6003011	2 - 39		5 - REF	8330668	1 - 21
5578578	1 - 7	6003012	2 - 36	6831445	2 - 63	8330669	1 - 68
5578590	1A- REF	6003013	2 - 36		20 - REF	8330670	1 - 21
5578591	1A- 5		3 -101	6831446	2 - 63	8330671	1 - 68
5578592	1A- 15		4 - 50		20 - REF	8330678	1A- 1
5578593	1A- 7	6004802	2 - 33	6831458	2 - 94	8330683	2 - 21D
5578597	1A- 19	6831310	2 -209		19 - REF	8330684	2 - 21D
5578609	1A- 14	6831311	2 - 86	6831460	2 - 94	8330685	2 - 21D
5578611	13 - 66	6831312	5 - 27		19 - REF	8330686	2 - 21D
5578623	1 - 1	6831316	2 - 59	6831462	2 - 94	8330687	2 - 21D
5578637	5 - 24	6831317	2 - 41		19 - REF	8330688	2 - 21D
5578645	2 -149	6831318	1 - 87	6831464	2 - 94	8330691	2 -107
5578646	12 - 21	6831319	1 - 85		19 - REF		4 - 13
5578663	16 - 1	6831321	13 - 22	6831471	4 - REF	8330692	2 -101
	18 - 1	6831326	11 - 15	6831473	2 - 88		4 - 3
5578666	2 - 2	6831327	4 - 27	6831475	21 - K	8330704	17 - 29
	2 - 3	6831330	4 - 54	6831476	21 - K	8330705	17 - 20
	3 - 8	6831332	20 - 44	6831477	21 - K	8330707	17 - 1
	4 - 1	6831333	2 - 6	6831478	21 - K	8330708	18 - 23
	11 - 22	6831334	2 - 20	6831479	21 - L	8330709	18 - 30
	12 - 6	6831336	4 - 31	6831480	21 - L	8330711	3 - 47
	13 - 7		13 - REF	6831481	21 - L		18 - REF
5578667	9 - 87	6831338	2 - 22	6831482	21 - L	8330712	3 - 47
	15 - 12	6831339	2 - 81	6831483	21 - L		18 - REF
5578671	15 - 17	6831340	2 -205	6831484	21 - L	8330713	18 - 19
	16 - REF	6831341	2 -125	6831485	21 - L	8330718	9 -123
5578672	15 - 17		4 - 43	6831486	21 - L	8482247	21 - M

PART NO.	LIST AND INDEX NO.	PART NO.	LIST AND INDEX NO.	PART NO.	LIST AND INDEX NO.	PART NO.	LIST AND INDEX NO.
8482651	2 - 28	8483491	1 - 77				
8482681	2 - 31	8483492	1 - 81				
8482691	2 - 31	8483493	1 - 79				
8482757	2 - 77	8483494	1 - 83				
8482759	2 - 76	8483495	1 - 69				
	21 - M	8483497	1 - 80				
8482760	2 - 75	8483503	9 - 66				
8482761	2 - 72	8483504	9 - 69				
8483012	9 - 49	8483505	15 - 27				
	15 - 1	8483510	15 - 22				
8483040	2 - 119	8483524	2 - 187				
	2 - 199	8483728	2 - 168				
8483089	9 - 62	8565268	21 - 81G				
8483091	9 - 70	8565269	21 - 81H				
8483096	2 - 192	8565273	21 - 81J				
8483160	20 - 1	8565274	21 - 81K				
8483163	20 - 36	8565297	21 - 81P				
8483165	20 - 37						
8483169	20 - 38						
8483171	20 - 28						
8483173	20 - 29						
8483177	20 - 30						
8483180	19 - 19						
8483343	1 - 34						
	1 - 52						
8483345	1 - 27						
	1 - 45						
	1 - 61						
8483347	1 - 6A						
	1 - 10A						
	1 - 13						
	1 - 33						
	1 - 51						
	1 - 67						
	2 - 19						
	2 - 40						
	2 - 154						
	2 - 183						
	3 - 30						
	3 - 35						
	3 - 42						
	3 - 95						
	4 - 17						
	9 - 158						
	11 - 12						
	12 - 2						
	13 - 21						
	20 - 3						
8483352	1 - 30						
	1 - 48						
	1 - 59						
	1 - 64						
8483353	1 - 29						
	1 - 47						
	1 - 63						
8483355	1 - 38						
	1 - 55						
8483356	1 - 37						
	1 - 54						
8483361	1 - 18						
8483368	1 - 15						
8483369	1 - 19						
8483370	1 - 17						
8483371	1 - 20						
8483375	9 - 31						
8483376	9 - 8						
8483444	1 - 73						
8483454	1 - 23						
8483455	1 - 24						
8483469	1 - 36						
8483482	1 - 36						
8483486	1 - 40						
8483487	1 - 40						
8483488	1 - 25						
	1 - 43						
8483489	1 - 78						
8483490	1 - 82						



4341 Processor
Parts Catalog
Order No. S124-0152-1

**READER'S
COMMENT
FORM**

This form may be used to communicate your views about this publication. They will be sent to the author's department for whatever review and action, if any, is deemed appropriate. Comments may be written in your own language; use of English is not required.

IBM may use or distribute any of the information you supply in any way it believes appropriate without incurring any obligation whatever. You may, of course, continue to use the information you supply.

Note: *Copies of IBM publications are not stocked at the location to which this form is addressed. Please direct any requests for copies of publications, or for assistance in using your IBM system, to your IBM representative or to the IBM branch office serving your locality.*

- Did you find the part you needed in the catalog?
- If you *did not* find the part in the catalog, how did you obtain the correct part number?
- What parts were you unable to find? (Include numbers if you were able to determine them by an alternate means.)
- If you *did* find the part you needed in the catalog, but had unusual difficulty locating it, please send us the part number and page number. Include a description of your difficulty if you wish.

Please contact your local IBM branch office for address and subscription service changes.

Your comments:

Note: *Staples can cause problems with automated mail sorting equipment. Please use pressure sensitive or other gummed tape to seal this form. If you would like a reply, please supply your name and address on the reverse side of this form.*

Thank you for your cooperation. No postage stamp necessary if mailed in the U.S.A. (Elsewhere, an IBM office or representative will be happy to forward your comments.)

Reader's Comment Form

Cut or Fold Along Line

Fold and Tape

Please Do Not Staple

Fold and Tape



NO POSTAGE
NECESSARY
IF MAILED
IN THE
UNITED STATES

BUSINESS REPLY MAIL

FIRST CLASS PERMIT NO. 40 ARMONK, N.Y.

POSTAGE WILL BE PAID BY ADDRESSEE:

International Business Machines Corporation
Department K10
P.O. Box 6
Endicott, New York 13760



Fold

Fold

If you would like a reply, *please print*:

Your Name _____

Company Name _____ Department _____

Street Address _____

City _____

State _____ Zip Code _____

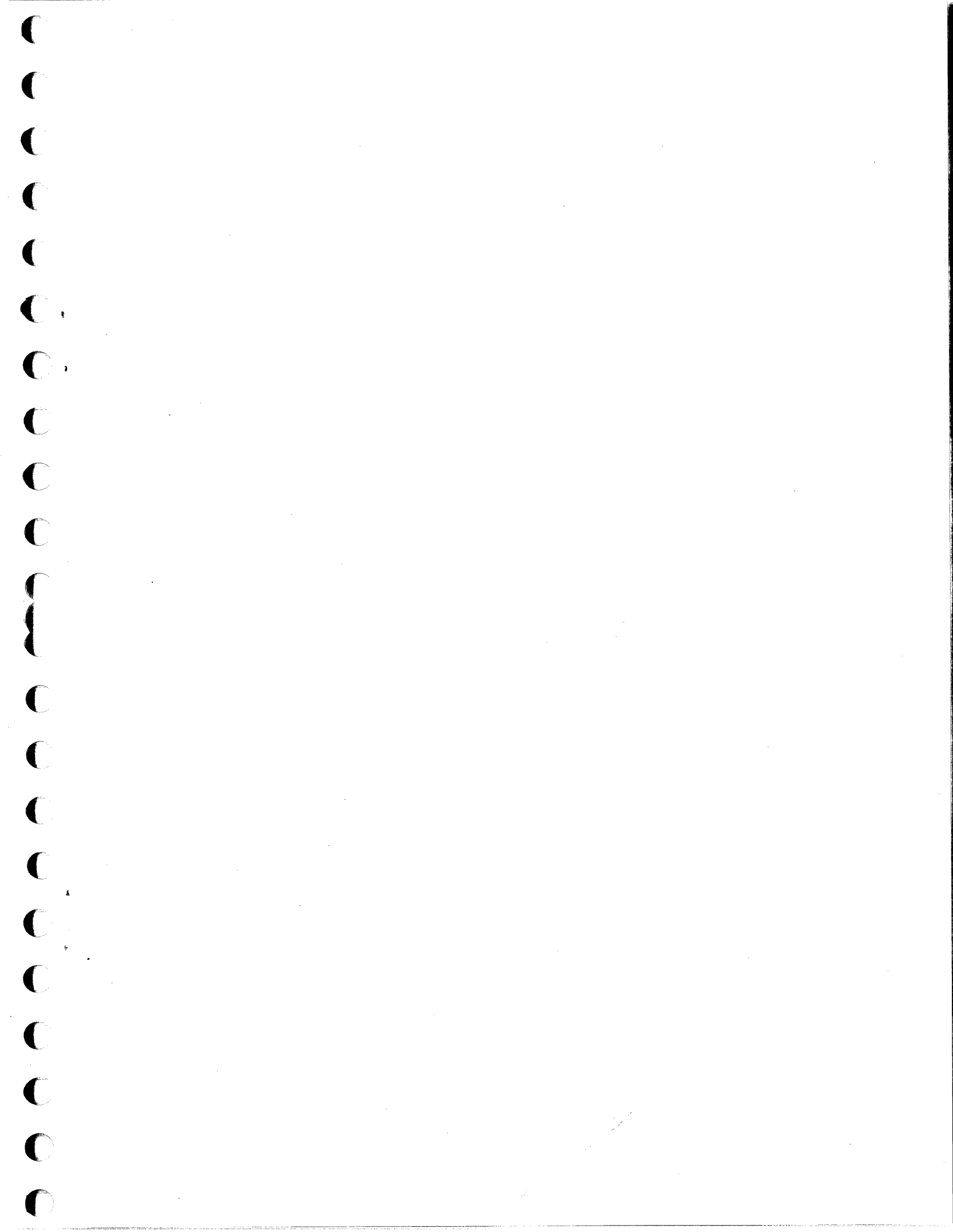
IBM Branch Office serving you _____



International Business Machines Corporation
Data Processing Division
1133 Westchester Avenue, White Plains, N. Y. 10604

IBM World Trade Americas/Far East Corporation
Town of Mount Pleasant, Route 9, North Tarrytown, N. Y., U. S. A. 10591

IBM World Trade Europe/Middle East/Africa Corporation
360 Hamilton Avenue, White Plains, N. Y., U. S. A. 10601



4341

4341

Cut

Fold

Use clear acetate tab
obtained locally.

S124-0152-1



International Business Machines Corporation
Data Processing Division
1133 Westchester Avenue, White Plains, N. Y. 10604

IBM World Trade Americas/Far East Corporation
Town of Mount Pleasant, Route 9, North Tarrytown, N. Y., U. S. A. 10591

IBM World Trade Europe/Middle East/Africa Corporation
360 Hamilton Avenue, White Plains, N. Y., U. S. A. 10601

4341 Processor (PC) Printed in U.S.A. S124-0152-1